

Claybrook.

# BOURNBROOK BATH TAP

Wall Mounted 3 Hole Bath Mixer with Levers

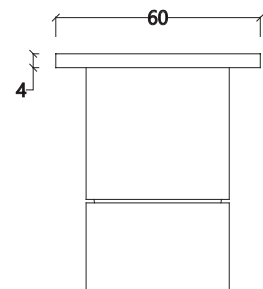
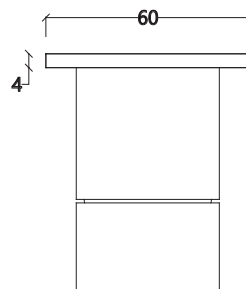
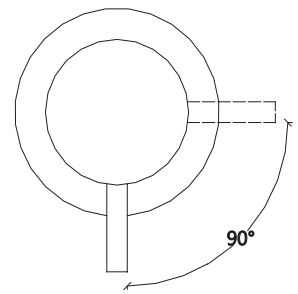
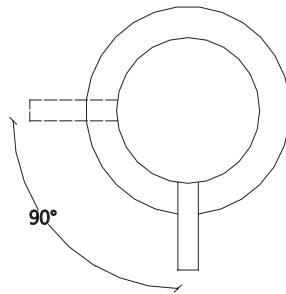
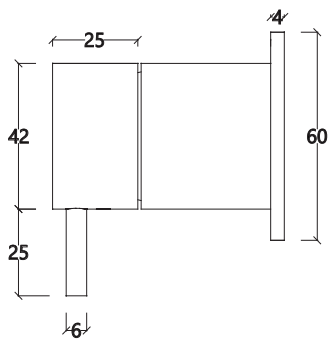
## TECHNICAL FEATURES

- Brushed Brass
- Matt Black
- Chrome
- Brushed Steel
- Matt White
- Polished Brass



## TECHNICAL DRAWING (MEASUREMENTS IN MM)

\*  
\* THE DIMENSIONS MIGHT VARY SLIGHTLY FROM ONE FINISH TO THE OTHER.



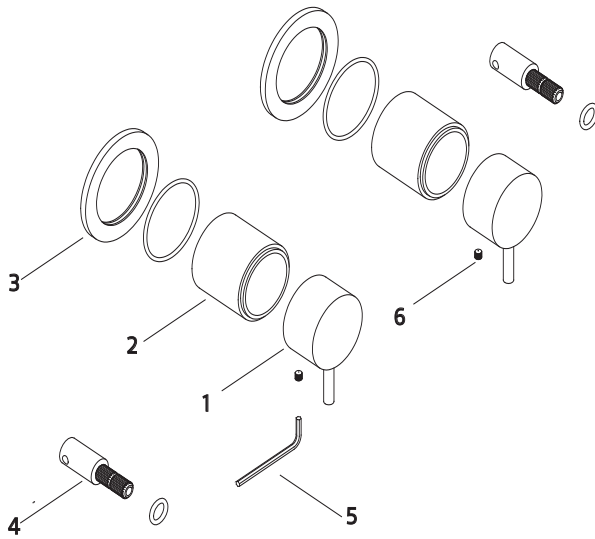
If you require any further assistance regarding specification data and technical advice please contact us at [enquiries@claybrookstudio.co.uk](mailto:enquiries@claybrookstudio.co.uk)



# BOURNBROOK BATH TAP

## Installation, Warranty and Care

FOR ASSEMBLY FOLLOW THE INDICATIONS OF THE DRAWING



### INSTALLATION RECOMENDATIONS

Before installing a tap, it is good to rinse the supply pipes to remove all residues. We also recommend installing the taps with a filter. The installation of the tap must be done with the surface clean and dry. To perform the water pressure test, the taps must be open.

### CLEANING AND MAINTENANCE

Cleaning must be done with liquid soap and water. Do not use liquid detergents containing abrasive or acidic substances, abrasive sponges or disinfectants. Incorrect cleaning may permanently ruin the surface of the taps. On colour finishings, do not use products containing alcohol, acetone and other solvents.

### WARRANTY

Claybrook Studio guarantee all its products in case of manufacturing defects, as follows:

5 year warranty:

- Fusion or porosity defects;
- Cartridge defects (the wear of this component depends on water quality);
- Chrome plating defects (defects caused by maintenance errors are excluded, please refer to cleaning instructions).

1 year warranty:

- O-rings or fittings defects.
- Defects on remaining finishes.

In order to use this warranty, please keep the invoice and attach it to this document.

Defective products must be brought to the attention of 'Claybrook Studio', with shipping expenses borne by the sender – this warranty document and a copy of the purchase invoice must be attached to the package – where the products will be promptly replaced and send back with shipping expenses borne by 'Claybrook Studio'.

Non-compliance of this conditions will render the warranty null and void.

This warranty excludes any liabilities on the consequences arising from use or installation defects of 'Claybrook Studio' products.

### TECHNICAL DATA

| REFERENCE | DESCRIPTION           |
|-----------|-----------------------|
| 01        | HANDLE                |
| 02        | HOOD                  |
| 03        | PLATE                 |
| 04        | INCREASE FOR HEADWORK |
| 05        | ALLEN KEY             |
| 06        | ALLEN SCREW           |

If you require any further assistance regarding specification data and technical advice please contact us at [enquiries@claybrookstudio.co.uk](mailto:enquiries@claybrookstudio.co.uk)

