

Claybrook.

BOURNBROOK SHOWER

Rough Parts for 2 Way Thermostatic Concealed Shower for
Cross Heads and Levers

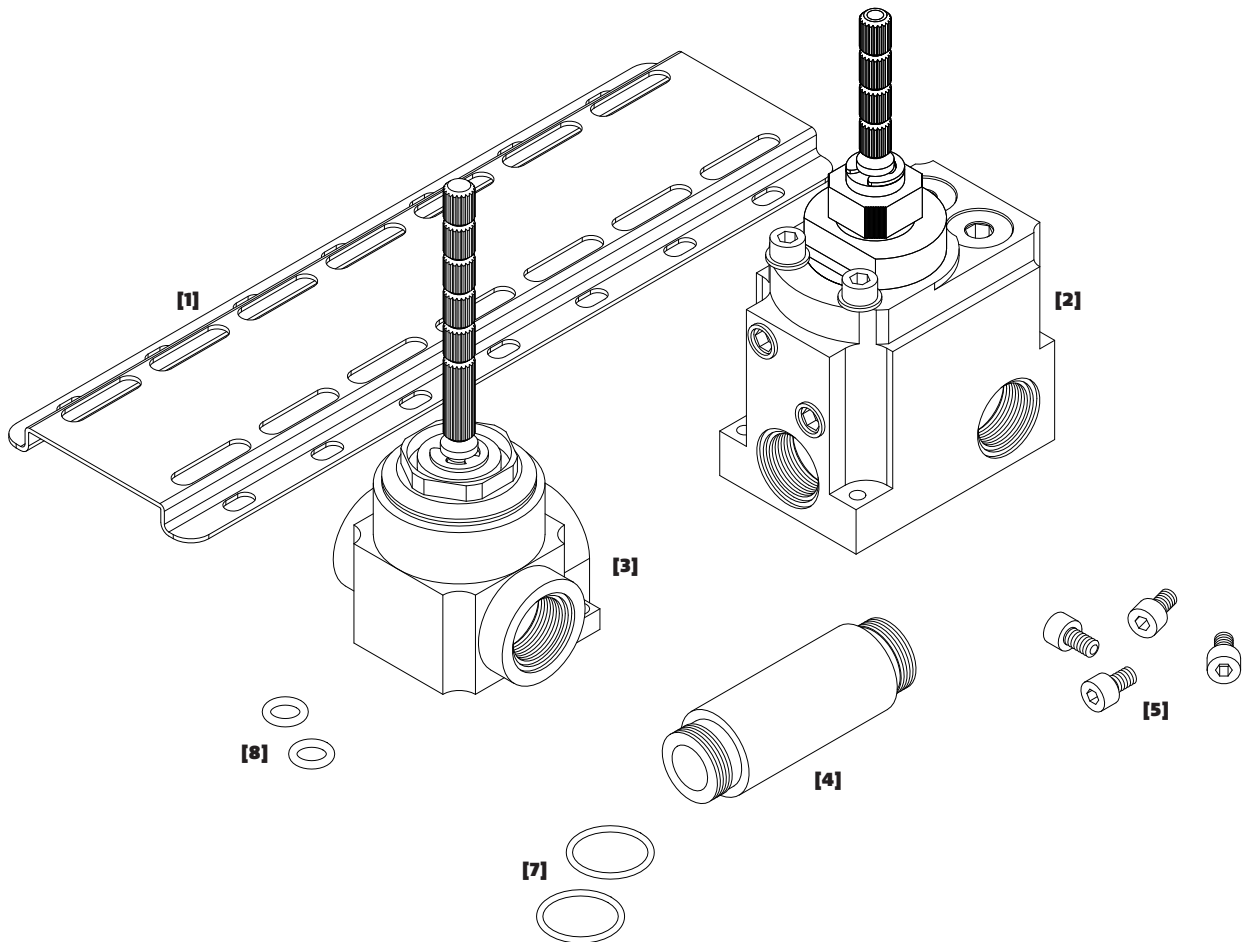
WALL MOUNTED THERMOSTATIC
SHOWER MIXER WITH 2 EXITS DIVERTER

BODY MATERIAL

BRASS

WORKING PRESSURE

0.5 to 5 bar



Claybrook.

BOURNBROOK SHOWER

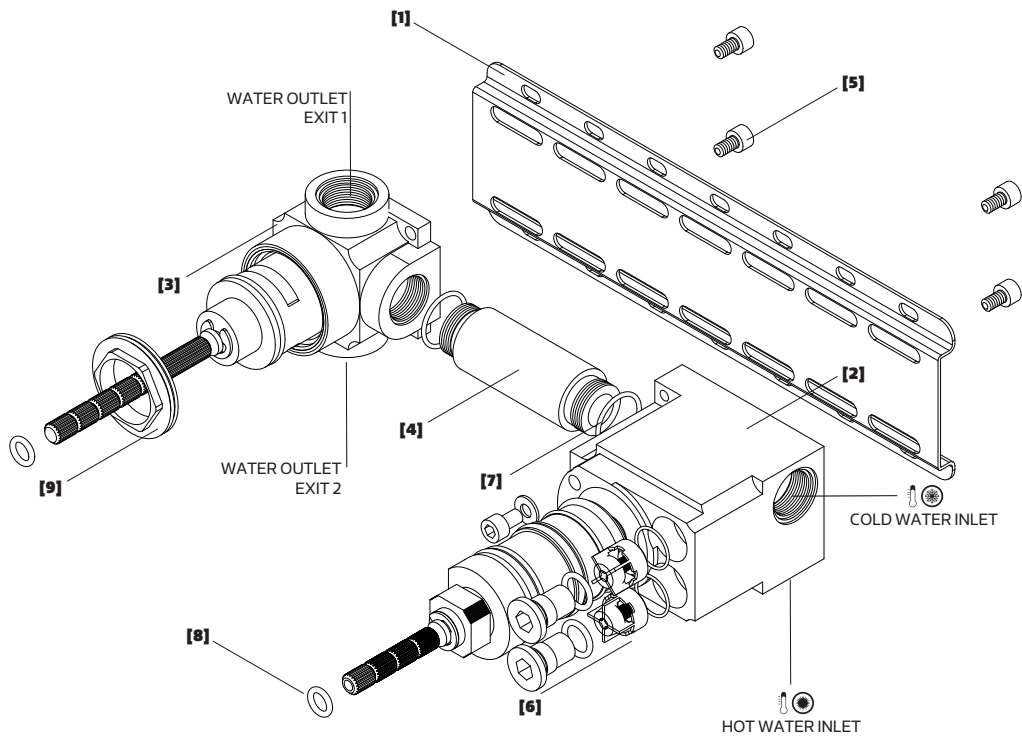
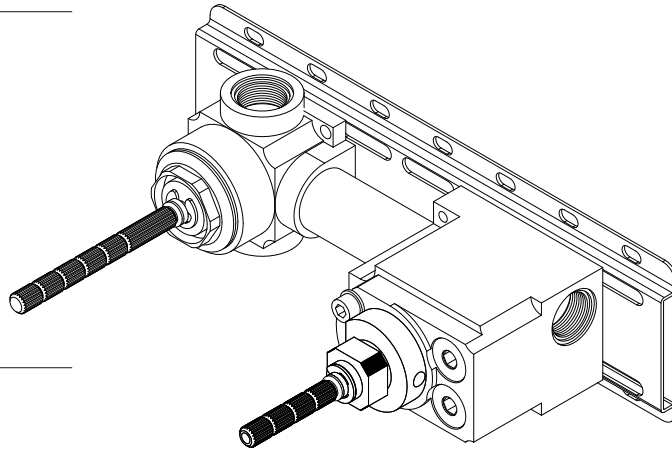
Rough Parts for 2 Way Thermostatic Concealed Shower with Cross Heads and Levers

CONTENTS

- [1] FIXING PLATE
- [2] THERMOSTATIC VALVE SEAT
- [3] 2 WAYS DIVERTER
- [4] CONNECTION PIPE
- [5] FIXING SCREW
- [6] CHECK VALVE
- [7] CONNECTION PIPE O RING
- [8] HEADWORKS O RING
- [9] FASTENING NUT

BUILT-IN

- [X] MIN. 94MM/MÁX. 113MM



WATER SUPPLY

FLUSH WATER SUPPLY LINES THOROUGHLY BEFORE INSTALLING THE TAP. DO NOT ALLOW DIRT, TEFLON TAPE OR METAL PARTICLES TO ENTER THE TAP. SHUT OFF THE WATER SUPPLY BEFORE INSTALLATION. GRAVITY-FED SYSTEMS MAY REQUIRE A BOOSTER PUMP TO ACHIEVE THE OPTIMAL OPERATING PRESSURE.

BEFORE INSTALLATION

CHECK FOR HIDDEN EXISTING PIPEWORK AND ELECTRICAL CABLES BEFORE DRILLING THE WALL.

MAINTENANCE

WE RECOMMEND ONLY WARM SOAPY WATER IN THE CLEANING OF THIS PRODUCT. DO NOT USE LIQUID DETERGENTS CONTAINING ABRASIVE OR ACIDIC ADDITIVES. THE USE OF THIS TYPE OF PRODUCT MAY PERMANENTLY DAMAGE THE FINISH

