



Claybrook.

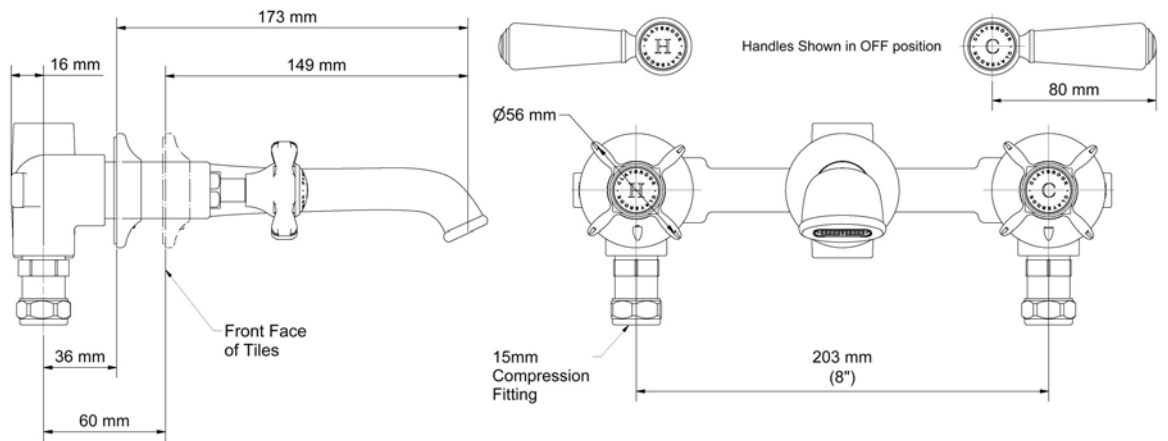
3 Hole Wall Mounted Vessel Filler

Customer Installation and Homeowner Guide

PRODUCT CODE	HANDLE	FINISH
TAP-ALB-BAS-3TW-CHX	X	Chrome
TAP-ALB-BAS-3TW-PNX	X	Nickel
TAP-ALB-BAS-3TW-BNX	X	Brushed
TAP-ALB-BAS-3TW-CHWL	Lever	Chrome
TAP-ALB-BAS-3TW-PNWL	Lever	Nickel
TAP-ALB-BAS-3TW-BNWL	Lever	Brushed

Specification Data

Minimum flow pressure :	0.5 Bar (7.25 PSI)
Recommended flow pressure :	1 - 5 bar (14.5 - 72.5 PSI) For pressure greater than 5 bar fit a pressure reducing valve
Maximum operating pressure :	10 bar (145 PSI)
Test pressure :	10 bar (145 PSI)
Maximum water temperature :	80°C (176°F)



Installation Guide

1. Remove the **handle assemblies** from the valve rough. Unscrew the **handle assemblies** repeating for both Hot and Cold handles. Using the supplied Allen keys remove the **spout** and **wall flange** from the **valve rough**, then place the card plaster guards over the cartridges and the spout connection on the rough valve.
2. Determine where the finished wall location will be. **THIS MEASUREMENT IS VERY IMPORTANT!** Note: Pay particular attention to the roughing dimensions in the drawing above and make reference to the minimum 36mm and max 60mm roughing depth.
3. Installing the valve rough. Mount the valve rough to the installed pipe work using the 15mm compression fittings. Please ensure that the HOT water supply is connected to the left inlet and the COLD water supply is connected to the right inlet. (refer to diagram above) **DO NOT SOLDER DIRECTLY TO THE VALVE BODY.** With the valves closed, open the water supply lines and check for leaks. Turn off the water supplies and finish wall construction.
4. Installing the **spout**. Remove plaster guards. Ensure the sealing **O' ring** on the **spout** connection is not damaged. (replacement **O' ring** available within fixing pack). With the **wall flange** in place over the **spout**, push the **spout** over the spout connection piece. Secure in correct position and orientation by tightening the grub screw (using the larger Allen Key provided in the fixing pack). Do not replace the covering flange at this stage until the product has been tested for leaks (see step 6).
5. Installing the handles. Ensure the covering **wall flanges** are in place over the sleeves of the **valve covers** before assembly. Slide the **handle assemblies** on to the valve stems and tighten by screwing clockwise. Please make sure the handles are in the correct orientation (refer to above diagram), lever handles should be positioned so that they are horizontal in the off position. Slide the **wall flanges** and secure tightly against the face of the tile by tightening the grub screw (using the smaller Allen Key provided in the fixing pack). A sealing foam washer has already been applied to the back of the **wall flanges** to create a water tight seal.
6. **TEST INSTALLED PRODUCT FOR LEAKS.** With handles in off position turn on water supplies and check for leaks. Turn on both handles to flush water line thoroughly removing any debris. Turn handles off.
7. Finally place the **wall flange** against the face of the tile over the **spout** and secure in place by tightening the grub screw (using the smaller Allen Key provided in the fixing pack).

Packing List

Description	Qty
Wall Valve Rough	1
Hot and cold handle assemblies complete with wall flanges (attached to Rough)	2
Spout Assembly complete with wall flange (attached to Rough)	1
Fixing Pack (inclusive of 2 differing size Allen Keys, Spare O'Ring)	1

Claybrook

123 Curtain Road
Shoreditch
London
EC2A 3BX

Tel 020 7052 1555

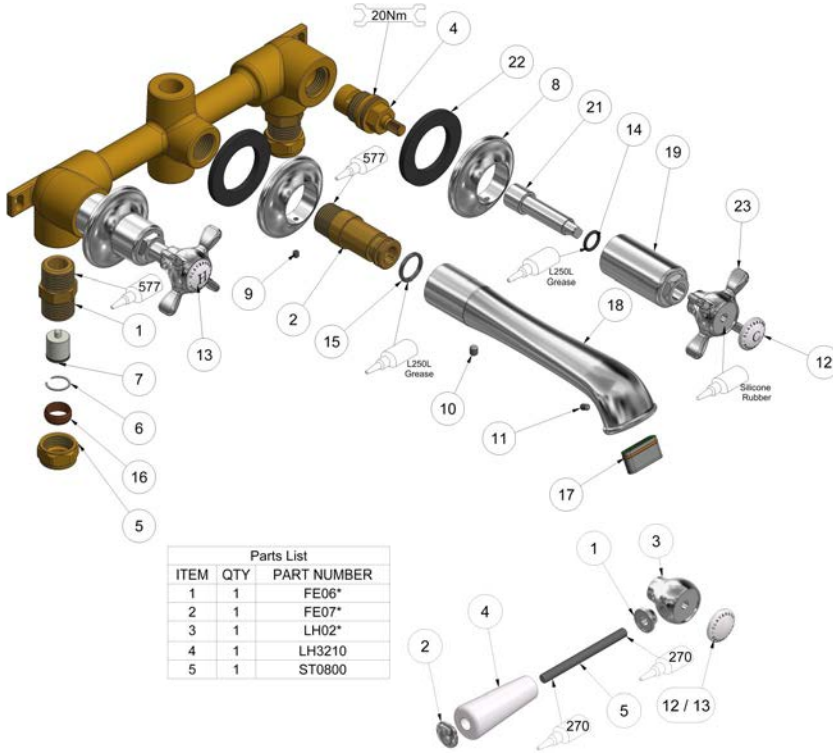


Claybrook.

3 Hole Wall Mounted Vessel Filler

Customer Installation and Homeowner Guide

Parts List



Parts List			
ITEM	QTY	PART NUMBER	DESCRIPTION
1	2	AD0300	1/2" BSP-NPT Adaptor
2	1	AD3200	Spout Adaptor Ecobrass
3	1	CC0100L	1/2" Valve Cartridge, Left Close
4	1 / 2	CC0100R	1/2" Valve Cartridge, Right Close
5	2	CN1200	1/2" BSP Comp Nut
6	2	CP1900	Retaining Ring TFC XVHM-15
7	2	CV0100	DW15/DN10 Neoperl Check Valve
8	3	FL75*	Vessel Wall Flange
9	3	GS0400	M4 x 4, A2 Cup Point Set Screw
10	1	GS0500	Grub Screw M5 x 6
11	1	GS0800	M4 x 6, A2 Cup Point Set Screw
12	1	NX1910C	Tap Index Cold Claybrook
13	1	NX1910H	Tap Index Hot Claybrook
14	2	OR1500	O' Ring 11,5ID x 2,0
15	1	OR9600	O' Ring ID 15,08 x 2,62 - Ge Mao E7041AA
16	2	OV1500	15mm Olive
17	1	RF1800	Neoperl (02.3284.0) Rectangular Aerator 28x7
18	1	SM06*	Traditional Vessel Wall Spout
19	2	VC35*	Vessel Valve Cover
20	1	VR1800	Fluhs 2 Valve Rough - FF21791
21	2	VS23*	Vessel Valve Stem
22	3	WS3400	Sealing Washer 52 OD x 32 ID
23	2	XH01*	X-Handle

*Part Requires Finish Code

Homeowner Guide for Claybrook Taps

Please take a few minutes to study this Homeowners Guide.

All information on this sheet is based upon the latest product information at the time of publication. We reserve the right to make changes in product characteristics, packaging or availability at any time without notice.

CARE AND CLEANING

Brassware (General)

To maintain the pleasing appearance of your Claybrook Bathroom product you must perform periodic and frequent cleaning. For best results clean using a mild soap, rinse thoroughly with warm water and blot dry with a clean, soft cloth. Allowing water to evaporate on metal will form water deposits, which may eventually cause corrosion.

Under no circumstances should an abrasive cleaner or combination cleaner/polish be used on these products. The abrasive nature of such products will eventually destroy the finish and void the warranty.

In the event of stubborn blemishes shown on the finish, we recommend using a window cleaner with a soft cloth, but we do not recommend it be used on an everyday basis.

EXPLANATION OF FINISHES

Chromium Plate (Chrome)

This is the hardest wearing finish, perfect for use in all situations, including high traffic public areas in commercial buildings.

Polished Nickel

This is a hard wearing finish, but will require use of a metal polish if its original appearance is required. Alternatively, a wipe clean with a soft cloth will allow the nickel to oxidise, eventually resulting in a dull pewter-like effect.

Brushed Satin Nickel

This finish is subtle and will resemble old pewter. For best results clean using a mild soap, rinse thoroughly with warm water and blot dry with a clean, soft cloth.

Failure to comply with these cleaning instructions may void the Claybrook warranty obligations