

Claybrook.

# BOURNBROOK SHOWER

## Concealed Shower Pack 2 Handheld Shower and Hose

### TECHNICAL FEATURES

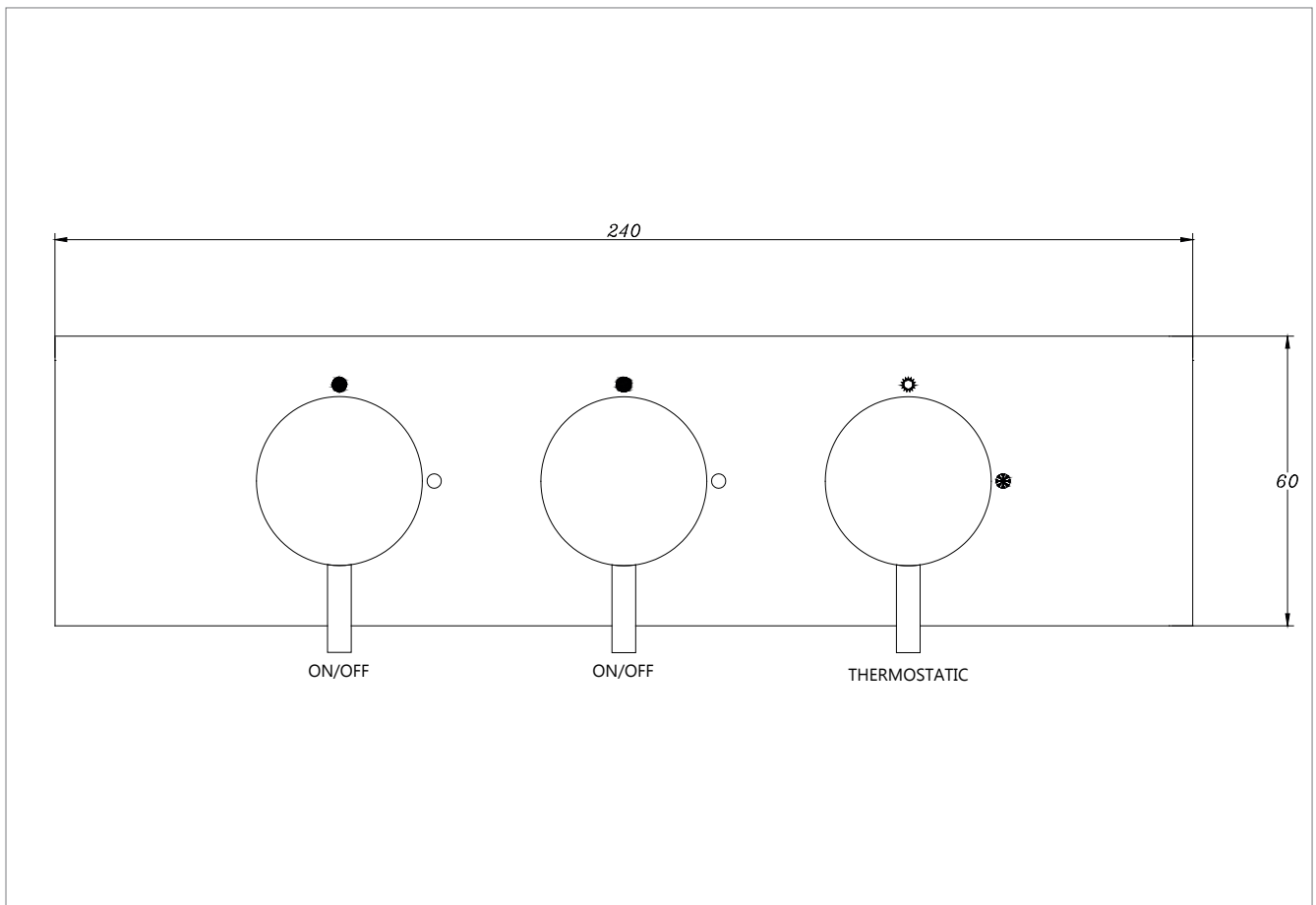
- CHROMED BRASS, MATT BLACK & BRUSHED BRASS
- STOP AT 330°
- TEMPERATURE RANGE FROM - MIN. 5° TO MÁX. 70°
- RECOMMENDED TEMPERATURE - 50°
- PRESSURE RANGE - 0.1 TO 5 BAR
- RECOMMENDED PRESSURE 1 TO 5 BAR

### FLOW CHART

AT:

- 1 BAR - 13.9 LT/MIN.
- 1.5 BAR - 18 LT/MIN.
- 2 BAR - 21 LT/MIN.
- 3 BAR - 24 LT/MIN.
- 4 BAR - 28 LT/MIN.

### TECHNICAL DRAWING (MEASUREMENTS IN MM)



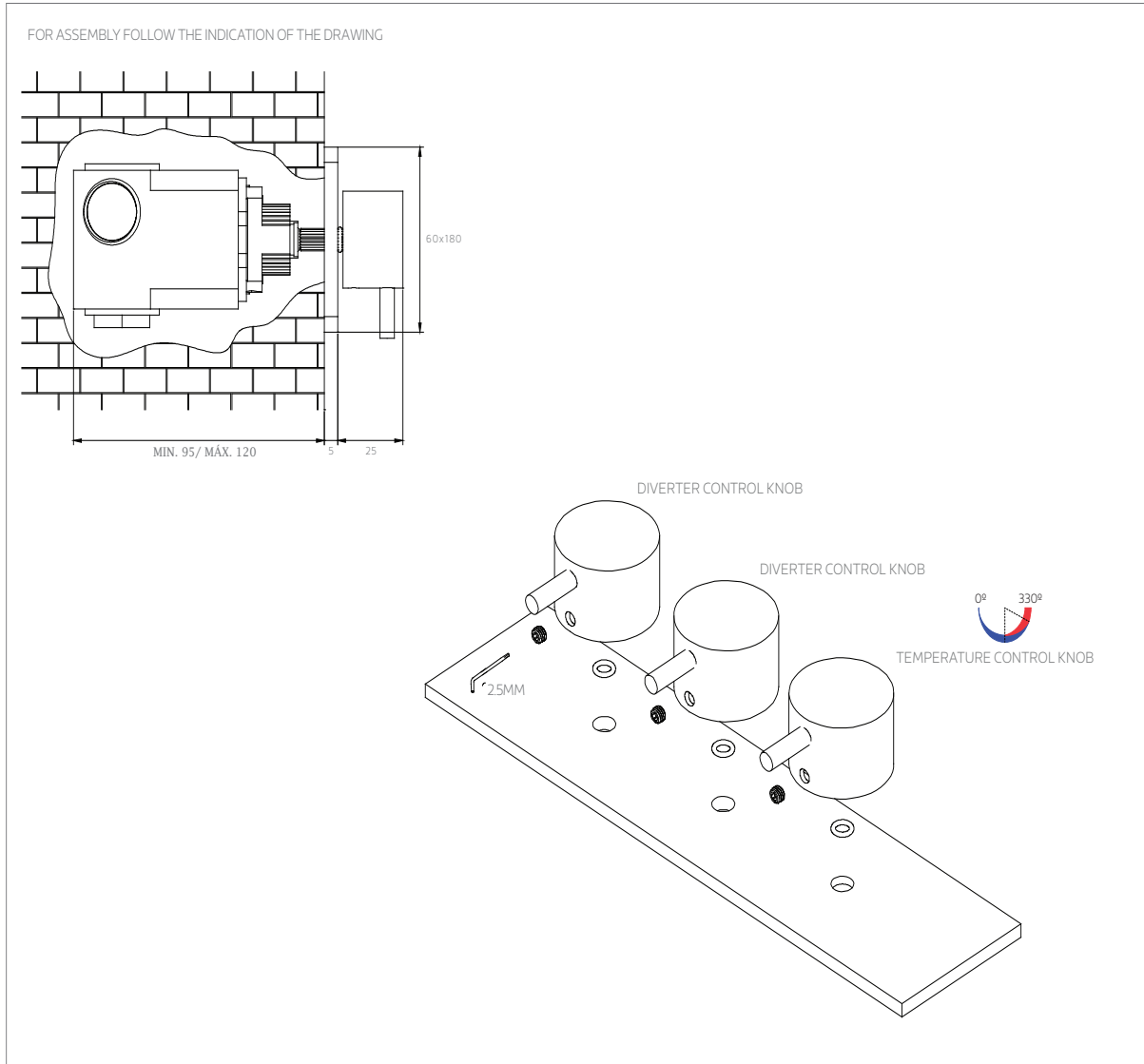
If you require any further assistance regarding specification data and technical advice please contact us at [enquiries@claybrookstudio.co.uk](mailto:enquiries@claybrookstudio.co.uk)



Claybrook.

# BOURNBROOK SHOWER

## Installation, Warranty and Care



### INSTALLATION RECOMENDATIONS

BEFORE INSTALLING A TAP, IT IS GOOD TO RINSE THE SUPPLY PIPES TO REMOVE ALL RESIDUES. WE ALSO RECOMMEND INSTALLING THE TAPS WITH A FILTER. THE INSTALLATION OF THE TAP MUST BE DONE WITH THE SURFACE CLEAN AND DRY. TO PERFORM THE WATER PRESSURE TEST, THE TAPS MUST BE OPEN.

### CLEANING AND MAINTENANCE

CLEANING MUST BE DONE WITH LIQUID SOAP AND WATER. DO NOT USE LIQUID DETERGENTS CONTAINING ABRASIVE OR ACIDIC SUBSTANCES, ABRASIVE SPONGES OR DISINFECTANTS. THE ABOVE PRODUCTS ALSO CANNOT BE USED IN THE CLEANING OF SANITARY WARE NEAR THE TAPS. INCORRECT CLEANING MAY PERMANENTLY RUIN THE SURFACE OF TAPS, THUS ANNULLING THE VALIDITY OF THE WATER EVOLUTION WARRANTY.

If you require any further assistance regarding specification data and technical advice please contact us at [enquiries@claybrookstudio.co.uk](mailto:enquiries@claybrookstudio.co.uk)



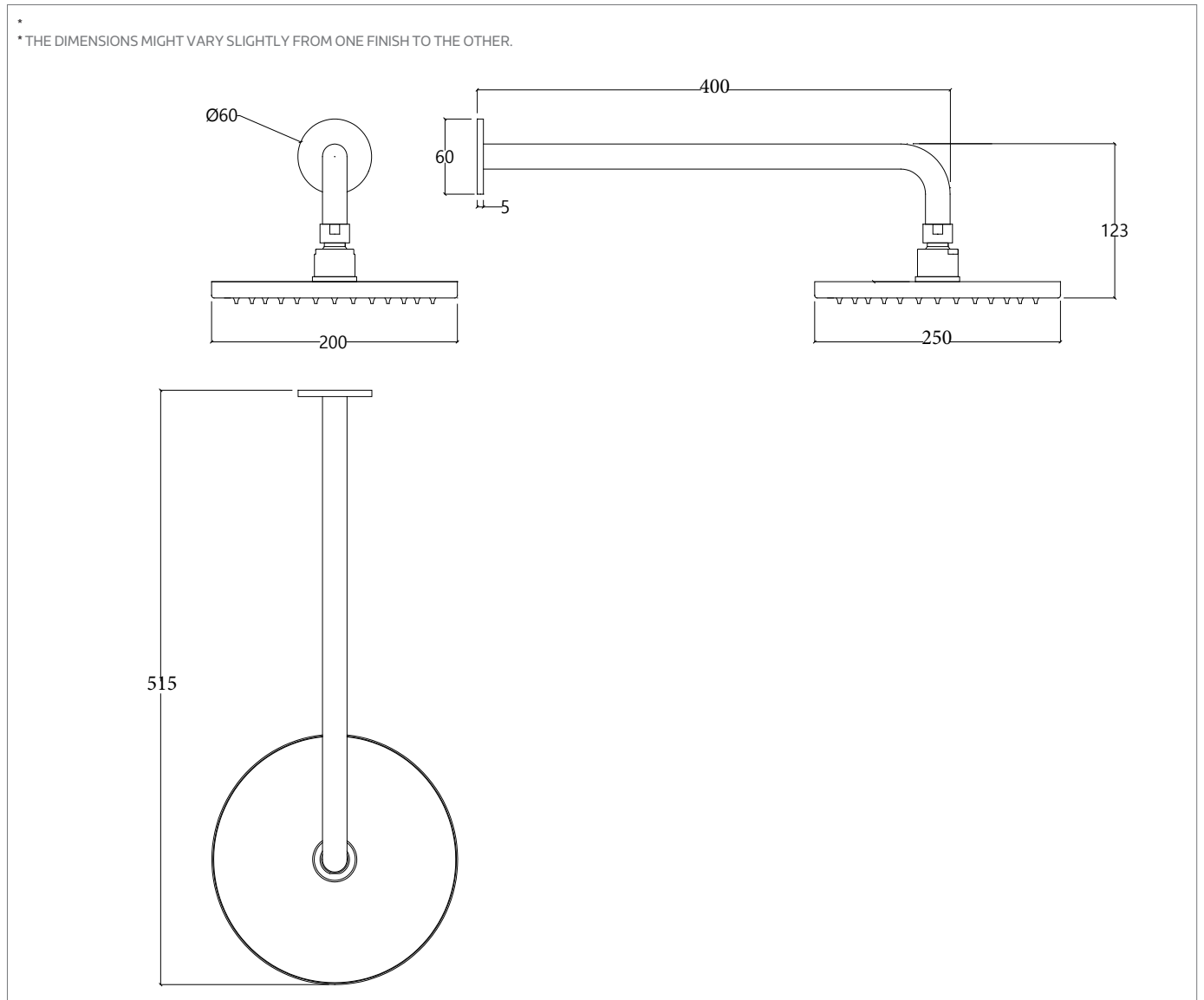
Claybrook.

# BOURNBROOK SHOWER

Wall Arm and Rose



TECHNICAL DRAWING (MEASUREMENTS IN MM)

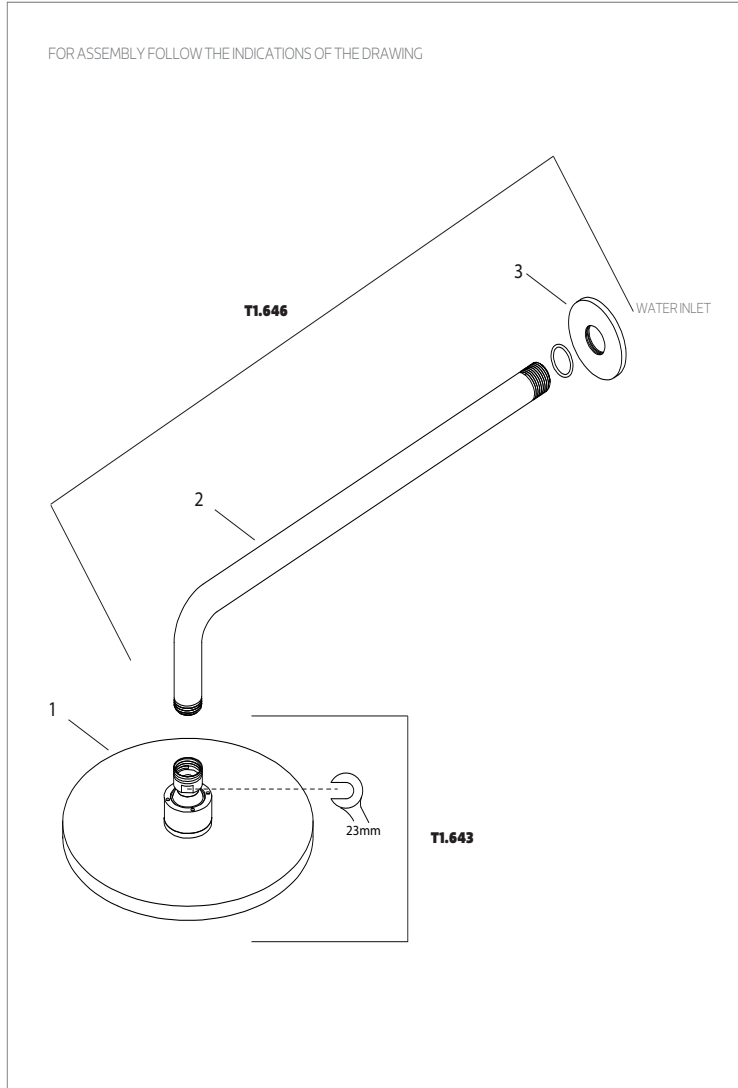


If you require any further assistance regarding specification data and technical advice please contact us at [enquiries@claybrookstudio.co.uk](mailto:enquiries@claybrookstudio.co.uk)



# BOURNBROOK SHOWER

## Installation, Warranty and Care



### INSTALLATION RECOMENDATIONS

Before installing a tap, it is good to rinse the supply pipes to remove all residues. We also recommend installing the taps with a filter. The installation of the tap must be done with the surface clean and dry. To perform the water pressure test, the taps must be open.

### CLEANING AND MAINTENANCE

Cleaning must be done with liquid soap and water. Do not use liquid detergents containing abrasive or acidic substances, abrasive sponges or disinfectants. Incorrect cleaning may permanently ruin the surface of the taps. On colour finishings, do not use products containing alcohol, acetone and other solvents.

### WARRANTY

Claybrook Studio guarantee all its products in case of manufacturing defects, as follows:

5 year warranty:

- Fusion or porosity defects;
- Cartridge defects (the wear of this component depends on water quality);
- Chrome plating defects (defects caused by maintenance errors are excluded, please refer to cleaning instructions).

1 year warranty:

- O-rings or fittings defects.
- Defects on remaining finishes.

In order to use this warranty, please keep the invoice and attach it to this document.

Defective products must be brought to the attention of 'Claybrook Studio', with shipping expenses borne by the sender – this warranty document and a copy of the purchase invoice must be attached to the package – where the products will be promptly replaced and send back with shipping expenses borne by 'Claybrook Studio'.

Non-compliance of this conditions will render the warranty null and void.

This warranty excludes any liabilities on the consequences arising from use or installation defects of 'Claybrook Studio' products.

### DADOS TÉCNICOS TECHNICAL DATA

	CODE	P03508	P27985	P23859	P24456
Nº	DESCRIPTION	T1.641.01	T1.641.IE	T1.641.BR	T1.641.PR
01	SHOWER HEAD PLATE - T1.643	P23673	P32793	P24511	P30433
02	ARM SHOWER - T1.646				
03	PLATE	P32233			P32239



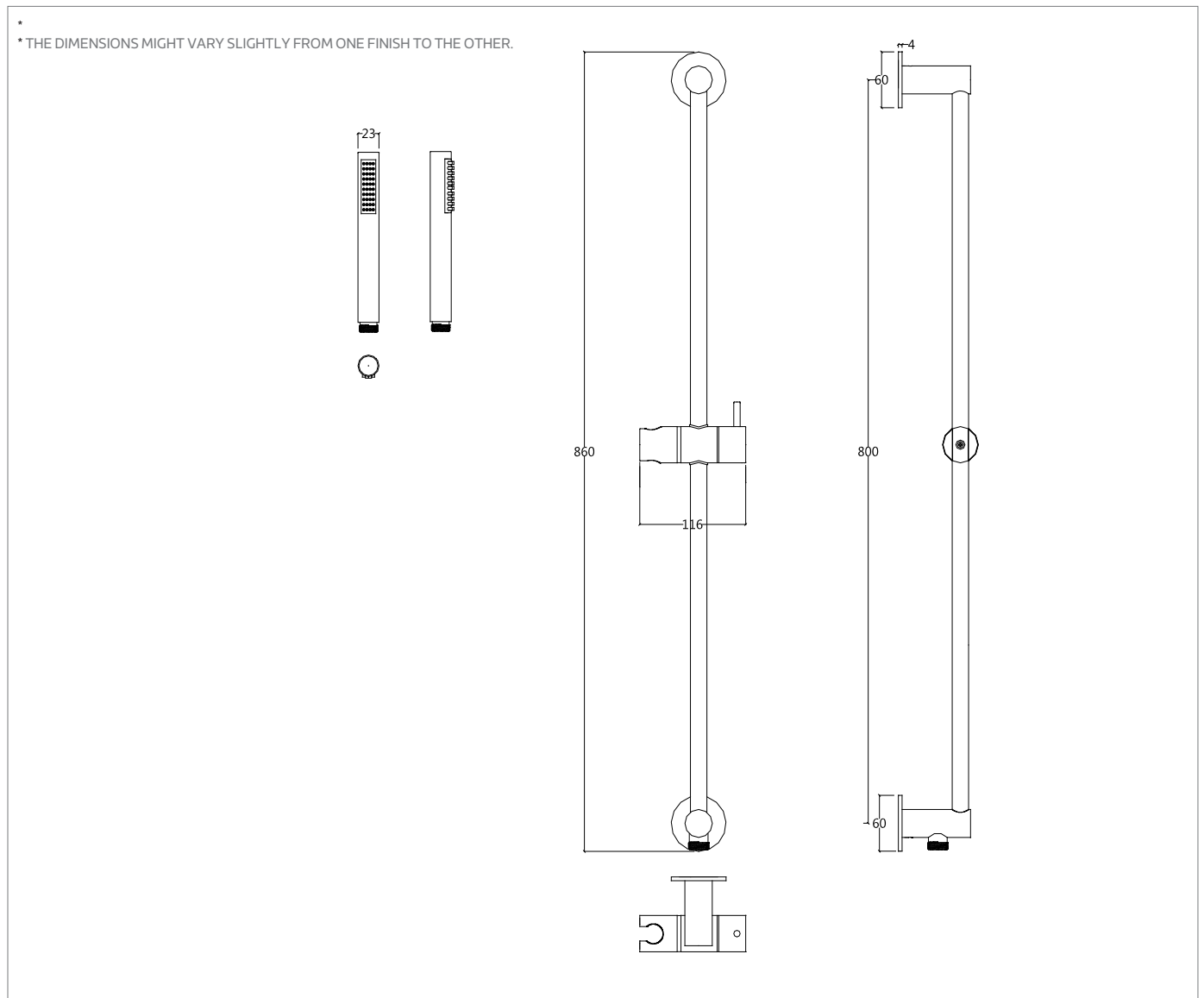
Claybrook.

# BOURNBROOK SHOWER

## Handheld Shower and Slider Rail



TECHNICAL DRAWING (MEASUREMENTS IN MM)

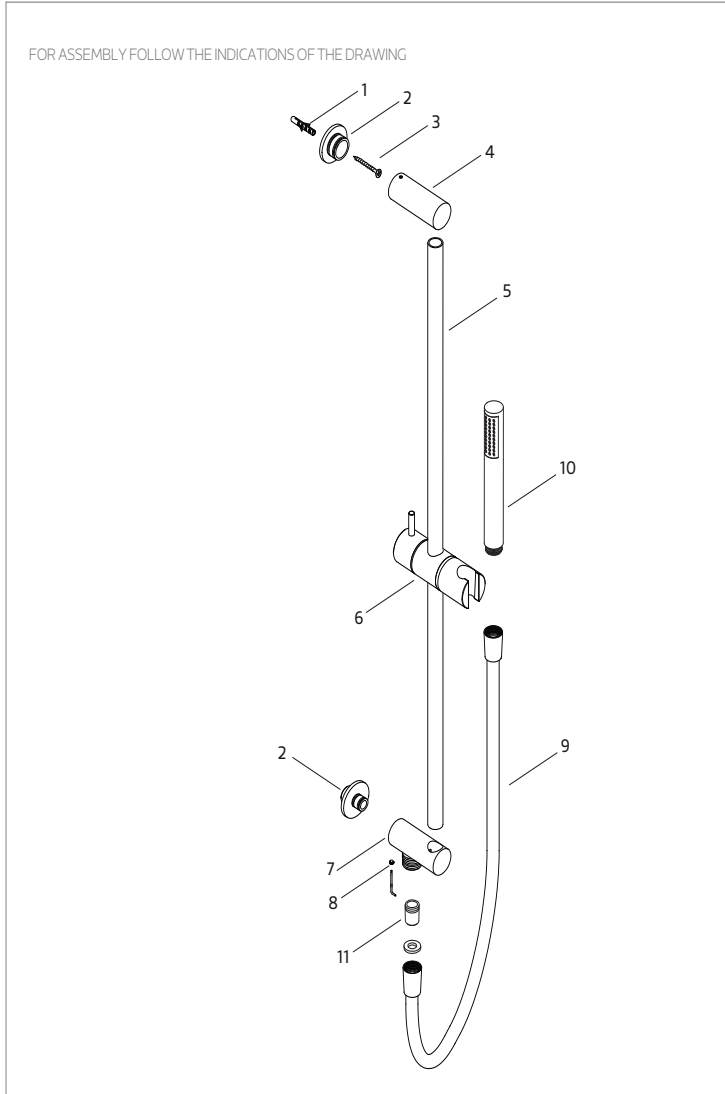


If you require any further assistance regarding specification data and technical advice please contact us at [enquiries@claybrookstudio.co.uk](mailto:enquiries@claybrookstudio.co.uk)



# BOURNBROOK SHOWER

## Installation, Warranty and Care



### INSTALLATION RECOMENDATIONS

Before installing a tap, it is good to rinse the supply pipes to remove all residues. We also recommend installing the taps with a filter. The installation of the tap must be done with the surface clean and dry. To perform the water pressure test, the taps must be open.

### CLEANING AND MAINTENANCE

Cleaning must be done with liquid soap and water. Do not use liquid detergents containing abrasive or acidic substances, abrasive sponges or disinfectants. Incorrect cleaning may permanently ruin the surface of the taps. On colour finishings, do not use products containing alcohol, acetone and other solvents.

### WARRANTY

Claybrook Studio guarantee all its products in case of manufacturing defects, as follows:

5 year warranty:

- Fusion or porosity defects;
- Cartridge defects (the wear of this component depends on water quality);
- Chrome plating defects (defects caused by maintenance errors are excluded, please refer to cleaning instructions).

1 year warranty:

- O-rings or fittings defects.
- Defects on remaining finishes.

In order to use this warranty, please keep the invoice and attach it to this document.

Defective products must be brought to the attention of 'Claybrook Studio', with shipping expenses borne by the sender – this warranty document and a copy of the purchase invoice must be attached to the package – where the products will be promptly replaced and send back with shipping expenses borne by 'Claybrook Studio'.

Non-compliance of this conditions will render the warranty null and void.

This warranty excludes any liabilities on the consequences arising from use or installation defects of 'Claybrook Studio' products.

### TECHNICAL DATA

	CODE	P23636	P27077	P29404	P29039
Nº	DESCRIPTION	T1.661.01	T1.661.IE	T1.661.BR	T1.661.PR
01	PLUG				
02	PLATE FIXING				
03	SCREW				
04	BODY HOLDER 1				
05	SLINDING RAIL TUBE				
06	SHOWER HOLDER				
07	BODY HOLDER				
08	UMBRAK SCREW				
09	FLEXIBLE	P35064	P31116		P34807
10	HANDSHOWER	P26333	P32034	P24394	P25305
11	CHECK VALVE				

If you require any further assistance regarding specification data and technical advice please contact us at [enquiries@claybrookstudio.co.uk](mailto:enquiries@claybrookstudio.co.uk)



Claybrook.

# BOURNBROOK SHOWER

## Rough Parts for Concealed Shower Pack 2

### TECHNICAL FEATURES

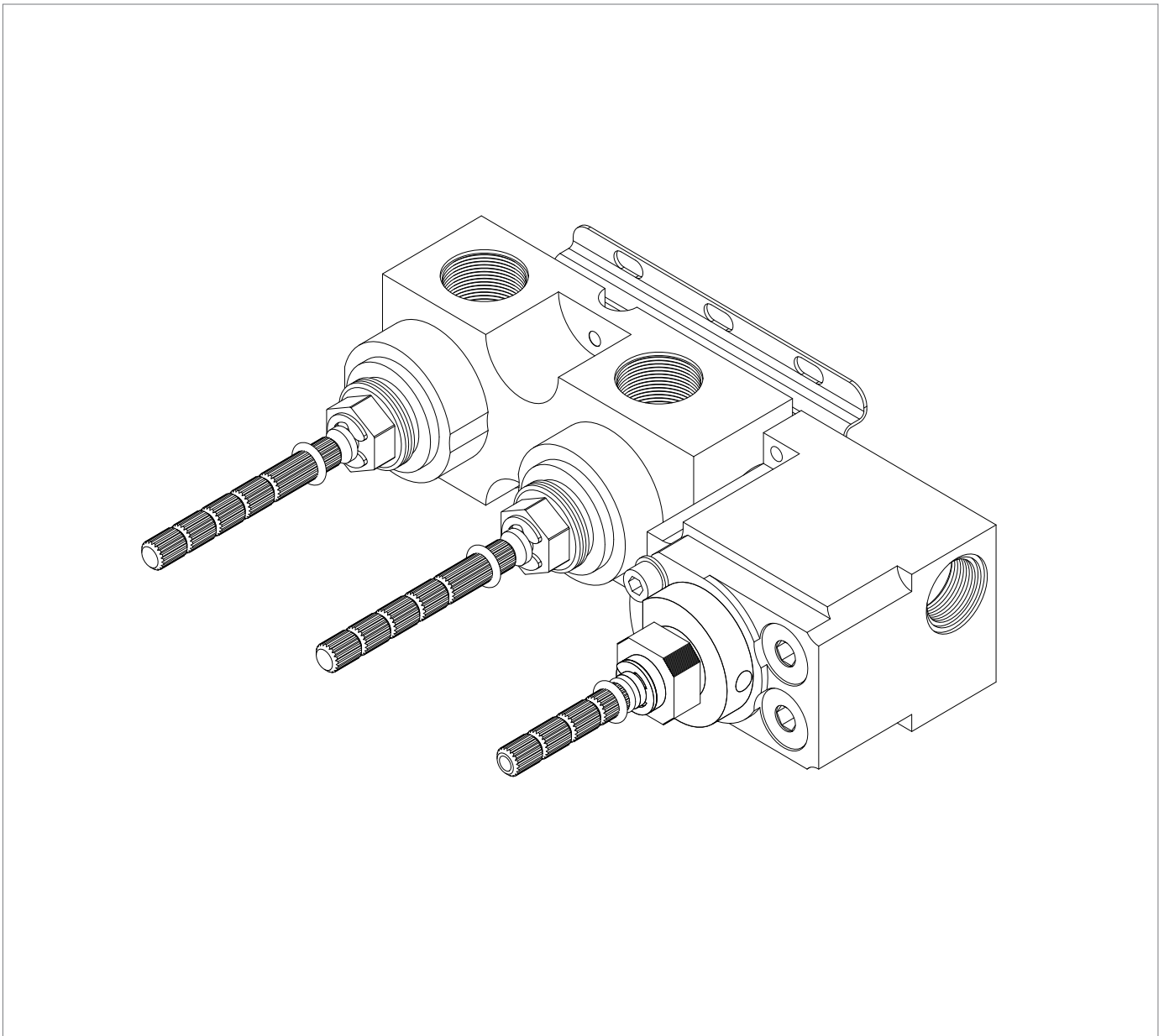
- STOP AT 330°
- TEMPERATURE RANGE FROM - MIN. 5° TO MÁX. 70°
- RECOMMENDED TEMPERATURE - 50°
- PRESSURE RANGE - 0.1 TO 5 BAR
- RECOMMENDED PRESSURE 1 TO 5 BAR

### FLOW CHART

AT:

- 1 BAR - 13.9 LT/MIN.
- 1.5 BAR - 18 LT/MIN.
- 2 BAR - 21 LT/MIN.
- 3 BAR - 24 LT/MIN.
- 4 BAR - 28 LT/MIN.

### TECHNICAL DRAWING (MEASUREMENTS IN MM)

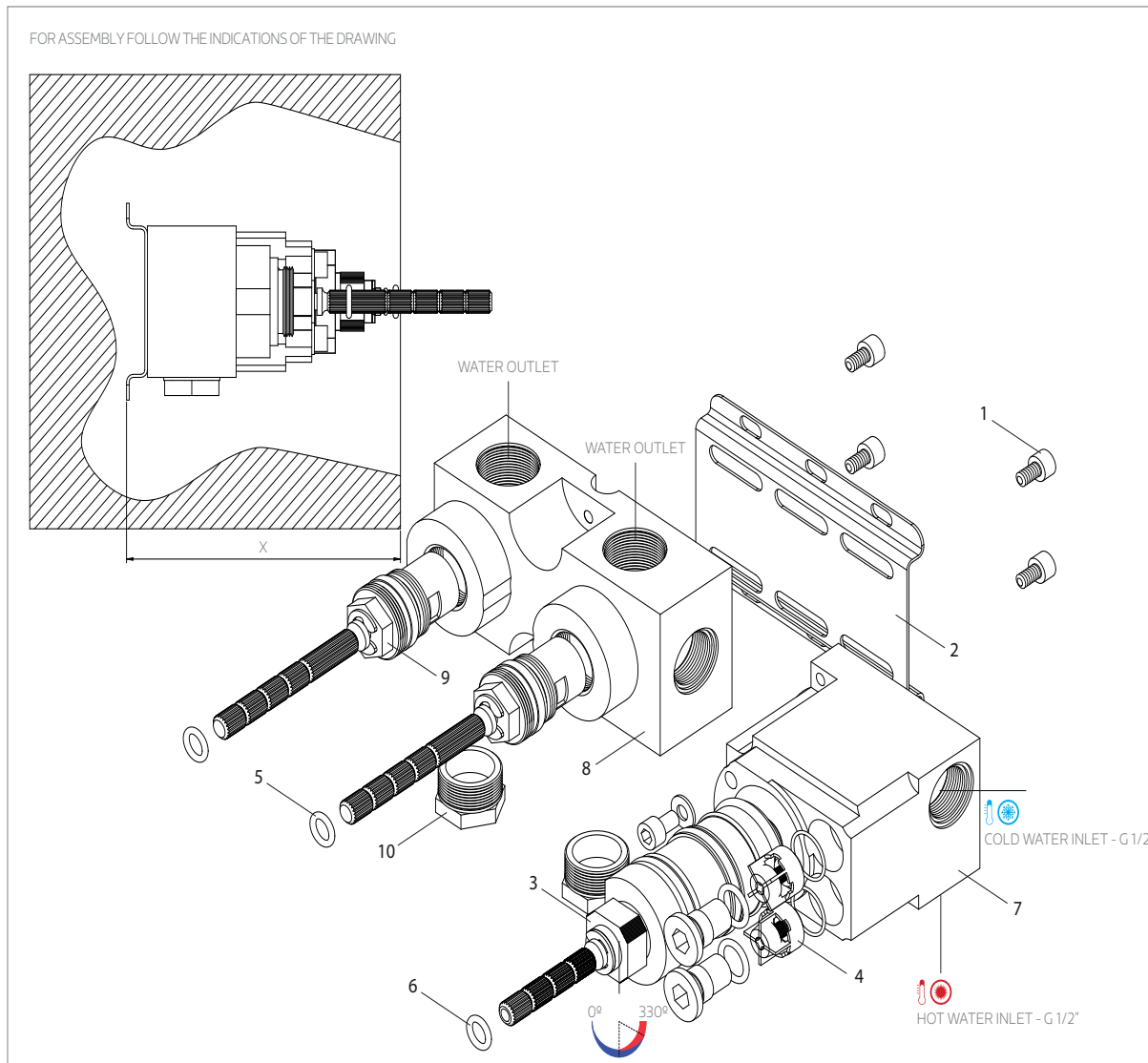


If you require any further assistance regarding specification data and technical advice please contact us at [enquiries@claybrookstudio.co.uk](mailto:enquiries@claybrookstudio.co.uk)



# BOURNBROOK SHOWER

## Installation, Warranty and Care



### TECHNICAL DATA

Nº	REFERENCE	DESCRIPTION
01	P00000	SCREW
02	P00000	FIXING PLATE
03	P00000	THERMOSTATIC VALVE
04	P00000	NON RETURN VALVE
05	P00000	O-RING
06	P00000	O-RING
07	P00000	THERMOSTATIC SEAT
08	P00000	STOP VALVE SEAT
09	P00000	STOP VALVE
10	P00000	HALF INCH CAP

### LEGEND

SYMBOL	SYMBOL
○	CLOSED
●	EXIT 1
●●	EXIT 2
●●●	EXIT 3
⊙	HOT
⊙	COLD

### INSTALLATION RECOMENDATIONS

BEFORE INSTALLING A TAP, IT IS GOOD TO RINSE THE SUPPLY PIPES TO REMOVE ALL RESIDUES. WE ALSO RECOMMEND INSTALLING THE TAPS WITH A FILTER. THE INSTALLATION OF THE TAP MUST BE DONE WITH THE SURFACE CLEAN AND DRY. TO PERFORM THE WATER PRESSURE TEST, THE TAPS MUST BE OPEN.

### CLEANING AND MAINTENANCE

CLEANING MUST BE DONE WITH LIQUID SOAP AND WATER. DO NOT USE LIQUID DETERGENTS CONTAINING ABRASIVE OR ACIDIC SUBSTANCES, ABRASIVE SPONGES OR DISINFECTANTS. INCORRECT CLEANING MAY PERMANENTLY RUIN THE SURFACE OF TAPS.

IN COLOR FINISHINGS, DO NOT USE PRODUCTS CONTAINING ALCOHOL, ACETONE AND OTHER SOLVENTS.

If you require any further assistance regarding specification data and technical advice please contact us at [enquiries@claybrookstudio.co.uk](mailto:enquiries@claybrookstudio.co.uk)

