



Claybrook.

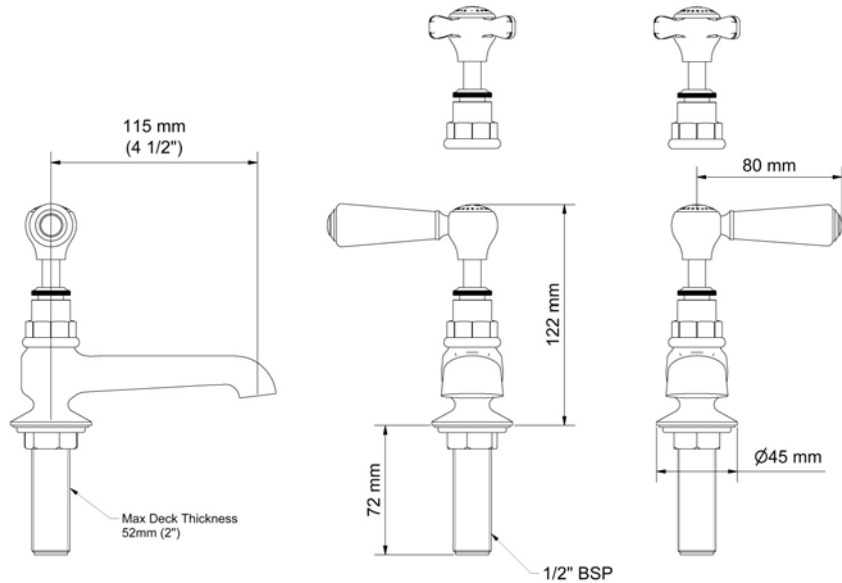
Pair 4 1/2" Reach Basin Pillar Taps

Customer Installation and Homeowner Guide

PRODUCT CODE	HANDLE	FINISH
TAP-ALB-BAS-2PT-CHX	X	Chrome
TAP-ALB-BAS-2PT-PNX	X	Nickel
TAP-ALB-BAS-2PT-BNX	X	Brushed
TAP-ALB-BAS-2PT-CHWL	Lever	Chrome
TAP-ALB-BAS-2PT-PNWL	Lever	Nickel
TAP-ALB-BAS-2PT-BNWL	Lever	Brushed

Specification Data

Minimum flow pressure :	0.5 Bar (7.25 PSI)
Recommended flow pressure :	1 - 5 bar (14.5 –72.5 PS) For pressure greater than 5 bar fit a pressure reducing valve
Maximum operating pressure :	10 bar (145 PSI)
Test pressure :	10 bar (145 PSI)
Maximum water temperature :	80°C (176°F)



Installation Guide

Installation:

MAXIMUM WORKTOP THICKNESS 52mm.

- To fit the product, two holes must first be made in the worktop / basin. These holes should be between 23mm and 33mm in diameter.
- Unscrew the **back nut** from the **valve body**.
- Ensuring the Neoprene washer** is in place on the underside of the **valve body**, pass the **valve body** through the hole (silicone sealant / adhesive may also be used).
- From beneath, screw the **back nut** onto the **valve body** thread and tighten with the spout in the correct orientation.
- Repeat for the other tap.
- The plumbing can be arranged and connected using a **1/2" BSP Tap Connector**. It is recommended that the taps are plumbed using fixed copper pipe which helps prevent the taps moving after installation.

Packing List

Description	Qty
4 1/2" Basin Pillar Tap (Hot & Cold)	2
Back Nut	2
Neoprene Washer	2

Claybrook

123 Curtain Road
Shoreditch
London
EC2A 3BX

Tel 020 7052 1555

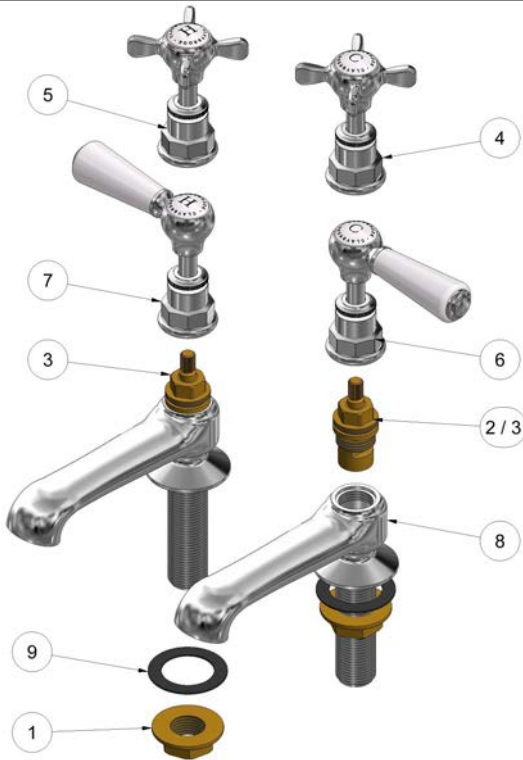


Claybrook.

Pair 4 1/2" Reach Basin Pillar Taps

Customer Installation
and Homeowner Guide

Parts List



Parts List			
ITEM	QTY	PART NUMBER	DESCRIPTION
1	2	BN0700	1/2" Brass Back Nut
2	1	CC0100L	1/2" Valve Cartridge, Left Close
3	1 / 2	CC0100R	1/2" Valve Cartridge, Right Close
4	1	LA53*C	1/2" Claybrook X Handle Assy Cold
5	1	LA53*H	1/2" Claybrook X Handle Assy Hot
6	1	LA54*C	1/2" Claybrook Lever Handle Assy Cold
7	1	LA54*H	1/2" Claybrook Lever Handle Assy Hot
8	2	VM01*	4 1/2" Basin Tap
9	2	WS1800	Washer, Neoprene OD42 x ID28 x 1mm

*Part Requires Finish Code

Homeowner Guide for Claybrook Taps

Please take a few minutes to study this Homeowners Guide.

All information on this sheet is based upon the latest product information at the time of publication. We reserve the right to make changes in product characteristics, packaging or availability at any time without notice.

CARE AND CLEANING

Brassware (General)

To maintain the pleasing appearance of your Claybrook Bathroom product you must perform periodic and frequent cleaning. For best results clean using a mild soap, rinse thoroughly with warm water and blot dry with a clean, soft cloth. Allowing water to evaporate on metal will form water deposits, which may eventually cause corrosion.

Under no circumstances should an abrasive cleaner or combination cleaner/polish be used on these products. The abrasive nature of such products will eventually destroy the finish and void the warranty.

In the event of stubborn blemishes shown on the finish, we recommend using a window cleaner with a soft cloth, but we do not recommend it be used on an everyday basis.

EXPLANATION OF FINISHES

Chromium Plate (Chrome)

This is the hardest wearing finish, perfect for use in all situations, including high traffic public areas in commercial buildings.

Polished Nickel

This is a hard wearing finish, but will require use of a metal polish if its original appearance is required. Alternatively, a wipe clean with a soft cloth will allow the nickel to oxidise, eventually resulting in a dull pewter-like effect.

Brushed Satin Nickel

This finish is subtle and will resemble old pewter. For best results clean using a mild soap, rinse thoroughly with warm water and blot dry with a clean, soft cloth.

**Failure to comply with these cleaning instructions
may void the Claybrook warranty obligations**