



Claybrook.

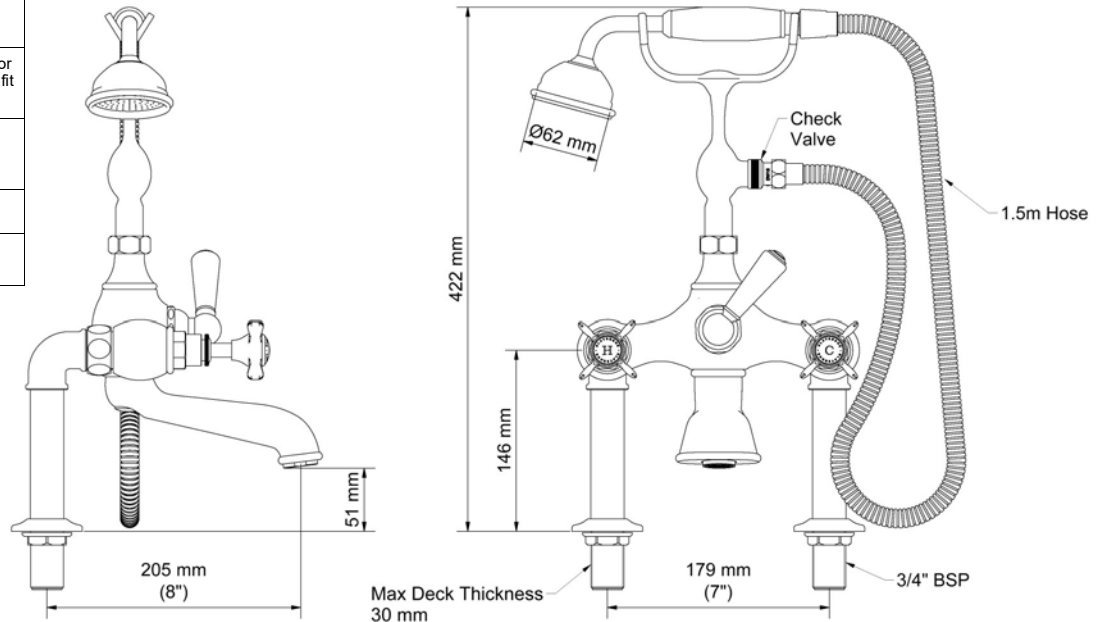
Bath & Shower Mixer Deck Mounted

Customer Installation and Homeowner Guide

PRODUCT CODE	HANDLE	FINISH
TAP-ALB-BAT-BSD-CHXWL	X	Chrome
TAP-ALB-BAT-BSD-PNXWL	X	Nickel
TAP-ALB-BAT-BSD-BNXWL	X	Brushed

Specification Data

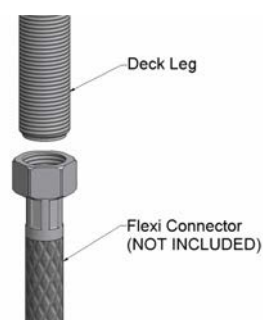
Minimum flow pressure :	0.5 Bar (7.25 PSI)
Recommended flow pressure :	1 - 5 bar (14.5 - 72.5 PS) For pressure greater than 5 bar fit a pressure reducing valve
Maximum operating pressure :	10 bar (145 PSI)
Test pressure :	10 bar (145 PSI)
Maximum water temperature :	80°C (176°F)



Installation Guide - Deck Unions

Installation:

1. Prepare the two holes needed in your deck / bath. These holes should be between 27mm and 35mm in diameter. The hole centres should be 178mm (7") apart.
2. Check that both **flanges** are screwed to the uppermost position of the **deck unions** thread.
3. Unscrew the **back nuts** from the **deck unions** and pass the ends of the **deck unions** through the holes ensuring the **O' Ring Seal** is between the deck / bath and the **flange**.
4. From beneath, screw on and hand tighten the **back nuts**.
5. Plumbing can be connected to the bottom of the **deck unions** using **flexi-hosing** (*below right*) or a 3/4" BSP tap connector.



Claybrook

123 Curtain Road
Shoreditch
London
EC2A 3BX

Tel 020 7052 1555



Claybrook.

Bath & Shower Mixer Deck Mounted

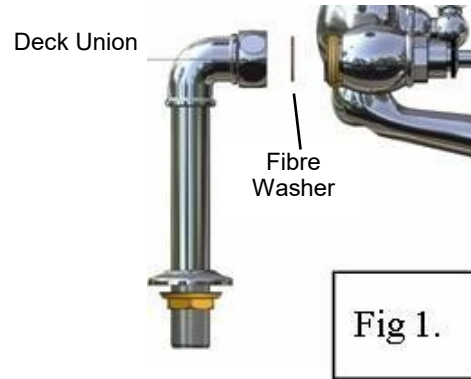
Customer Installation and Homeowner Guide

PRODUCT CODE	HANDLE	FINISH
TAP-ALB-BAT-BSD-CHXWL	X	Chrome
TAP-ALB-BAT-BSD-PNXWL	X	Nickel
TAP-ALB-BAT-BSD-BNXWL	X	Brushed

Installation Guide - Bath & Shower Mixer

Installation:

1. Be sure to flush through all pipe work before fitting the **bath & shower mixer**, this is to ensure any foreign particles are removed from the pipe work.
2. To connect the **bath & shower mixer** to the deck unions, screw the deck union captive nut onto the threads at the rear of the **bath & shower mixer** ensuring the **fibre washers** are placed in between (Fig 1.). Tighten to create a water tight seal.
3. From beneath fully tighten the **back nuts** securing the deck legs to the bath.



Installation Guide - Cradle, Hand Shower & Hose



Installation:

1. To fit the **cradle** place the **rubber washer** into the **captive nut** and screw the **captive nut** onto the top of the Bath & Shower Mixer. Once the correct orientation of the **cradle** has been achieved, carefully tighten the **captive nut** using a spanner. **DO NOT ROTATE THE CRADLE BY THE ARMS** as this is liable to cause the body to twist and deform. If the **cradle** needs adjusting or holding during tightening, do so by holding the main body or the outlet.
2. To fit the **hand shower and hose**, attach the supplied **check valve** to the cradle outlet then screw the hose onto the **check valve** outlet using the supplied sealing washer. If required attach the hand shower to the other end of the hose again using the sealing washer provided with the hose. Carefully tighten to create a seal.
3. Once installation is complete, turn on the water supplies and check for leaks.

Packing List



Description	Qty
1. Deck unions	2
2. Hand Shower Cradle	1
3. Hand Shower & Hose	1
4. Manual Bath & Shower Mixer	1
5. Check Valve	1



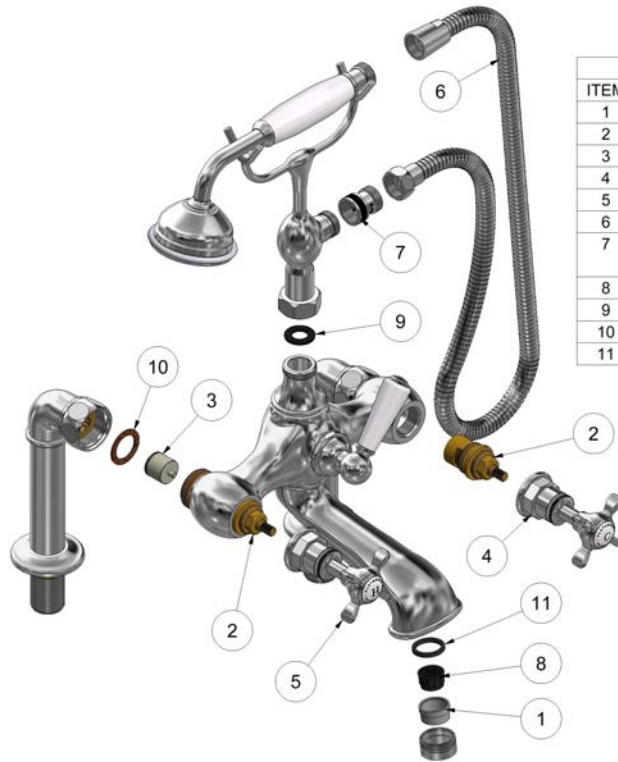
Claybrook.

Bath & Shower Mixer Deck Mounted

Customer Installation and Homeowner Guide

PRODUCT CODE	HANDLE	FINISH
TAP-ALB-BAT-BSD-CHXWL	X	Chrome
TAP-ALB-BAT-BSD-PNXWL	X	Nickel
TAP-ALB-BAT-BSD-BNXWL	X	Brushed

Spare Parts List - Manual Bath & Shower Mixer



Parts List			
ITEM	QTY	PART NUMBER	DESCRIPTION
1	1	AD3300	Aerator Adaptor Ring
2	2	CC0200R	3/4" Fluhs Cartridge - Right Close
3	2	CV0200	Neoperl DW20 DN15 Check Valve
4	1	LA55*C	Claybrook 3/4" X Handle - Cold
5	1	LA55*H	Claybrook 3/4" X Handle - Hot
6	1	MH01*	Shower Hose
7	1	RF08*	Neoperl Check Valve in 1/2" BSP Housing
8	1	RF1400	Neoperl Aerator
9	1	WS0800	Rubber Washer
10	2	WS1000	Red Fibre Washer
11	1	WS4200	Neoperl Aerator Rubber Washer

*Part Requires Finish Code

Homeowner Guide for Claybrook Bath Taps

Please take a few minutes to study this Homeowners Guide.

All information on this sheet is based upon the latest product information at the time of publication. We reserve the right to make changes in product characteristics, packaging or availability at any time without notice.

CARE AND CLEANING

Brassware (General)

To maintain the pleasing appearance of your Claybrook Bathroom product you must perform periodic and frequent cleaning. For best results clean using a mild soap, rinse thoroughly with warm water and blot dry with a clean, soft cloth. Allowing water to evaporate on metal will form water deposits, which may eventually cause corrosion.

Under no circumstances should an abrasive cleaner or combination cleaner/polish be used on these products. The abrasive nature of such products will eventually destroy the finish and void the warranty.

In the event of stubborn blemishes shown on the finish, we recommend using a window cleaner with a soft cloth, but we do not recommend it be used on an everyday basis.

EXPLANATION OF FINISHES

Chromium Plate (Chrome)

This is the hardest wearing finish, perfect for use in all situations, including high traffic public areas in commercial buildings.

Polished Nickel

This is a hard wearing finish, but will require use of a metal polish if its original appearance is required. Alternatively, a wipe clean with a soft cloth will allow the nickel to oxidise, eventually resulting in a dull pewter-like effect.

Brushed Satin Nickel

This finish is subtle and will resemble old pewter. For best results clean using a mild soap, rinse thoroughly with warm water and blot dry with a clean, soft cloth.

**Failure to comply with these cleaning instructions
may void the Claybrook warranty obligations**