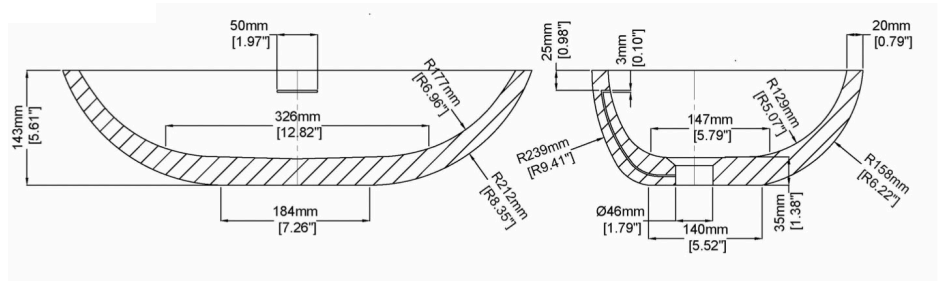
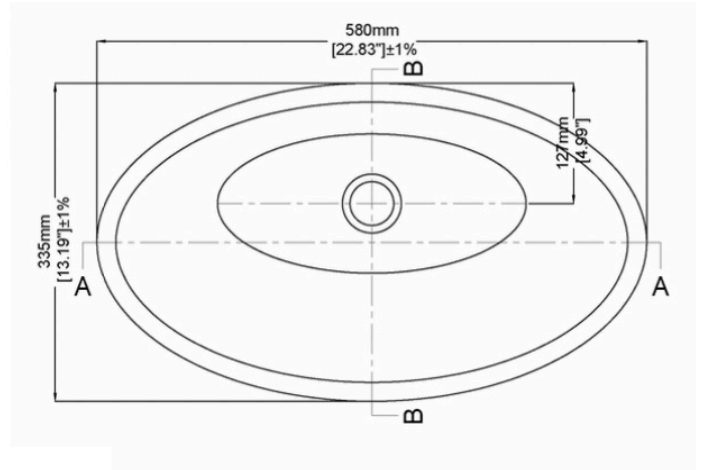


Claybrook.

CHARON MARBLEFORM BASIN

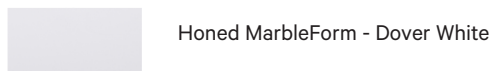
Oval Minor Counter Top Basin



BAS-CHA-MRF-DWH-WOF
Size: L580 x w335 x h142.5mm

MATERIAL: Marble Composite

FINISHES:



TECHNICAL INFORMATION

Basin weight	12.5 kg / 28 lbs
Weight with water	19.5 kg / 43 lbs
Capacity to overflow	7 L / 1.85 US gal
Water depth to overflow	82.5 mm / 3.25 "

Print colours may vary from original.

If you require any further assistance regarding specification data and technical advice please contact us at enquiries@claybrookstudio.co.uk

