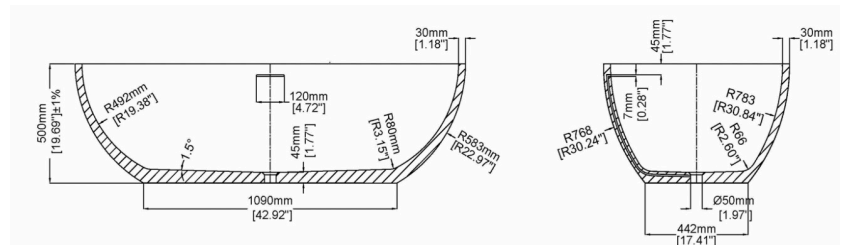
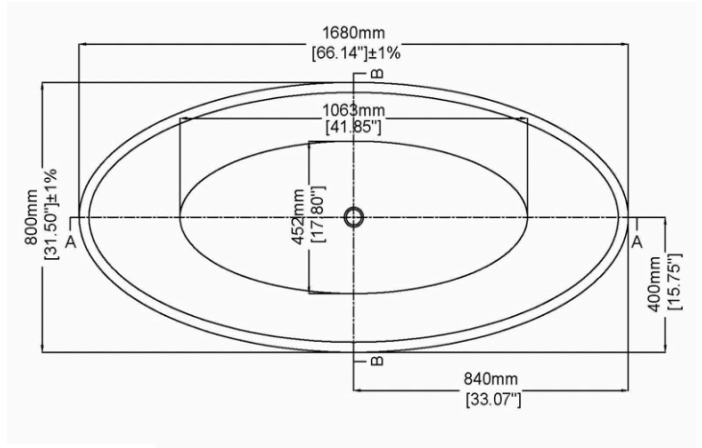


Claybrook.

# CHARON MARBLEFORM BATH

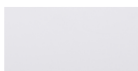
Double Ended Freestanding Bath



BAT-CHA-MRF-FSD-DWH-0TH  
 Size: L1680mm x w800mm x h500mm

MATERIAL: Marble Composite

FINISHES:



Honed MarbleForm - Dover White

## TECHNICAL INFORMATION

Basin weight	159 kg / 351 lbs
Weight with water	459 kg / 1012 lbs
Capacity	300 L / 79.2 US gal
Water depth to overflow	393 mm / 15.47 "
Bathing well wrea (at overflow)	1614 mm x 736 mm
Bathing well area (to bottom)	1063 mm x 425 mm

Please order MarbleForm pop up waste separately

Print colours may vary from original.

If you require any further assistance regarding specification data and technical advice please contact us at [enquiries@claybrookstudio.co.uk](mailto:enquiries@claybrookstudio.co.uk)

