



Claybrook.

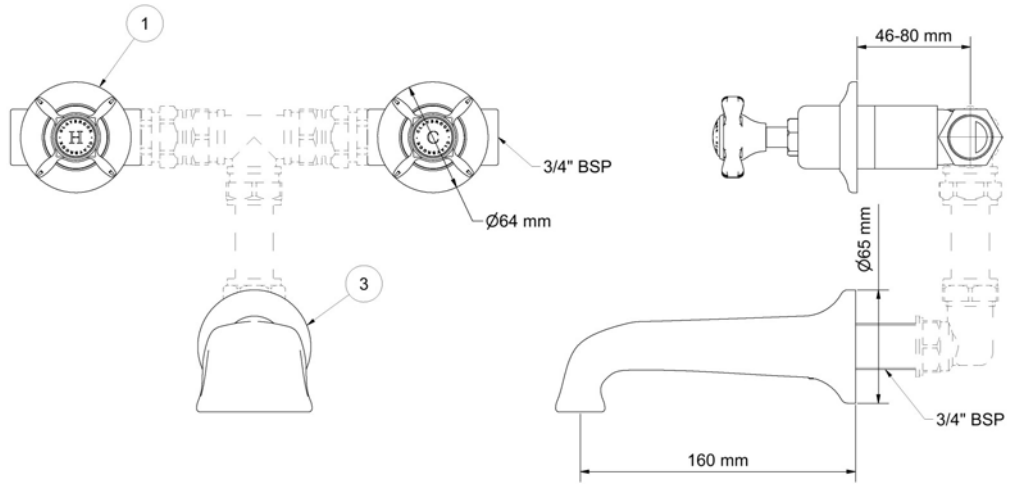
Concealed 3/4" Bath Filler

Customer Installation and Homeowner Guide

PRODUCT CODE	HANDLE	FINISH
TAP-ALB-BAT-3TW-CHX	X	Chrome
TAP-ALB-BAT-3TW-PNX	X	Nickel
TAP-ALB-BAT-3TW-BNX	X	Brushed
TAP-ALB-BAT-3TW-CHWL	Lever	Chrome
TAP-ALB-BAT-3TW-PNWL	Lever	Nickel
TAP-ALB-BAT-3TW-BNWL	Lever	Brushed

Specification Data

Minimum flow pressure :	0.5 Bar (7.25 PSI)
Recommended flow pressure :	1 - 5 bar (14.5 - 72.5 PS) For pressure greater than 5 bar fit a pressure reducing valve
Maximum operating pressure :	10 bar (145 PSI)
Test pressure :	10 bar (145 PSI)
Maximum water temperature :	80°C (176°F)

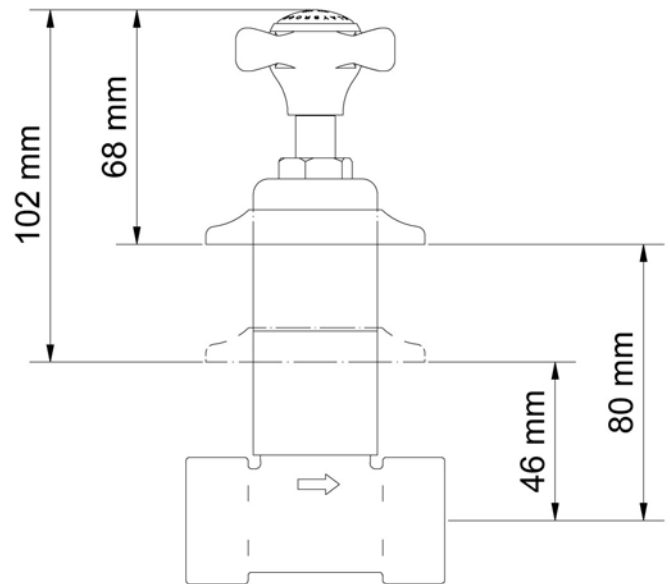


Please note, in wall plumbing for the connection of wall valves to spout is not provided and shown for illustration only.

Installation Guide - Wall Valve

Installation: Wall Valves & Roughs (HOT & COLD)

1. Remove the trims from the valve roughs and place the card templates over the valves.
2. Install the 3/4" valve rough into the wall ensuring that the direction of flow is as indicated on the rough body, failure to adhere to this will damage the valve. The valve rough must be installed with reference to the plumbing depth dimensions shown on the right. For lever handle products ensure that the left close wall valve rough is installed on the hot (left) side.
3. Plaster (and tile) around the card templates provided.
4. Remove the templates and with the **flange** over the **trim cover** push the whole trim assembly onto the valve rough. Ensure the female splined section of the trim assembly fully engages with the male spline of the **wall valve**. For lever handle products check that the levers are positioned horizontally when in the off position and are rotated towards vertical to turn on.
5. Screw the **trim covers** onto the valve roughs and tighten carefully.
6. Slide the **flange** back so that it is flush with wall. Use an appropriate silicone sealant to secure as required.



Packing List

Description	Qty
Cold Wall Valve Trim & Rough	1
Hot Wall Valve Trim & Rough (Item 1 Above)	1
Bath Spout + Set Screw (Item 3 Above)	1
Bath Spout Union (Supplied attached to spout)	1

Claybrook

123 Curtain Road
Shoreditch
London
EC2A 3BX

Tel 020 7052 1555



Claybrook.

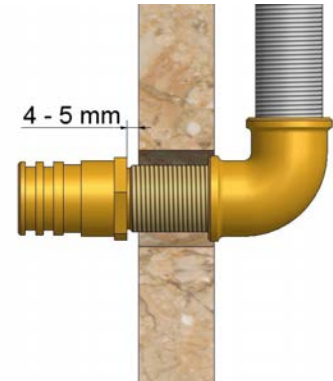
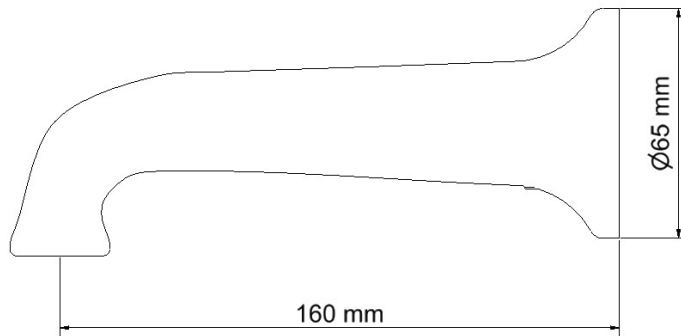
Concealed 3/4" Bath Filler

Customer Installation
and Homeowner Guide

Installation Guide - Bath Spout

Installation: Bath Spout

1. Arrange your in-wall plumbing so that the wall spout will be positioned at an appropriate height for your particular application.
2. Using the Allen Key provided, unscrew the grub screw and remove the wall spout union.
3. Connection should be made using a 3/4" BSP female fitting. The wall fitting should be arranged such that the rear of the hex on the union, once attached, protrudes 4-5mm from the wall. (*shown below*).
4. Apply thread tape or sealant to the spout union and thread into the in wall plumbing, as above check that the 4-5mm dimension is maintained.
5. Plaster (and tile) so that the 64mm diameter wall spout will cover the rough area.
6. Apply an appropriate sealant to the back of the wall spout and slide the wall spout over the union. Once the wall spout is in correct orientation, secure in position by tightening up the grub screw.



Homeowner Guide for Claybrook Bath Taps

Please take a few minutes to study this Homeowners Guide.

All information on this sheet is based upon the latest product information at the time of publication. We reserve the right to make changes in product characteristics, packaging or availability at any time without notice.

CARE AND CLEANING

Brassware (General)

To maintain the pleasing appearance of your Claybrook Bathroom product you must perform periodic and frequent cleaning. For best results clean using a mild soap, rinse thoroughly with warm water and blot dry with a clean, soft cloth. Allowing water to evaporate on metal will form water deposits, which may eventually cause corrosion.

Under no circumstances should an abrasive cleaner or combination cleaner/polish be used on these products. The abrasive nature of such products will eventually destroy the finish and void the warranty.

In the event of stubborn blemishes shown on the finish, we recommend using a window cleaner with a soft cloth, but we do not recommend it be used on an everyday basis.

EXPLANATION OF FINISHES

Chromium Plate (Chrome)

This is the hardest wearing finish, perfect for use in all situations, including high traffic public areas in commercial buildings.

Polished Nickel

This is a hard wearing finish, but will require use of a metal polish if its original appearance is required. Alternatively, a wipe clean with a soft cloth will allow the nickel to oxidise, eventually resulting in a dull pewter-like effect.

Brushed Satin Nickel

This finish is subtle and will resemble old pewter. For best results clean using a mild soap, rinse thoroughly with warm water and blot dry with a clean, soft cloth.

**Failure to comply with these cleaning instructions
may void the Claybrook warranty obligations**