



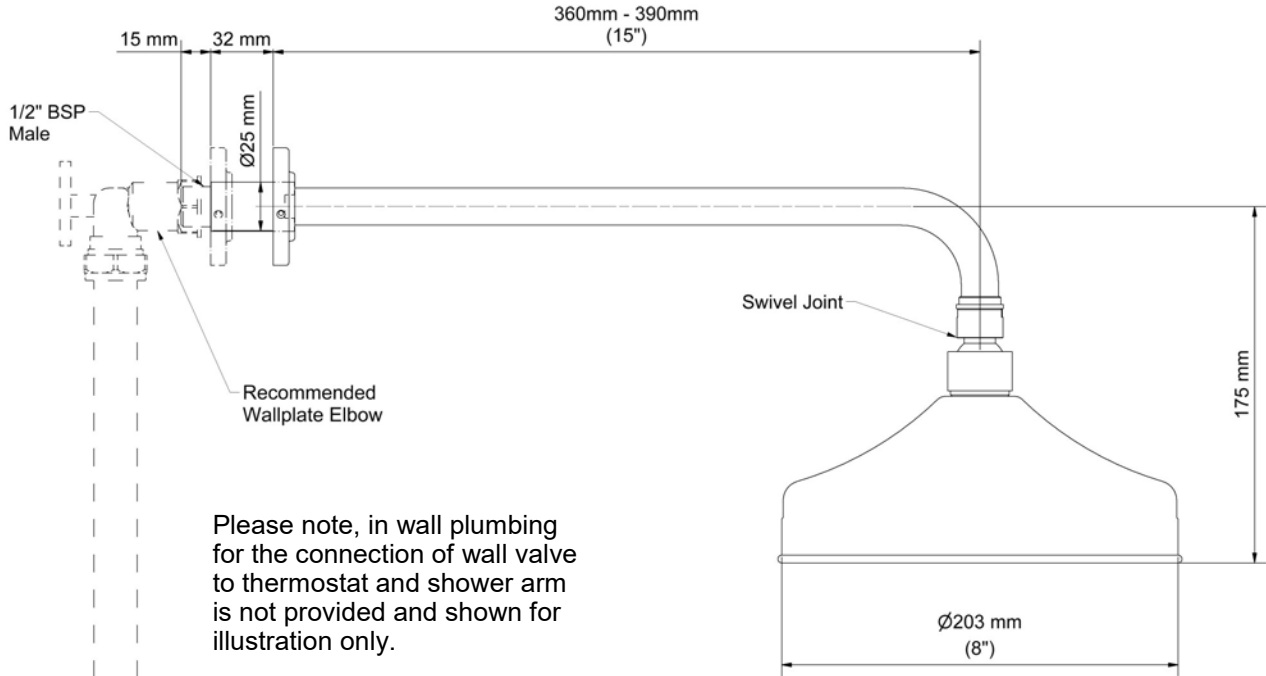
Claybrook.

Concealed Shower Kit Thermostat, Wall Valve, Shower Arm & Rose

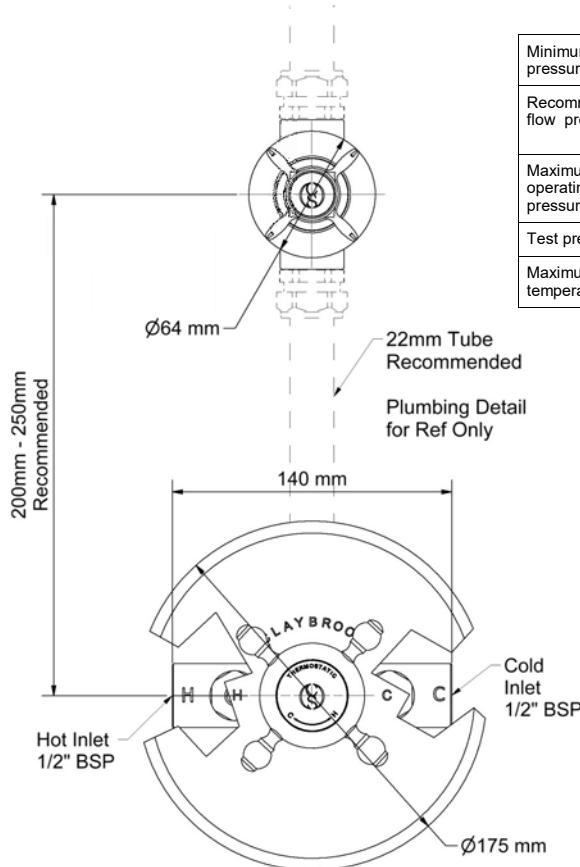
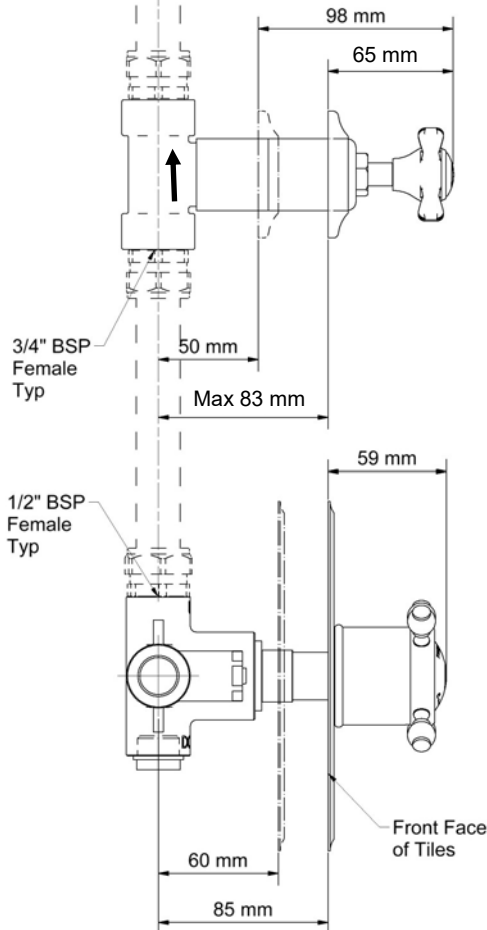
Customer Installation and Homeowner Guide

PRODUCT CODE	HANDLE	FINISH
SHO-ALB-CON-TSR-CH	X	Chrome
SHO-ALB-CON-TSR-PN	X	Nickel
SHO-ALB-CON-TSR-BN	X	Brushed

Specification Data



Please note, in wall plumbing for the connection of wall valve to thermostat and shower arm is not provided and shown for illustration only.



Minimum flow pressure :	1 Bar (14.5 PSI)
Recommended flow pressure :	1 - 5 bar (14.5 - 72.5 PS) For pressure greater than 5 bar fit a pressure reducing valve
Maximum operating pressure :	10 bar (145 PSI)
Test pressure :	10 bar (145 PSI)
Maximum water temperature :	80°C (176°F)

Claybrook

123 Curtain Road
Shoreditch
London
EC2A 3BX

Tel 020 7052 1555



Claybrook.

Concealed Shower Kit

Customer Installation and Homeowner Guide

PRODUCT CODE	HANDLE	FINISH
SHO-ALB-CON-TSR-CH	X	Chrome
SHO-ALB-CON-TSR-PN	X	Nickel
SHO-ALB-CON-TSR-BN	X	Brushed

Installation Guide - Concealed Thermostat

1 Plumb

Ø 22mm recommended

Ø 15mm

Cold

CHECK FOR LEAKS

DO NOT SOLDER

TEMPERATURE CALIBRATION REQUIRED

Max 85
Min 60

Do not over tighten! Use thread sealant or tape to create a seal seal lower outlet (plug provided)

2 Plaster & Tile

NOTE ROUGH-IN MARKS ON PLASTER GUARD LABEL

3 Cut (Threaded Sleeve)

Max 29
Min 17

IMPORTANT
Take care not to cut off too much!

4 Assemble

Silicone

APPLY SILICONE SEALANT TO THE BACK FACE OF TRIM PLATE

5 Cut Spindle

Max 14
Min 8

IMPORTANT
Take care not to cut off too much!

6 Final Assembly

SEE CALIBRATION GUIDE



Claybrook.

Concealed Shower Kit

Customer Installation and Homeowner Guide

PRODUCT CODE	HANDLE	FINISH
SHO-ALB-CON-TSR-CH	X	Chrome
SHO-ALB-CON-TSR-PN	X	Nickel
SHO-ALB-CON-TSR-BN	X	Brushed

Thermostat - Temperature Calibration

Calibrate

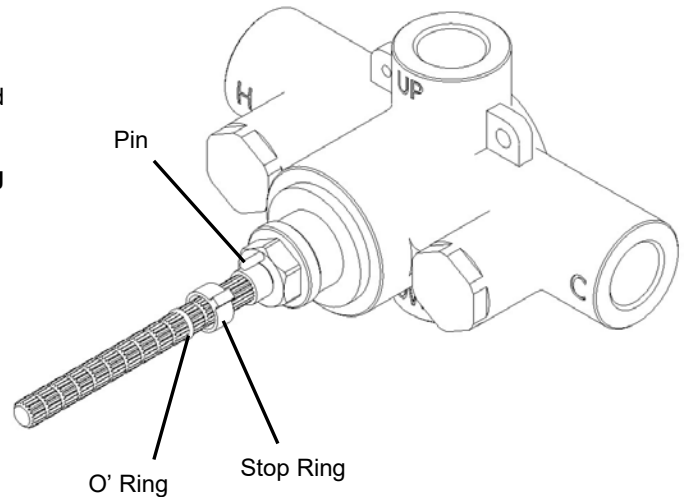
1. Remove the tile guard and brass threaded tube from the thermostat rough valve.
2. Slide the small **O' ring** along cartridge stem which will allow the temperature **stop ring** to be moved.
3. With the water running adjust the temperature to the desired maximum setting. Its is not recommended to higher than 45°C. Use a thermometer to confirm.
4. Without rotating the spindle, slide the temperature **stop ring** back into position aligning the lug with the **pin** so that the cartridge cannot rotate any further anti clockwise.
5. Slide the **O' ring** back into place to ensure the temperature stop is held in position.

Check

1. With water running rotate the cartridge clockwise then anticlockwise until the stop is reached. Re-check that the maximum temperature is no higher then 45°C.
2. If temperature is not as required repeat steps above.

Fit Handle

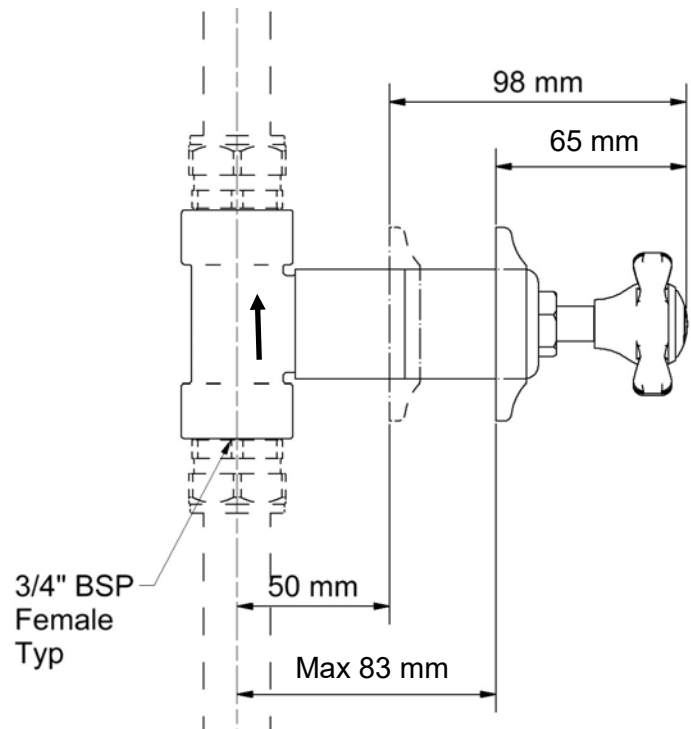
1. With water running rotate the spindle until the water is at approximately 38°C. With escutcheon plate and threaded retainer in place, attach the brass adaptor to the stem with the threaded hole positioned vertically. Retain with the supplied set screw. Slide the handle into position and attach using the securing screw into the lower hole.



Installation Guide - Wall Valve

Installation: Wall Valve & Rough

1. Remove the trim from the valve rough and place the card templates over the valve.
2. Install the 3/4" valve rough into the wall ensuring that the direction of flow is as indicated on the rough body, failure to adhere to this will damage the valve. The valve rough must be installed with reference to the plumbing depth dimensions shown on the right.
3. Plaster (and tile) around the card templates provided.
4. Remove the templates and with the **flange** over the **trim cover** push the whole trim assembly onto the valve rough. Ensure the female splined section of the trim assembly fully engages with the male spline of the **wall valve**.
5. Screw the **trim covers** onto the valve roughs and tighten carefully.
6. Slide the **flange** back so that it is flush with wall. Use an appropriate silicone sealant to secure as required.





Claybrook.

Concealed Shower Kit

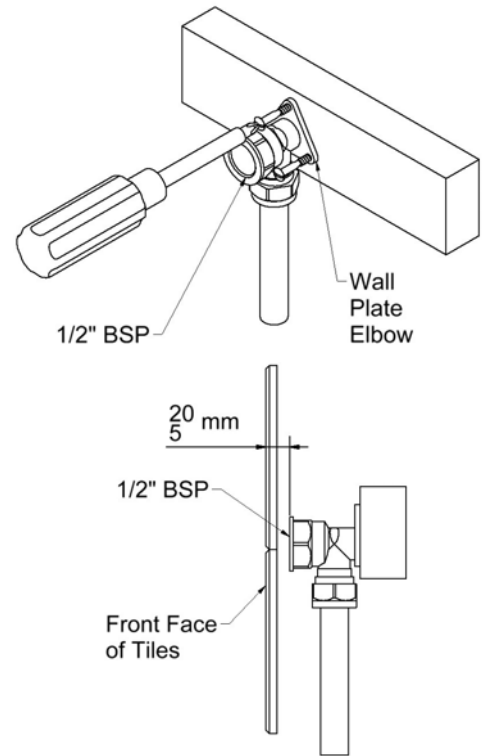
Customer Installation and Homeowner Guide

PRODUCT CODE	HANDLE	FINISH
SHO-ALB-CON-TSR-CH	X	Chrome
SHO-ALB-CON-TSR-PN	X	Nickel
SHO-ALB-CON-TSR-BN	X	Brushed

Installation Guide - Shower Arm

INSTALLATION

1. Arrange your in-wall plumbing so that the **shower arm** is positioned at an appropriate height for your particular installation. It is recommended to use a wall plate elbow as shown.
2. The **flange** is adjustable on the **shower arm** so that a neat installation can be achieved without the need to precisely position the internal pipework. The **shower arm union** should be connected to a 1/2" BSP female connection. Arrange the internal pipework such that the front face of your 1/2" BSP thread is between 5 and 20mm from the tiled face of the wall. (see image on right)
3. Cement into position, plaster (and tile) so that the 50mm diameter **flange** will cover the rough area.
4. Slide the **flange** over the **shower arm union** and screw the assembly onto your plumbing connection a couple of turns. Position the **flange** against the wall and mark the position of the 3 holes, then unscrew the **shower arm**.
5. Drill 3 holes where marked, take care to clear any in wall plumbing. Screw the assembly back onto the plumbing connection with the **flange** still positioned over the **shower arm union**. Tighten the **shower arm** so that the outlet faces directly downwards. Use an appropriate plumbing thread sealant or tape to ensure a water tight seal.
6. Slide the **flange** back against the wall and attach securely with the 3 **screws** provided. Tighten the 2 **set screws** against the **shower arm union** using the **Allen wrench** provided.
7. Attach your **shower head**.



Homeowner Guide for Claybrook Showers

Please take a few minutes to study this Homeowners Guide.

All information on this sheet is based upon the latest product information at the time of publication. We reserve the right to make changes in product characteristics, packaging or availability at any time without notice.

CARE AND CLEANING

Brassware (General)

To maintain the pleasing appearance of your Claybrook Bathroom product you must perform periodic and frequent cleaning. For best results clean using a mild soap, rinse thoroughly with warm water and blot dry with a clean, soft cloth. Allowing water to evaporate on metal will form water deposits, which may eventually cause corrosion.

Under no circumstances should an abrasive cleaner or combination cleaner/polish be used on these products. The abrasive nature of such products will eventually destroy the finish and void the warranty.

In the event of stubborn blemishes shown on the finish, we recommend using a window cleaner with a soft cloth, but we do not recommend it be used on an everyday basis.

EXPLANATION OF FINISHES

Chromium Plate (Chrome)

This is the hardest wearing finish, perfect for use in all situations, including high traffic public areas in commercial buildings.

Polished Nickel

This is a hard wearing finish, but will require use of a metal polish if its original appearance is required. Alternatively, a wipe clean with a soft cloth will allow the nickel to oxidise, eventually resulting in a dull pewter-like effect.

Brushed Satin Nickel

This finish is subtle and will resemble old pewter. For best results clean using a mild soap, rinse thoroughly with warm water and blot dry with a clean, soft cloth.

Failure to comply with these cleaning instructions may void the Claybrook warranty obligations