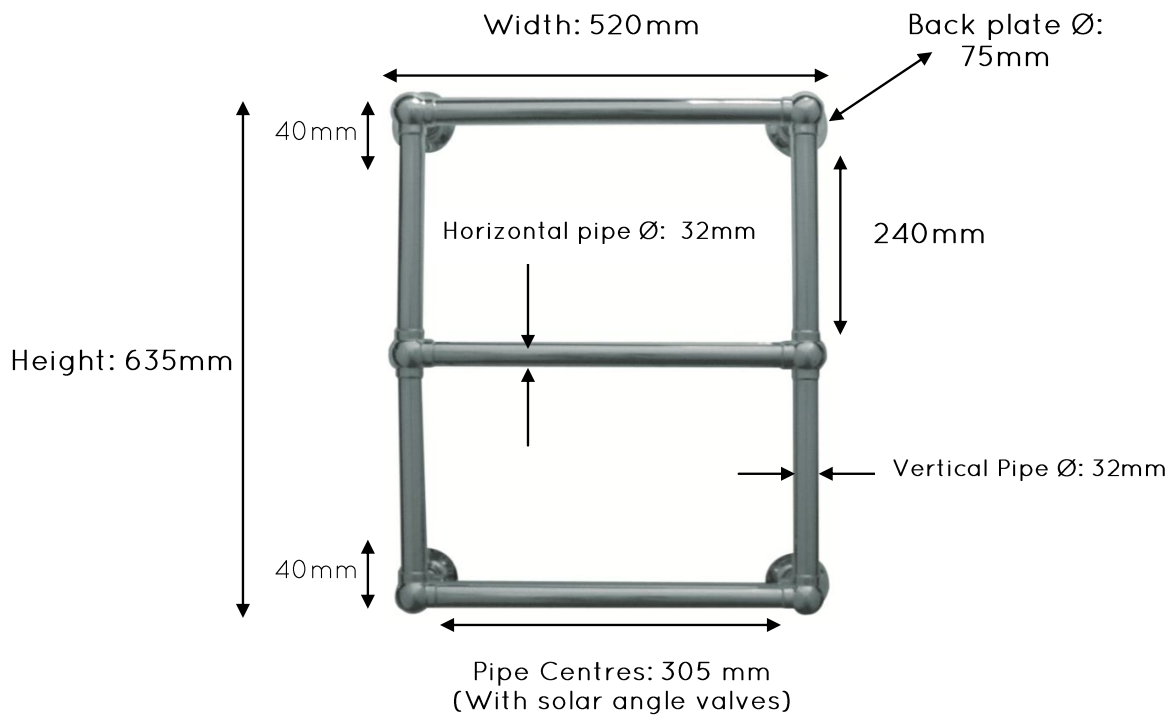


Claybrook.

# DEARBORN

Heated Towel Rail



Overall Projection: 150mm  
Pipe Centres from the Wall: 50mm

Print colours may vary from original.

If you require any further assistance regarding specification data and technical advice please contact us at [enquiries@claybrookstudio.co.uk](mailto:enquiries@claybrookstudio.co.uk)



Claybrook.

# DEARBORN

## Care and Maintenance Instructions

### IMPORTANT NOTES:

Please Read Carefully & retain these instructions for Future Reference.

#### General Product Notes

Dearborn Classic Wall, 520mm (w) x 635mm (h).

Available in central heating and electric formats. Dual fuel to special order, please contact our showroom for further information.

For this model there is a separate electric element inlet connection on the bottom right hand side.

In addition to the rail you will need to choose a suitable heating accessories pack. \*\*(If ordering an electric element, we will always supply installed on the right hand side, unless requested otherwise)

100% Stainless Steel.

Available in Polished, and Brushed Satin Finishes.

This model has side tapping's so the pipe centres will be dependent on the type of valves. We would advise having the radiator and valves on site before installing your first fix.

Being a traditional style rail, the brackets are not adjustable.

25 Year guarantee on the body and finish in Polished and Brushed Satin

### USE:

#### General Care & Maintenance

Provided this product is installed & used in accordance with the instructions, problems should not arise. However, should maintenance be required it should be carried out by a competent person with reference to the instructions. Before any work is carried out the root cause of the problem must be identified.

Under normal circumstances, towel rail surfaces are highly durable however small scratches / marks may occur, if the rail is a Polished Finish these can generally be polished out using a specialist Stainless Steel Metal Polish. If your rail is a Satin or Black Finish please contact us for advice before attempting to polish out any small scratches / marks.

#### Cleaning

We recommend using a Micro-Fibre Cloth designed for use on Stainless Steel. All that is needed to clean the products is water. Under no circumstances use abrasive, caustic or scouring products as these may adversely affect the finish of the rail. Avoid using chemical cleaners on nearby surfaces such as chemical Tile Cleaners etc as these may cause damage. Limescale ~ should a build-up of limescale occur, it can usually be removed using a 50:50 solution of white vinegar & water applied with a soft cloth & rinsed / dried thoroughly afterwards.

#### Guarantees

Guarantees in all cases are subject to the products being installed in accordance with British standards as well as those directed by the installation instructions. The guarantee in all cases is restricted to a free of charge replacement or repair of the failed product only.

Claybrook Studio Ltd liability will under no circumstances extend beyond the repair or replacement of the product. Claims for either labour to replace the product or damage to property are not admissible.

#### Spares

Spares can be ordered and purchased from Claybrook Studio should you require replacement parts.

If you require any further assistance regarding specification data and technical advice please contact us at [enquiries@claybrookstudio.co.uk](mailto:enquiries@claybrookstudio.co.uk) 020 7052 1555

