

# DECK MARBLEFORM BASIN

Rectangular Basin - Wall hung/Counter top

560 x 300 x 180 mm  
22.05 x 11.81 x 7.09 inches

Please order Chrome/Marbleform or suitable waste separately.  
If fixing to the wall please order brackets separately.



UV Resistant



Stain Resistant

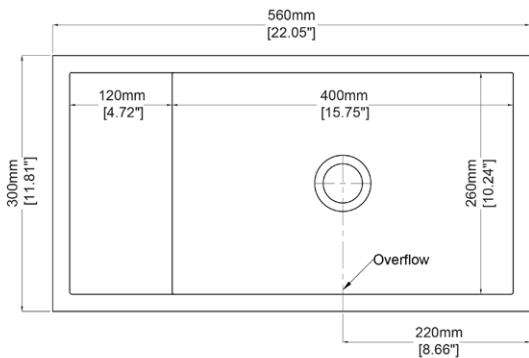


Easy to Clean and Maintain

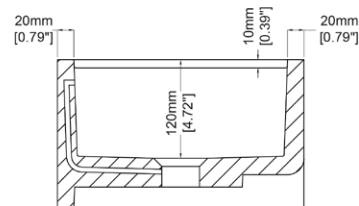
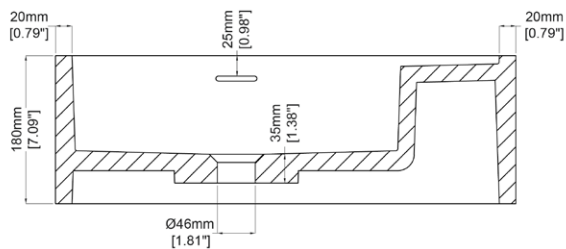


International Fire-spread Compliant

Description	Available Colours
Reconstituted stone basin with overflow Overflow positioned on the inside front edge of basin.	This item is available in all of our MarbleForm® colours, please refer to the colour palette online.



Technical Information	
<b>Weight</b>	20 kg / 44 lbs
<b>Weight with Water</b>	29 kg / 64 lbs
<b>Capacity</b>	9 L / 2.38 US gal
<b>Water Depth to Overflow</b>	89 mm / 3.5 "



\* All measurements are subject to change and variation.

\* This specification sheet should not be used as an installation guide. Please see Fitting Instructions on our website under Downloads.

\*\* Please refer to separate Specification Sheet for mounting bracket details. Brackets sold separately.

If you require any further assistance regarding specification data and technical advice please contact us at [enquiries@claybrookstudio.co.uk](mailto:enquiries@claybrookstudio.co.uk)

