

AYLA WALL HUNG BASIN INSTALLATION INSTRUCTIONS

BEFORE YOU BEGIN

Caution:

To ensure safety please obtain sufficient help to lift or move the basin carefully.

Important:

Please make sure the following items are located and retained before the packaging materials are discarded.

- Pop-up waste x 1 (If included.)
- Brackets x 2 (If included.)
- Installation manual
- After care manual

We recommend consulting a professional if you are unfamiliar with installing this type of product.

Claybrook accepts no liability for any damage to the floor, walls, plumbing, sink or personal injury during installation.

Unpack and inspect the basin for damage. If any damage is found, please contact our Sales Representatives. Damage must be reported within 12 hours of delivery.

GETTING STARTED

Ensure that you have gathered all of the required materials that are needed for the installation. Because wall construction and materials vary from home to home, Claybrook does not provide fastening hardware.

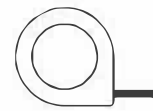
The supporting brackets must be fastened directly to either a masonry wall or framing in a framed wall. Solid blocking should be in framed walls to receive the mounting bolts (User supplied). Brackets should not be installed on top of drywall or finish tile.

For the following instructions, it is assumed that the in-wall plumbing has already been prepared.

TOOLS AND MATERIALS



Pencil



Tape Measure



Level



Stud Finder



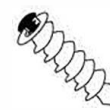
Silicone Sealant



Drill



Bolt
(Recommend By Installer)



Anchor
(Recommend By Installer)



Blue Tag/ Masking Tape

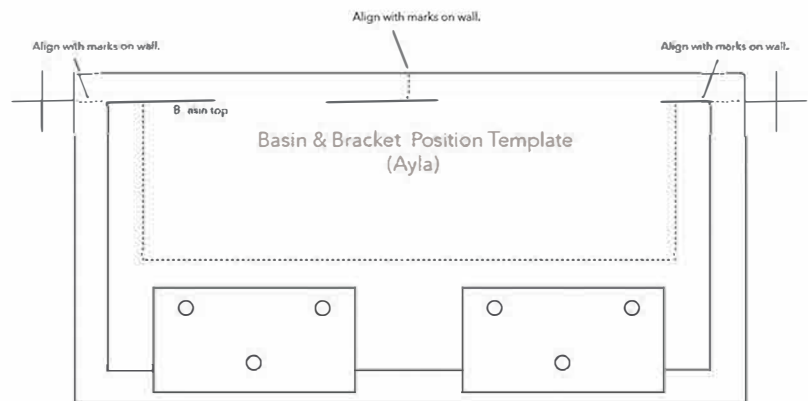
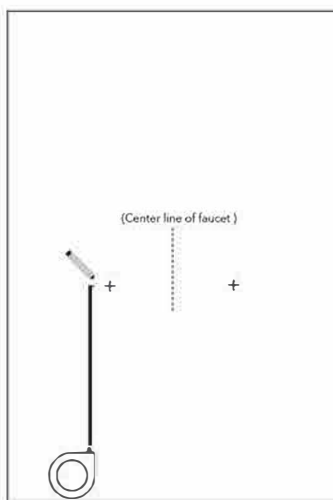


WALL HUNG BASIN INSTALLATION INSTRUCTIONS - Ayla -

INSTALLATION

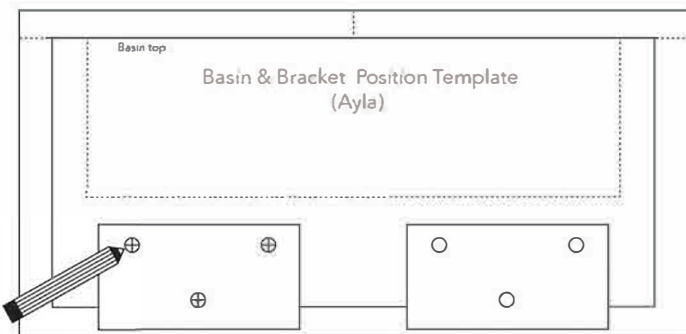
1. Use the provided template during framing and plumbing rough-in to locate where the wall needs to have blocking installed and plumbing installed. Approximately 6"(150mm) from basin top to floor is recommended.

Use blue tag or masking tape to set the position. Ensure that the template is level, mark the height on the wall and align with the dash line where marked "Basin top". Recommend approximately 33.46"(850mm) - 35.43"(900mm) from the basin top to the floor.



Important: Use the provided template during framing and plumbing rough-in to locate where the wall needs to have blocking installed and plumbing installed.

2. Use the pencil to pinch a hole and mark the location of the bracket mounting holds on the wall.



3. Remove "Basin & Bracket Position Template". Drill pilot holes at the marked locations of the bracket's mounting holes.



Important: Attaching the brackets to a solid finished wall is required.

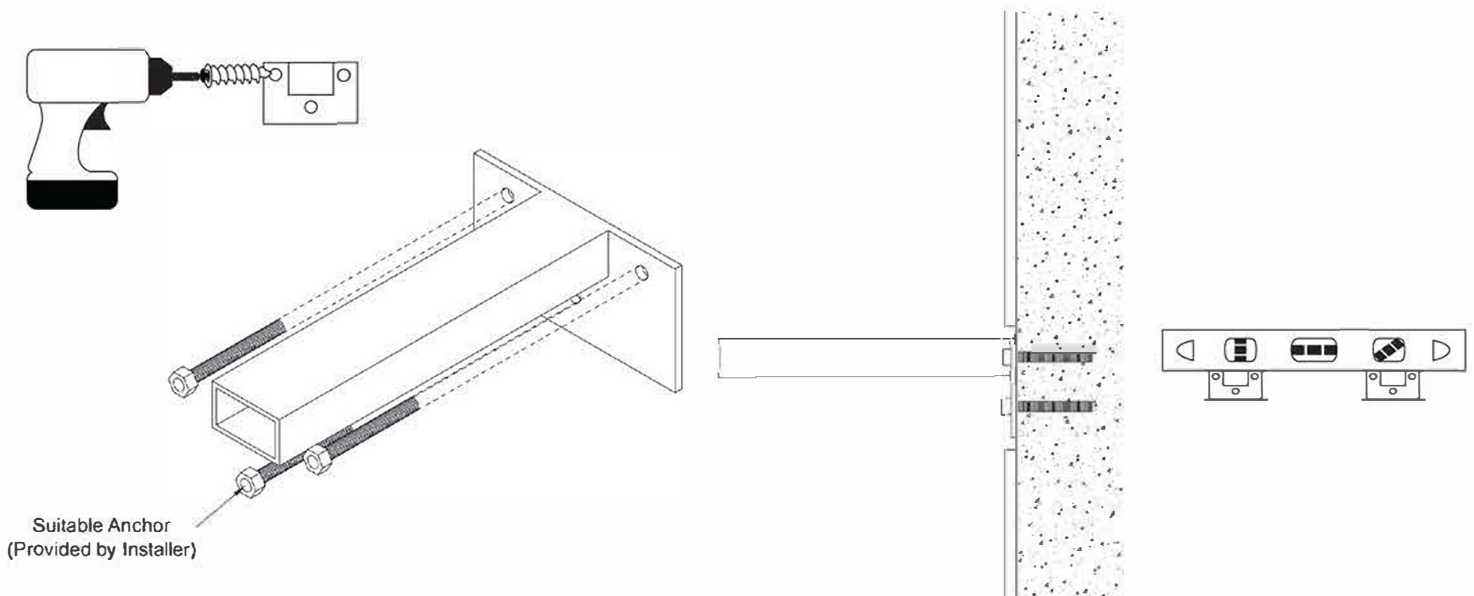
Consult a professional if you are unsure, or unfamiliar with this type of installation.

WALL HUNG BASIN INSTALLATION INSTRUCTIONS - AYL -

INSTALLATION

4. Installing the brackets

The brackets need to be secured and fixed with suitable anchors to a solid wall structure that can support the weight of the basins. The installer is required to provide proper anchors for supporting bracket. After installing the brackets, make sure the brackets are level with leveler.

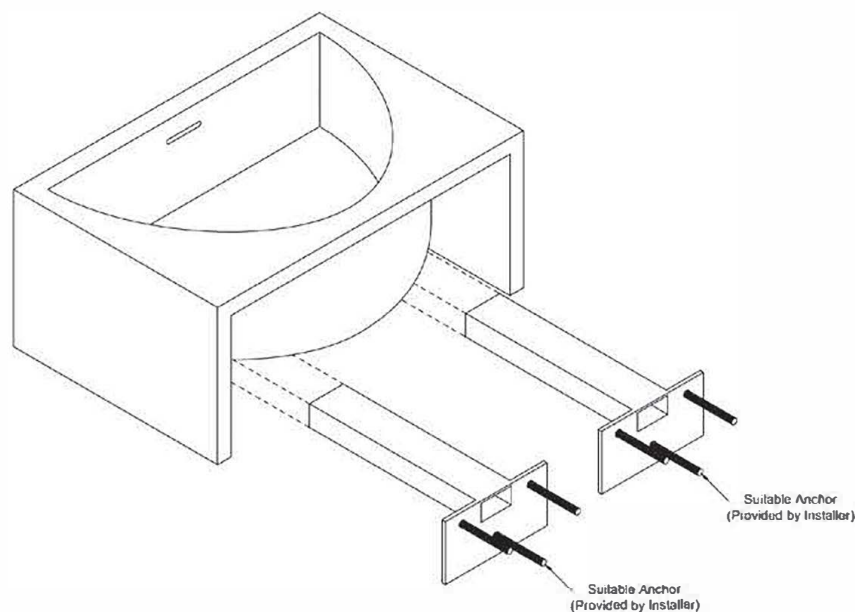


Important: The basin should be anchored to solid finished wall. We recommend consulting a professional if you are unfamiliar with this type of installation.

5. Bracket position

Brackets should be placed within the underside recess of the basins at a balance distance to ensure even distribution of weight.

(Please refer to the provided specification sheet for more guidance of position on specific basin.)

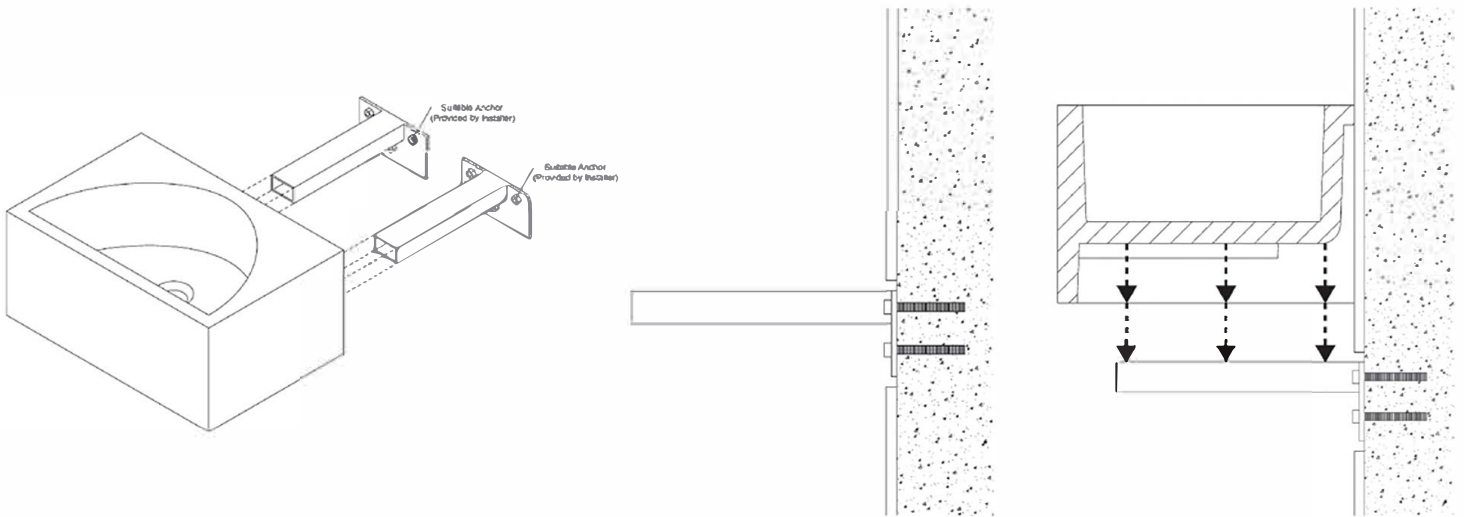


WALL HUNG BASIN INSTALLATION INSTRUCTIONS - AYL -

INSTALLATION

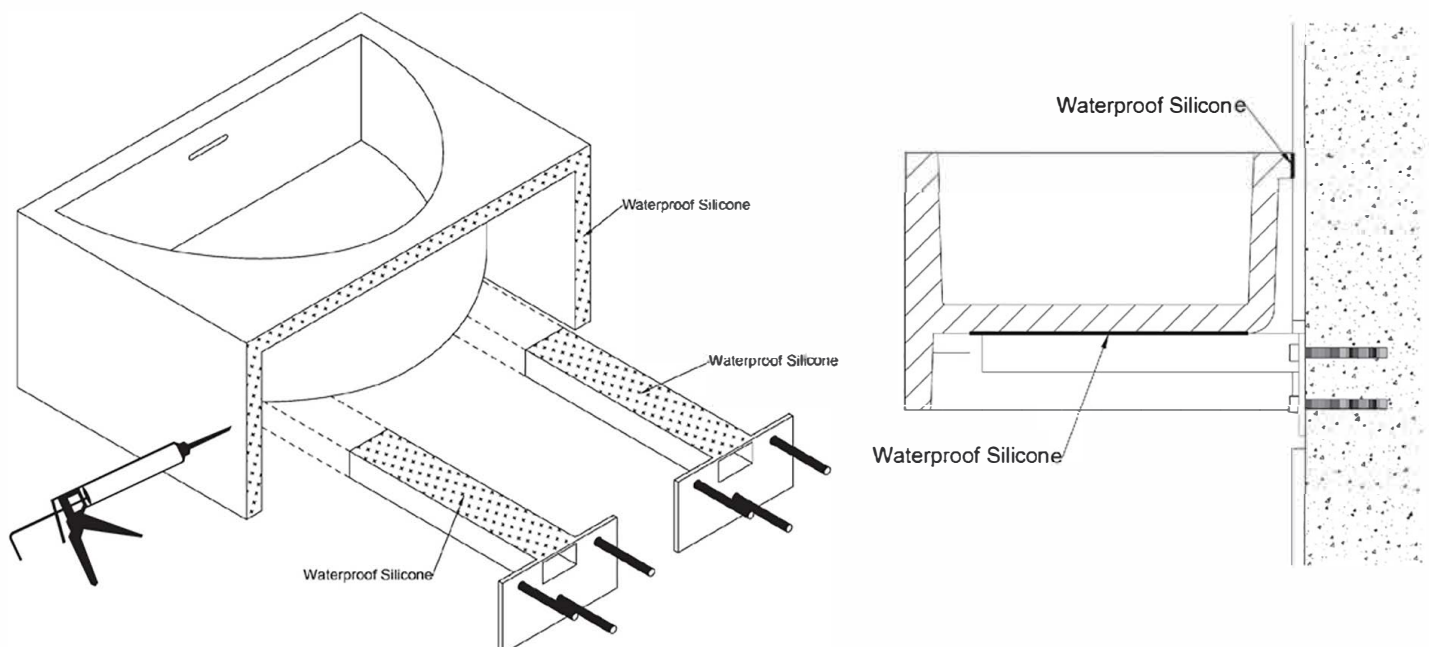
6. Position the basin on the brackets

Placing the basin onto the brackets and position carefully. Double check the basin is level. If an adjustment is needed, leveling with packers or shims will be required prior to adhering the basin to the brackets.



7. Securing the basin to the brackets

Once everything is aligned and position correctly, sufficient waterproof silicone will need to be applied between brackets, the basin and finished wall surface. Silicone required 24 hours to cure.

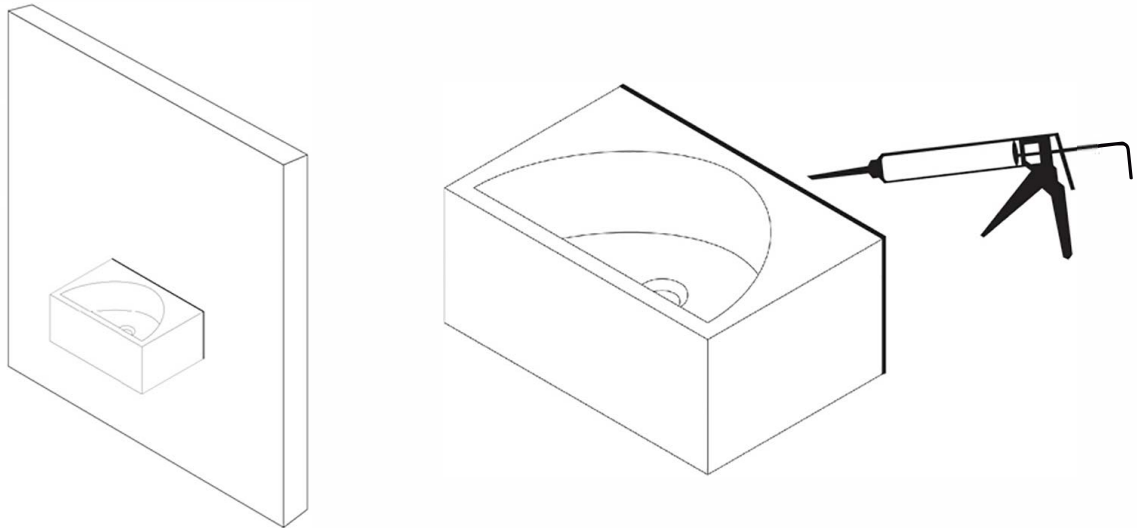


WALL HUNG BASIN INSTALLATION INSTRUCTIONS - AYLA -

INSTALLATION

8. Touch-up edges

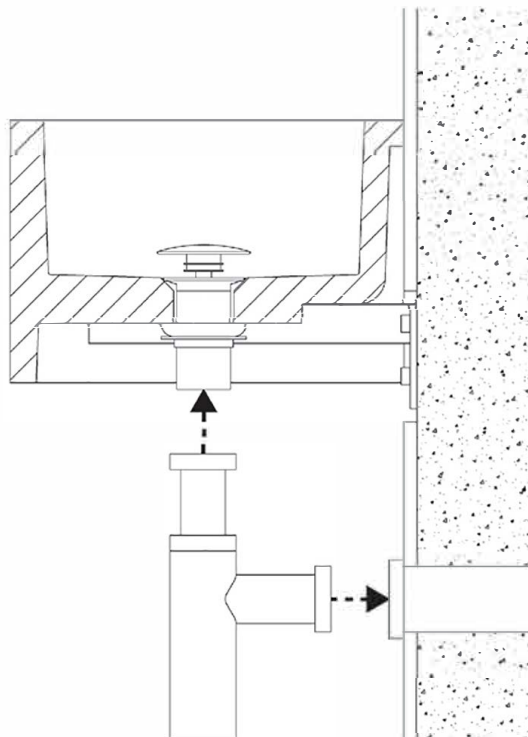
Complete the installation by applying a thin bead of silicone around the back of the sink, where it meets the wall. This will prevent water from getting behind the sink, which could damage drywall. Waterproof silicone normally requires 24 hours to dry.



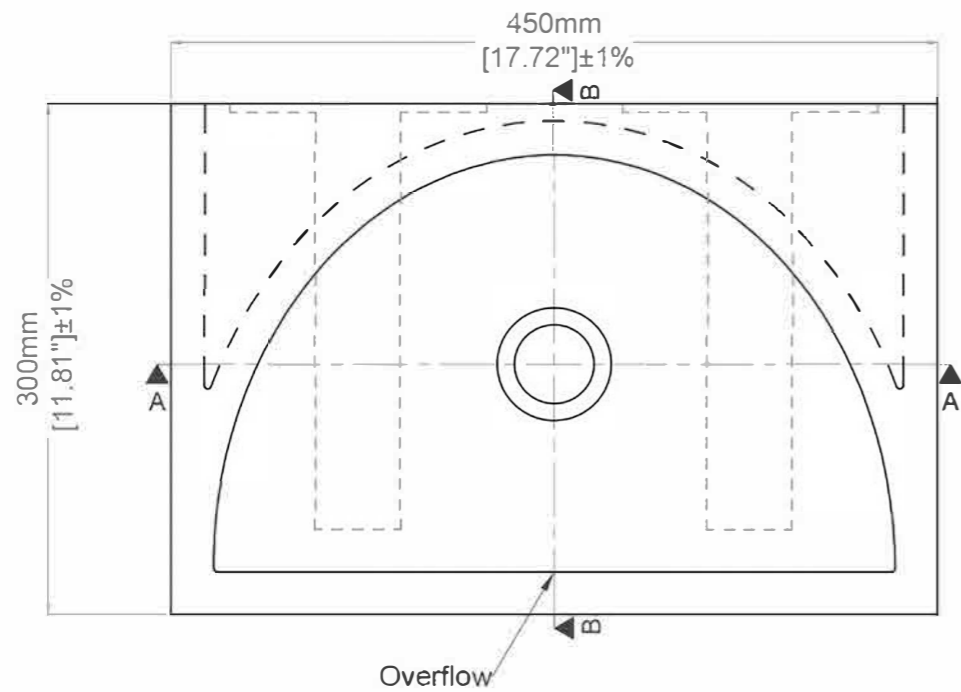
9. Waste & trap

Proceed to the installation of the drain trap, water supply lines, and sink faucet if not already installed. Refer to their respective installation instructions for guidance if needed.

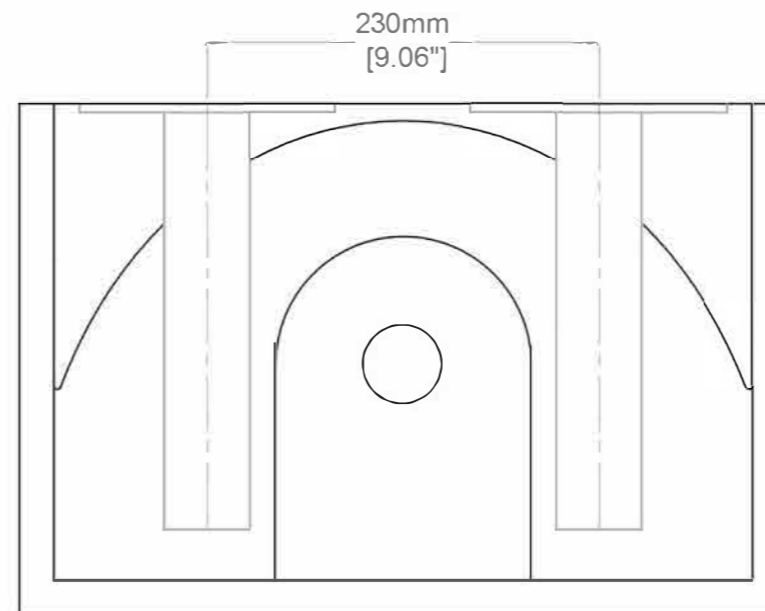
Please take care when installing wastes, traps and deck mounted taps. Do not over-tighten.



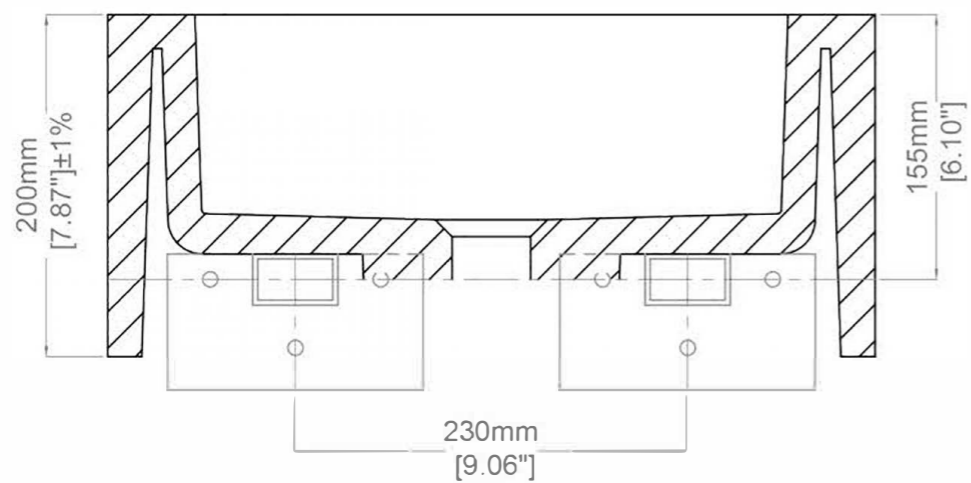
Claybrook.



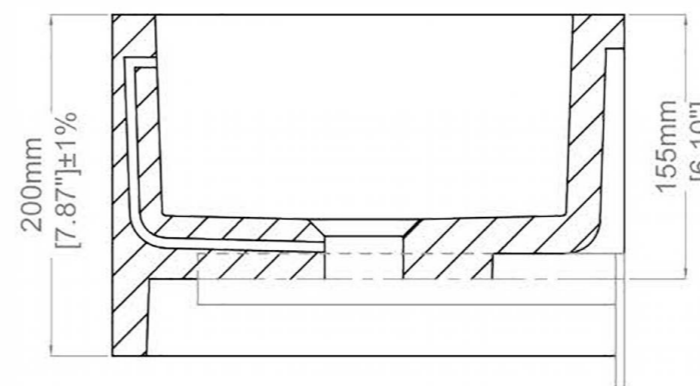
TOP VIEW



BOTTOM VIEW



SECTION A-A



SECTION B-B

Item: AY LA

SCALE: NOT TO SCALE

SIZE: 450 x 300 x 200

MATERIAL: Marbleform

POP-UP WASTE:

NET WEIGHT: Approx.kg See Product Sheet
 WATER CAPACITY : Approx.L
 TOTAL WEIGHT : Approx.kg

Notes:

1. All dimensions in millimeters (mm) unless otherwise stated.
2. Do not scale drawing, figured dimensions are to be followed.
3. Dimensions will subject to actual product.
4. Tolerances unless otherwise specified:
 All external dimensions of 200mm and greater : ±1%
 All dimensions less than 200mm : ±3 mm
 All corners to be R2 unless otherwise stated
5. This drawing in design and details is the property of Claybrook and may not be used except in connection with Claybrook work.

 All right of design or invention are reserved.
6. All radii as described are subject to tolerances & are intended purely as indicative & may not be relied upon for any purpose.
7. The flatness of any edge or surface shall not exceed 3.5 mm/M.

 if the length of the surface greater than 1000 mm , then shall not exceed 5 mm/M.
8. Some waviness in an enameled surface is unavoidable and is not cause for rejection.
9. The fixture shall be examined with the eyes of the observer about 2 ft (610 mm) from the surface observed.
10. The cost should be revised if there any special requirement on tolerance and cosmetic requirement.

Claybrook.

After Care Manual

To help maintain your Claybrook basin

MarbleForm is a characteristically hard-wearing material used for many application. MarbleForm like any natural stone can be damaged by stain, scratch and cracking if not treated with care. Our basins were sealed to ensure and maintain quality finish of the final product.

- Avoid leaving liquids containing acids or alkali as these many cause erosion to the surface.
- Avoid leaving sharp object on the surface that may cause scatches.
- Avoid using strong detergents and acids on surface of the materials.
- All Claybrook basins must NOT be rubbed with abrasive materials such as metal pads or wire wool as this may result in scratching and permanent damage to the MarbleForm. When cleaning your basins, please use a non abrasive cloth and a PH neutral cleaner.
- Avoid impact from heavy objects directly onto the MarbleForm surface. Although MarbleForm is a very durable material, heavy impact can cause chipping, cracking and breakages.
- As an additional protective barrier, apply sealer regularly for protection. Claybrook cannot be held responsible for defects in sealing carried out by third parties

Following these guideline will limit the effects of everyday use and keep your MarbleForm basin in the best condition.

For further information or advice please contact your Sales representative or email us at : enquiries@claybrookstudio.co.uk