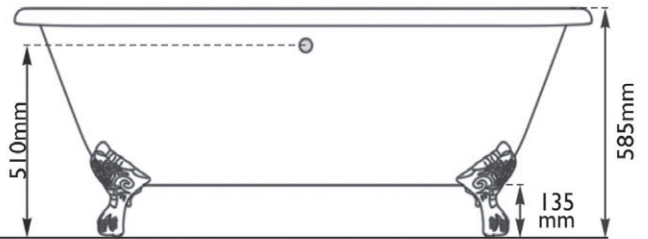
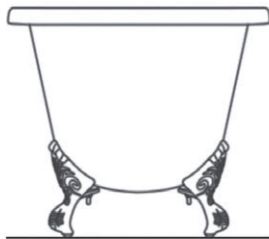
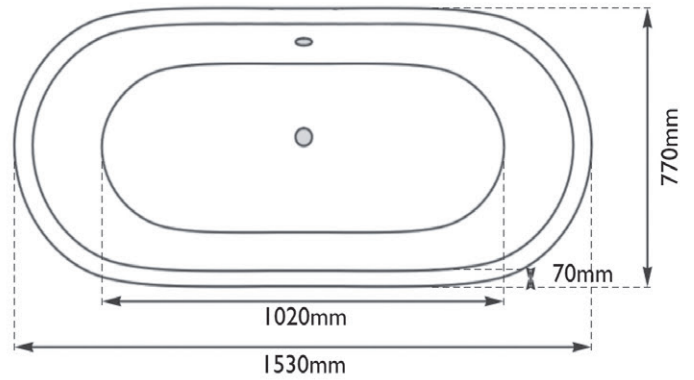


Claybrook.

GEORGETOWN BATH

Cast Iron Claw Foot Freestanding Bath



TECHNICAL INFORMATION

Bath code	BAT-GEO-CAT-FSD-DGY-OTH
Size	L1530 x w770 x h585mm
Body	Cast iron painted in Mid-French Grey
Bath feet	Painted Soft White
Bathing weight	132.5kg
Tap Holes	Only available without

Due to the handmade nature of our products/casting processes, sizing can vary by up to 3%.
First fix should not be undertaken until the product has arrived on site for physical measurements to be taken.

Print colours may vary from original.

If you require any further assistance regarding specification data and technical advice please contact us at enquiries@claybrookstudio.co.uk



Claybrook.

GEORGETOWN BATH

Cast Iron Claw Foot Freestanding Bath

Vitreous Enamel Interior:

A thin layer of glass is fused at high temperatures on to the surface of the cast iron

During the process, the vitreous enamel will follow the contours of the hand cast bath or basin, creating natural undulations within the surface texture that gives a handmade appearance.

There may be small pin holes in the enamel surface and sometimes minute black specks which all result from the nature of the manufacturing process and are to be expected.

Care instructions:

Use a solution of soapy water and apply with a soft cloth or sponge in a brushing motion. Do not use wire brushes, steel wool & abrasive sponge pads. Rinse thoroughly with water immediately after the application of cleaners and wipe the surface leaving it completely dry after the process.

Do not allow cleaners to sit or soak on the surface and avoid dripping taps.

It is important not to use acidic cleaners or sprays as this will affect the surface of the bath and may result in small brown particles building up on the enamel surface or staining.

Manufacturers 5 Year Guarantee Terms and Conditions:

This guarantee does not affect your statutory or other legal rights and is subject to the following conditions:

1. The product was purchased from an authorised retailer, within the United Kingdom or Republic of Ireland.
2. The product is used in domestic applications only.
3. The guarantee applies solely to the original purchaser with proof of purchase and therefore is not transferable.
4. The bath must be available to access for the purpose of inspection, maintenance or replacement.
5. Under no circumstances do Claybrook accept liability for any consequential loss or damage arising in the connection with any goods, material, or service supplied by Claybrook.
6. All products should be installed and maintained in accordance with the instructions provided.
7. Repair under this guarantee does not extend the original expiry date. The guarantee on any replacement parts or product ends at the original expiry date.
8. Any part found to be defective during the guarantee period will be replaced without charge, providing that the product has been installed in accordance with the instructions given in this guide and used as the manufacturer intended.
9. If the product is no longer available, we will endeavour to provide the nearest equivalent.

The guarantee does not cover:

10. Damage or defects caused by - General wear and tear, including special non-chrome finishes, components such as filters, seals, 'O' rings and washers - Incorrect installation - Accidental or wilful misuse - Corrosion and the use of inappropriate cleaning products. - System debris in eluding the build-up of limescale, which can be controlled through regular servicing and maintenance
11. Compensation for loss of use of the product or consequential loss of any kind. In the interests of continuous product improvement, Claybrook reserves the right to alter product specifications with out notice.
12. In the unlikely event that you encounter a problem with your bath, please contact the retailer from whom you purchased the bath. Claybrook will visit and inspect the bath to advise as to whether it is due to a manufacturing fault or an installation defect. If the problem is due to a manufacturing fault, they will report back to the manufacturer to arrange further inspection and, if deemed to be a manufacturer's defect, a replacement product as soon as possible.

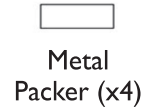
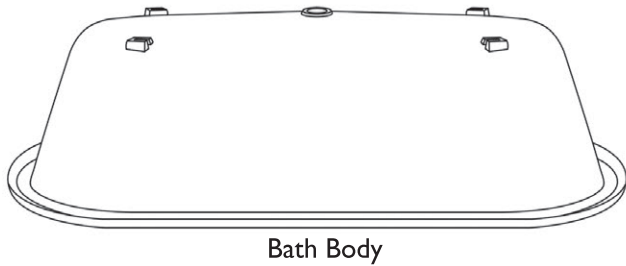
If you require any further assistance regarding specification data and technical advice please contact us at enquiries@claybrookstudio.co.uk



GEORGETOWN BATH

Fitting Instructions

Contents



Bolt (x4)



Nut (x4)

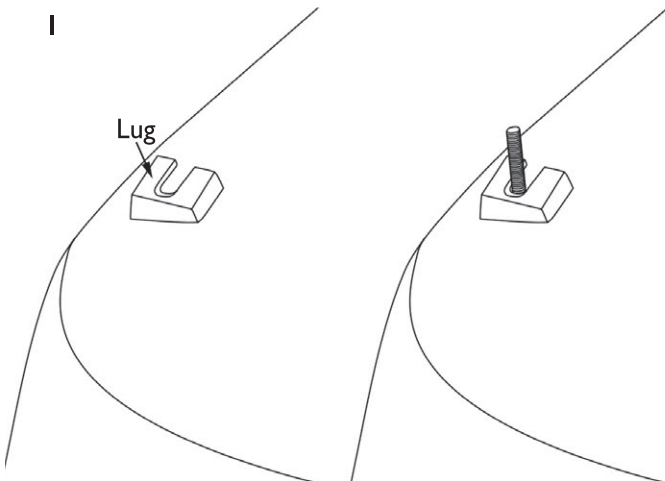


Spiral Washer (x4)



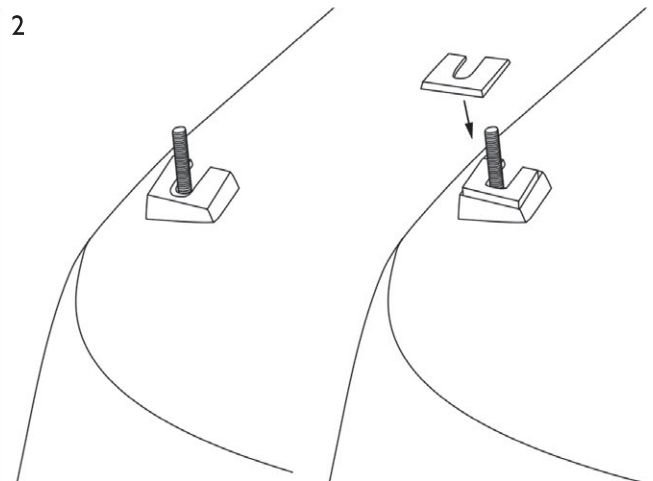
Washer (x4)

1



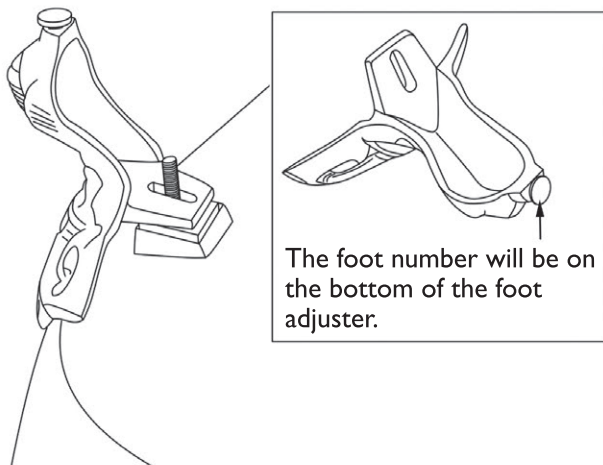
Insert bolt, head down, into the first lug.
Please note: the lugs are numbered from 1 to 4, these will correspond to the feet which are also numbered 1 to 4.

2



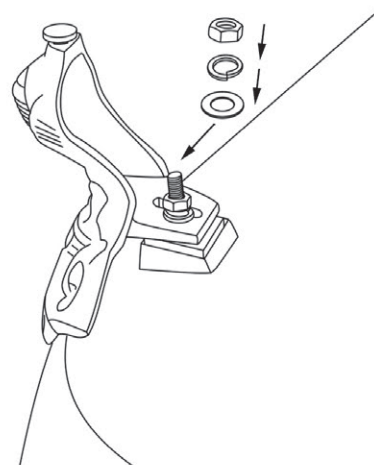
Pass the rubber wedge over the bolt.

3



Place foot over bolt - the number on the foot must match the number on the lug. When placing the foot on the bath, match it to the contour of the bath and take care not to scratch paint on the bath body.

4



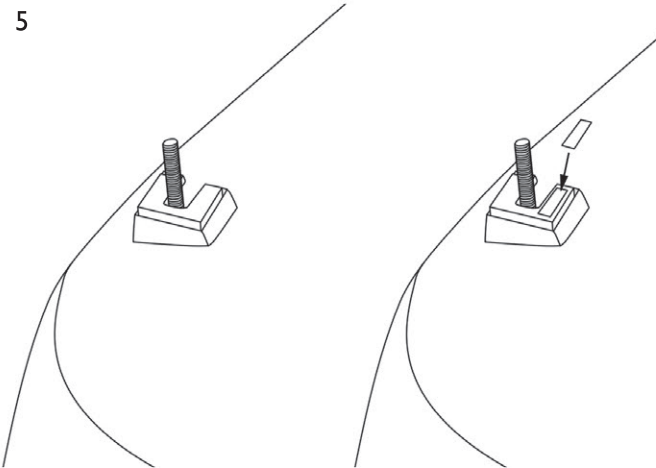
To secure the foot to the bath body, place the washer followed by the spring washer and nut over the bolt and then tighten the nut with a spanner. Steps 1 to 3 should then be repeated for the remaining 3 feet - remember to match the correct numbers.



GEORGETOWN BATH

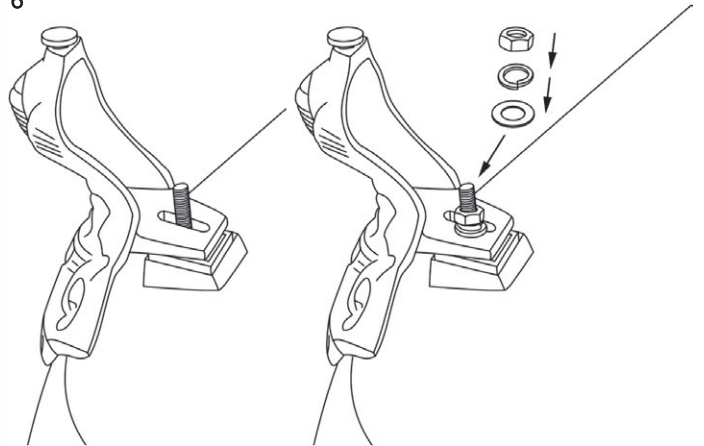
Fitting Instructions

5



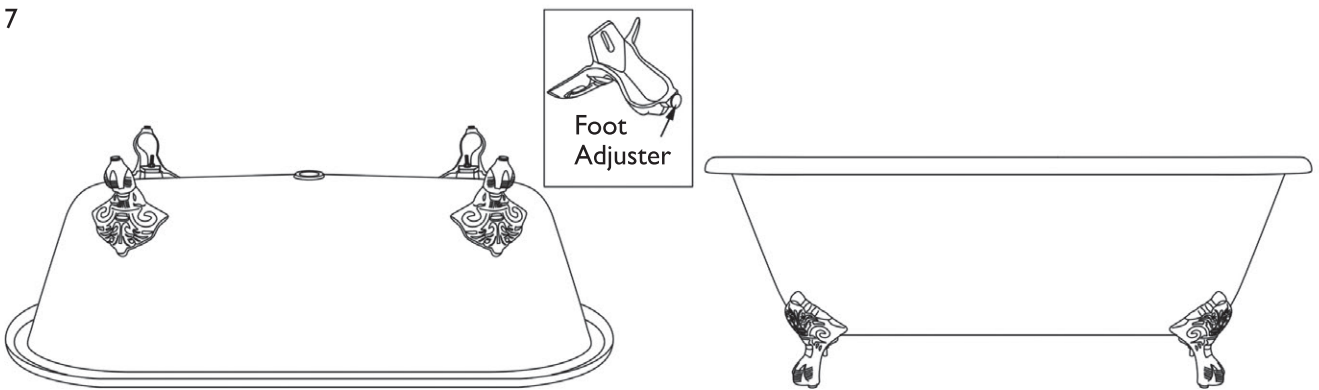
If there is movement in the foot once tightened, the metal packer can be used to achieve a tighter fit. The foot must be removed and then place the metal packer on the rubber wedge.

6



Repeat steps 3 and 4.

7



Once all feet are securely attached, the bath can be turned over. The bath is heavy, so adequate manpower is required to avoid injury. If the bath is on uneven ground, the foot adjusters can be turned to stabilise the bath.