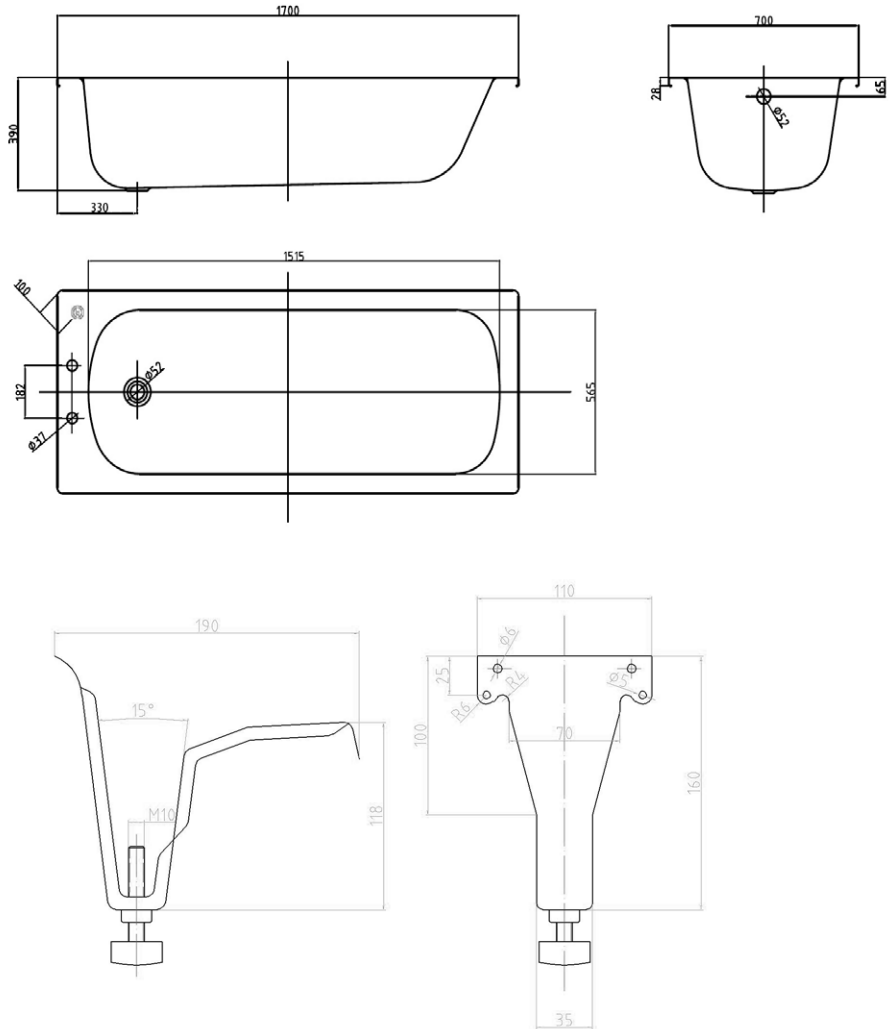


Claybrook.

HAYES BUILT IN BATH

Two Tap Holes

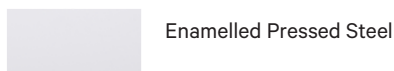


BAT-HAY-STE-BIB-SEW-2TH

Size: L1700mm x w700mm x h390mm plus bath foot

MATERIAL: Enamel and Steel

FINISHES:



Enamelled Pressed Steel

Please order waste separately

TECHNICAL INFORMATION

Basin weight	28 kg
Weight with water	203 kg
Capacity	175 L
Water depth to overflow	315 mm
Bathing well wrea (at overflow)	1457 mm x 533 mm
Bathing well area (to bottom)	1080 mm x 260 mm
Stainless steel thickness	1.8 mm

Print colours may vary from original.

If you require any further assistance regarding specification data and technical advice please contact us at enquiries@claybrookstudio.co.uk

