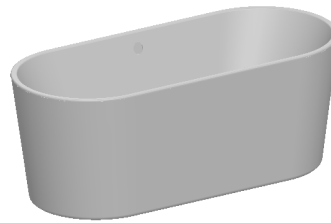
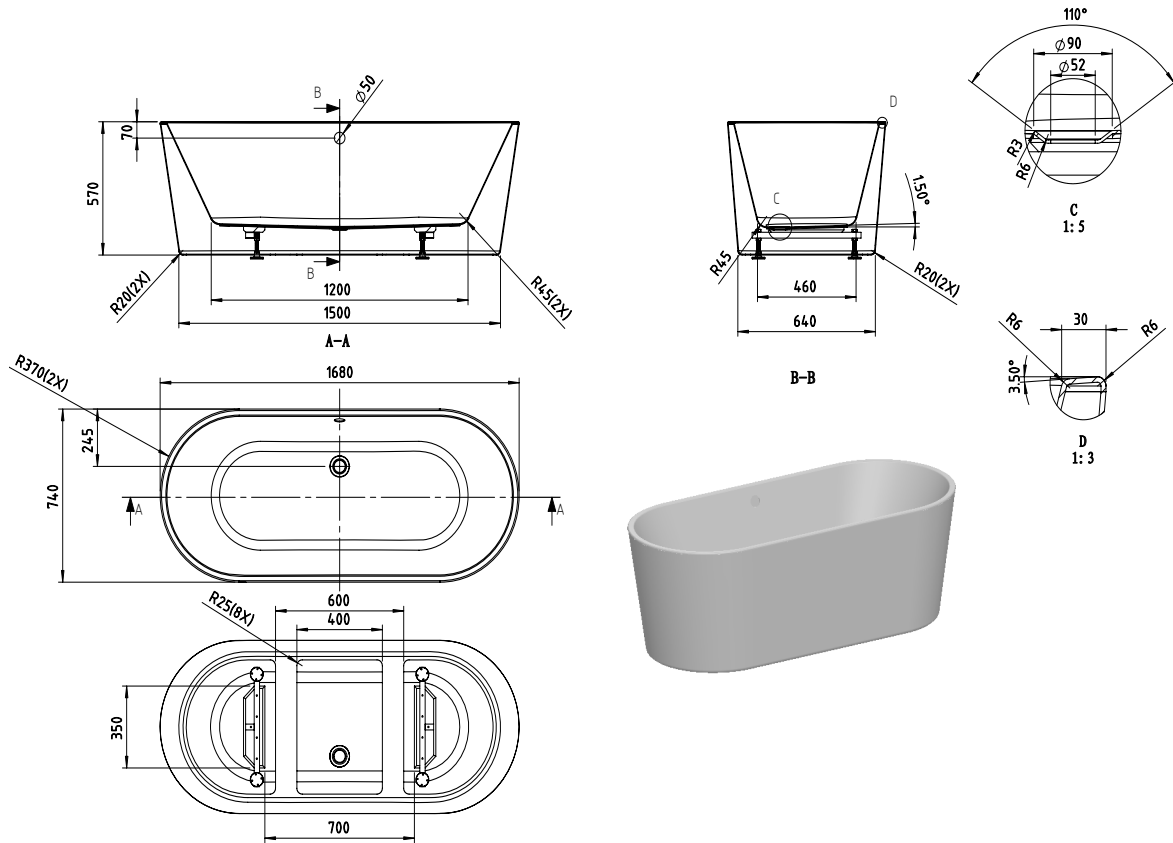


Claybrook.

MADISON BATH

Acrymite Acrylic Freestanding Bath 1680



TECHNICAL INFORMATION

Bath code	BAT-MAD-ACR-FSD-WHI-OTH-1680
Size	L1680 x w740 x h570mm
Finish	Gloss White
Material	Acrymite Acrylic
Tap Holes	Only available without
Water Capacity	245 Litres
Bath Weight	45 kg

Notes:

Madison Freestanding Bath is manufactured using a unique Acrymite® system to give a seamless, glossy finish. It has a slim rim and generous bathing area. It is available in three sizes – 1580mm, 1680mm and 1780mm. The U-bend must go below the floor level so please allow for this when specifying.

Important: It is not possible to fit an overflow filler to this bath. Comes supplied with Chrome overflow and waste fitted. If you require an alternative finish to standard chrome overflow and waste, please ask our showroom for further information. When a trap is fitted to this bath, it will protrude below the floor level. Therefore, a small floor recess will have to be made under the bath to allow for this. If it is necessary to bring the waste pipe work out above the floor, please see installation instructions section 4.

If you require any further assistance regarding specification data and technical advice please contact us at enquiries@claybrookstudio.co.uk



Claybrook.

MADISON BATH

Acrymite Acrylic Freestanding Bath 1680

Why choose an Acrymite® bath?

One piece look. Although double skinned acrylic, an Acrymite® baths have no unsightly join marks for a premium 'one piece' look. Easy maintenance a daily wipe using a non-abrasive cleaning agent will keep the surface clean. It is resistant to deterioration and minor damages can be polished or repaired. Heat retaining an Acrymite® baths retain the heat of the room for a comfortable bathing experience. Acrymite® baths have a ten-year guarantee and will retain their original beauty for many years with minimum maintenance required.

Care instructions:

High Gloss Finish

To preserve the polished surface, clean your bath with a soft cloth and warm water.

As a weekly cleaner we recommend any suitable sanitary ware liquid cleaner. Rinse the surface clean immediately afterwards. Do not allow any liquid cleaner to stand for extended periods as this may stain the bath depending on the type of cleaning product.

Do not use powders, pastes, crème cleaners, thinners or dry-cleaning fluids.

Stubborn marks and fine scratches may be removed using a car burnishing compound and soft cloth.

More serious marks may also be removable.

Damage Prevention

Always run hot and cold water simultaneously into your bath or basin. Tap settings should never exceed an absolute maximum temperature of 60°C.

Deliver water (mixed hot and cold) to the lowest point of the bath which is at the waste area.

Avoid contact with strong chemicals and solvents (stain removers, nail varnish removers, etc)

Wipe away any chemical spillages i.e. Hair dye, as soon as possible to avoid potential staining.

When coloured essential oils are used, first test that the colour will not stain your bath. If it does, a burnishing compound will remove it.

Manufacturers 10 Year Guarantee Terms and Conditions:

This guarantee does not affect your statutory or other legal rights and is subject to the following conditions:

1. The product was purchased from an authorised retailer, within the United Kingdom or Republic of Ireland.
2. The product is used in domestic applications only.
3. The guarantee applies solely to the original purchaser with proof of purchase and therefore is not transferable.
4. The bath must be available to access for the purpose of inspection, maintenance or replacement.
5. Under no circumstances do Claybrook accept liability for any consequential loss or damage arising in the connection with any goods, material, or service supplied by Claybrook.
6. All products should be installed and maintained in accordance with the instructions provided.
7. Repair under this guarantee does not extend the original expiry date. The guarantee on any replacement parts or product ends at the original expiry date.
8. Any part found to be defective during the guarantee period will be replaced without charge, providing that the product has been installed in accordance with the instructions given in this guide and used as the manufacturer intended.
9. If the product is no longer available, we will endeavour to provide the nearest equivalent.

The guarantee does not cover:

10. Damage or defects caused by - General wear and tear, including special non-chrome finishes, components such as filters, seals, 'O' rings and washers - Incorrect installation - Accidental or wilful misuse - Corrosion and the use of inappropriate cleaning products. - System debris in eluding the build-up of limescale, which can be controlled through regular servicing and maintenance

11. Compensation for loss of use of the product or consequential loss of any kind. In the interests of continuous product improvement, Claybrook reserves the right to alter product specifications with out notice.

12. In the unlikely event that you encounter a problem with your bath, please contact the retailer from whom you purchased the bath. Claybrook will visit and inspect the bath to advise as to whether it is due to a manufacturing fault or an installation defect. If the problem is due to a manufacturing fault, they will report back to the manufacturer to arrange further inspection and, if deemed to be a manufacturer's defect, a replacement product as soon as possible.

