

Claybrook.

INSTALLATION MANUAL
RECONSTITUTED STONE/STONE BATH

BEFORE YOU BEGIN

Caution

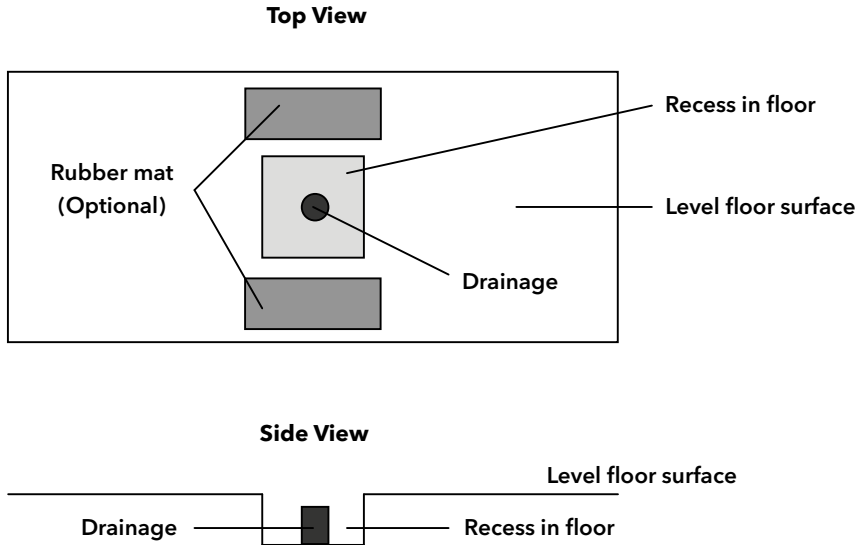
This bath is extremely heavy. To ensure safety, please obtain sufficient help to lift or move the bath carefully.

Important

- Please make sure the following items are located and retained before the wooden crate and other packing materials are discarded.
 - Pop-up waste
 - Installation Manual
 - Care & Cleaning Guide
 - Warranty
- Please make sure the floor fulfills the loading requirements and is perfectly level.
- Illustrations shown in this manual may not look the same as your actual product but they are correct for this installation.

STEP 1

The bath must be placed and installed onto a perfectly level floor surface. Make sure a recess is prepared in the floor as shown below.

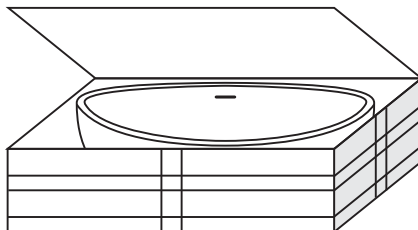


Installation Recommendation

It is recommended to place rubber mats on the floor where the bath will be installed to prevent the bath from slipping.

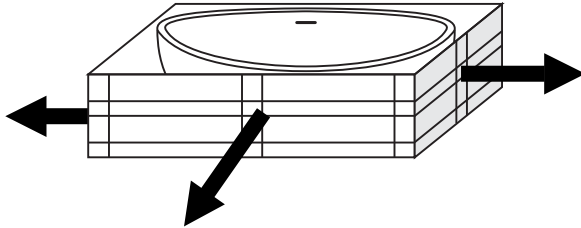
STEP 2

Carefully remove the top wooden board of the crate.



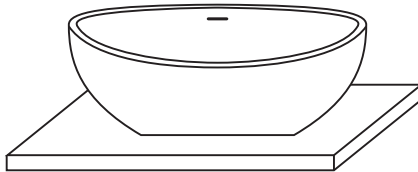
STEP 3

Remove the wooden boards from all four sides of the crate



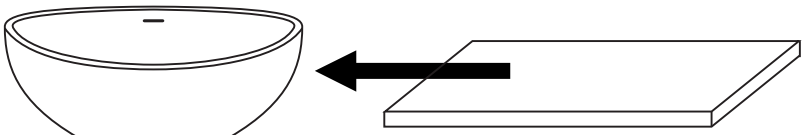
STEP 4

The bath is wrapped in a protective film. Leave this film wrap on the bath until the waste has been connected.



STEP 5

Carefully remove the bath from the wooden base.



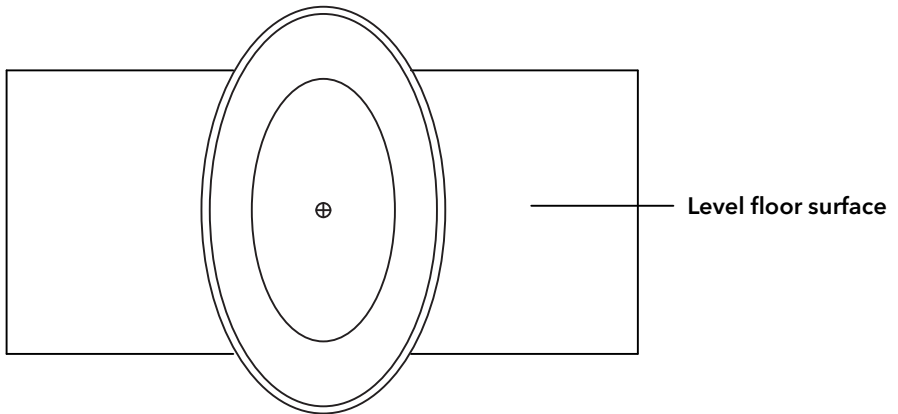
Caution

Please ensure there is sufficient help to lift and lower the bath into position.

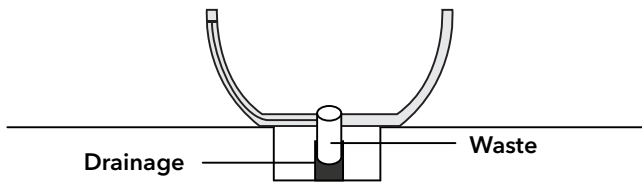
STEP 6

Place the bath into the desired position and align the drainage and the waste as shown below. Test the water tightness of all connections.

Top View



Side View



Caution

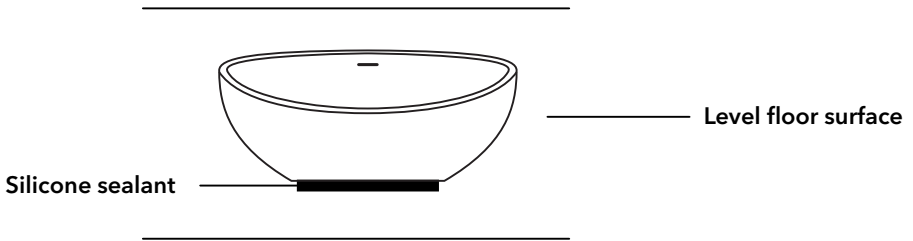
Do not over tighten the waste.

STEP 7

Remove the protective film from the bath if no leaks are detected from the water tightness test.

Installation Recommendation

Seal the perimeter edge with silicone sealant once the bath is positioned to prevent the bath from slipping.



STEP 8

Please protect the bath until all surrounding construction work is complete to avoid incidental damage.

