



Claybrook.

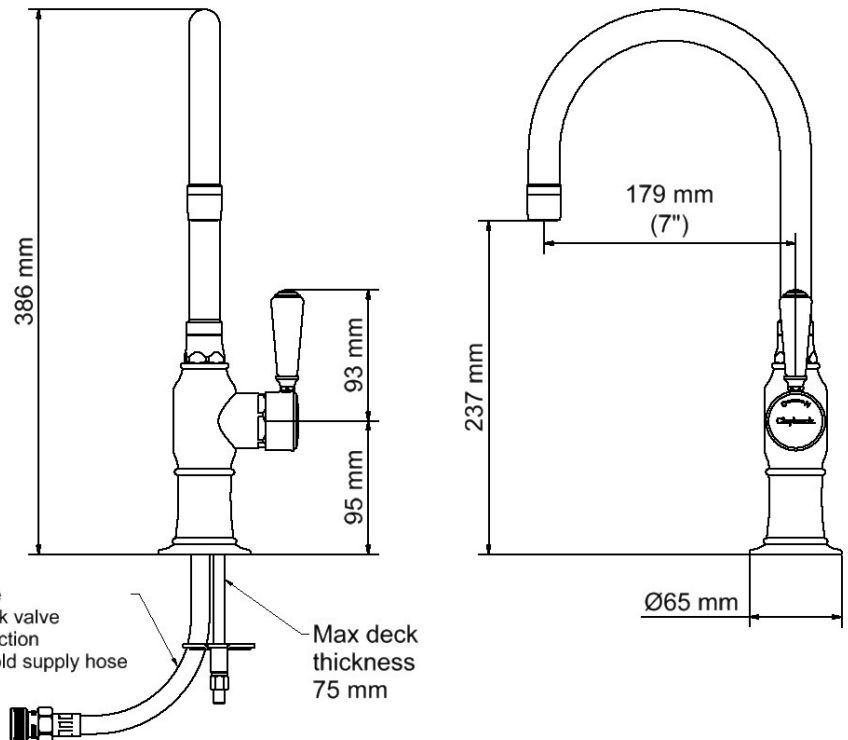
Single Lever Basin Mixer 7" Spout

Customer Installation and Homeowner Guide

PRODUCT CODE	HANDLE	FINISH
TAP-ALB-BAS-SLM-CHWL	Lever	Chrome
TAP-ALB-BAS-SLM-PNWL	Lever	Nickel
TAP-ALB-BAS-SLM-BNWL	Lever	Brushed

Specification Data

Minimum flow pressure :	0.5 Bar (7.25 PSI)
Recommended flow pressure :	1 - 5 bar (14.5 - 72.5 PS) For pressure greater than 5 bar fit a pressure reducing valve
Maximum operating pressure :	10 bar (145 PSI)
Test pressure :	10 bar (145 PSI)
Maximum water temperature :	80°C (176°F)



Installation Guide

Installation of Basin Mixer

1. Drill min 35mm (max 42mm) dia hole into the work top or sink in a suitable location.
2. Arrange your plumbing so that stop valves (or other suitable 1/2" BSP plumbing connectors) are positioned so that the **flexi connection hoses** supplied will easily reach without stretching or tight bends.
3. Pass the **flexi connection hoses** through the **deck flange** and **sleeve**. Screw the threaded ends of the **flexi connectors** into the **body** of the mixer. (**DO NOT OVERTIGHTEN**)
3. With the **clamp studding** also threaded into the **body** pass the **flexi connectors** down through the work top ensuring the '**O**' **ring seal** is positioned under the base **flange**. The **mixer** should be oriented such that the logo is pointing to the front and the valve levers rotate forwards to turn the water on.
4. Slide the **clamp plate** over the **studding** and then thread the **clamp nut** up. Tighten until the Mixer is held firmly.
5. Connect the Hot & Cold water supply by attaching the free ends of the Flexi connectors onto the installed plumbing connectors. Ensure the right hand hose is connected to the cold supply.
6. Only if required, attach the **spout** by threading the connector into the **mixer body** and tighten.
7. Open cold and hot water supplies and check connections for leakage.

Claybrook

123 Curtain Road
Shoreditch
London
EC2A 3BX

Tel 020 7052 1555



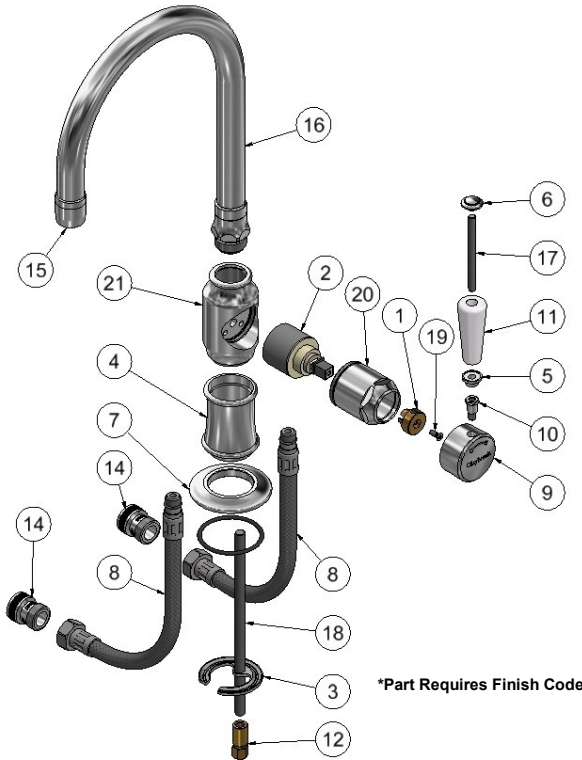
Claybrook.

Single Lever Basin Mixer 7" Spout

Customer Installation and Homeowner Guide

PRODUCT CODE	HANDLE	FINISH
TAP-ALB-BAS-SLM-CHWL	Lever	Chrome
TAP-ALB-BAS-SLM-PNWL	Lever	Nickel
TAP-ALB-BAS-SLM-BNWL	Lever	Brushed

Parts List



Parts List			
ITEM	QTY	PART NUMBER	DESCRIPTION
1	1	AD2500	Brass Handle Adaptor
2	1	CC0700	Hydro Plast G35
3	1	CP1200	Clamp Plate
4	1	CP14*	Centre Pillar Mono Mixer
5	1	FE06*	Lever Bottom Ferrule
6	1	FE07*	Lever Top Ferrule
7	1	FL55*	Deck Flange Mono Mixer
8	2	FX0400	DN8 40cm F1/2 c/gom By 12x1mmC Braided Hose
9	1	HM06*EC	Claybrook Single Lever Handle
10	1	LH19*	Ceramic Lever Handle Adaptor
11	1	LH3210	Claybrook White Lever
12	1	NT0600	Clamp Nut
13	1	OR2100	O' Ring ID 46x3,0
14	2	RF0800	Neoperl Check Valve in 1/2" BSP Housing
15	1	RF14+WS47	Neoperl Aerator & Seal
16	1	SS14*	Claybrook 7" Swivel Spout Assembly
17	1	ST0800	China Lever Studding
18	1	ST1200	Clamp Studding M8x130
19	1	SW2000	M4x10 A2 SS Pozi CSK Head Screw
20	1	VC36*	Valve Cover Single Lever
21	1	VM28*	Valve Body Single Lever Mixer

Homeowner Guide for Claybrook Taps

Please take a few minutes to study this Homeowners Guide.

All information on this sheet is based upon the latest product information at the time of publication. We reserve the right to make changes in product characteristics, packaging or availability at any time without notice.

CARE AND CLEANING

Brassware (General)

To maintain the pleasing appearance of your Claybrook Bathroom product you must perform periodic and frequent cleaning. For best results clean using a mild soap, rinse thoroughly with warm water and blot dry with a clean, soft cloth. Allowing water to evaporate on metal will form water deposits, which may eventually cause corrosion.

Under no circumstances should an abrasive cleaner or combination cleaner/polish be used on these products. The abrasive nature of such products will eventually destroy the finish and void the warranty.

In the event of stubborn blemishes shown on the finish, we recommend using a window cleaner with a soft cloth, but we do not recommend it be used on an everyday basis.

EXPLANATION OF FINISHES

Chromium Plate (Chrome)

This is the hardest wearing finish, perfect for use in all situations, including high traffic public areas in commercial buildings.

Polished Nickel

This is a hard wearing finish, but will require use of a metal polish if its original appearance is required. Alternatively, a wipe clean with a soft cloth will allow the nickel to oxidise, eventually resulting in a dull pewter-like effect.

Brushed Satin Nickel

This finish is subtle and will resemble old pewter. For best results clean using a mild soap, rinse thoroughly with warm water and blot dry with a clean, soft cloth.

Failure to comply with these cleaning instructions may void the Claybrook warranty obligations