

Claybrook.

# SMITHFIELD METAL STAND

## Fitting Instructions

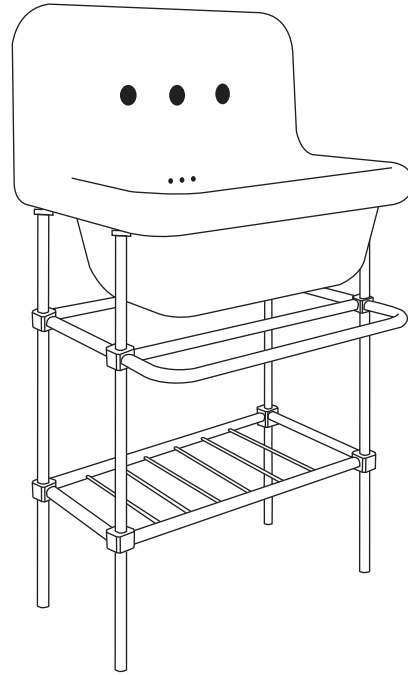
### STRUTTURA A TERRA

METAL STAND TRUE COLORS  
BASE MÉTALLIQUE TRUE COLORS

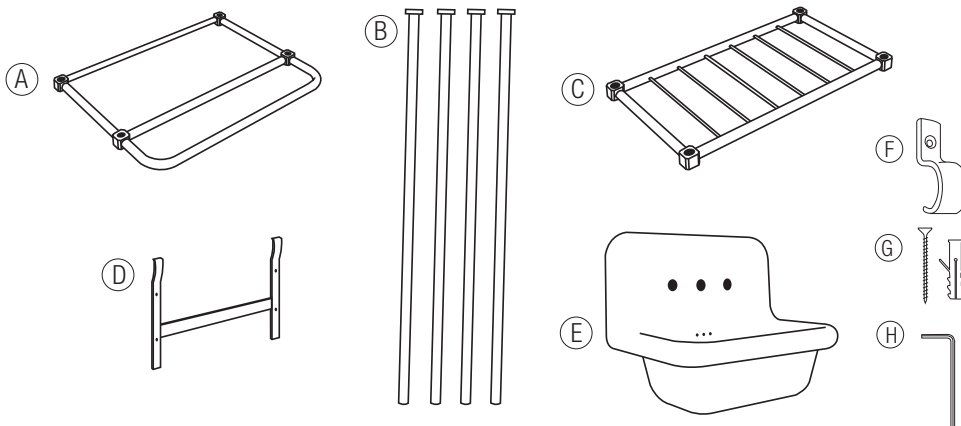
N.B. PRIMA DI PROCEDERE AL MONTAGGIO DELLA STRUTTURA, ASSICURARSI CHE I GRANI DI FISSAGGIO LATERALI DEI COMPONENTI (A) E (C) SIANO COMPLETAMENTE SFILATI, ONDE EVITARE DI ROVINARE LE GAMBE (B) DELLA STRUTTURA

(en) N.B. BEFORE MOUNTING THE STRUCTURE, MAKE SURE THAT THE FASTENING SCREWS OF THE COMPONENTS (A) AND (C) ARE COMPLETELY UNSCREWED IN ORDER TO AVOID SCRATCHING THE LEGS (B) OF THE STRUCTURE.

(fr) N.B. AVANT DE COMMENCER LE MONTAGE DE LA STRUCTURE, ASSUREZ VOUS QUE LES VIS DE FIXATION DES COMPOSANTS (A) ET (C) SOIENT COMPLÈTEMENTS DÉVISSÉS AFIN D'ÉVITER DE RAYER LES JAMBES (B) DE LA STRUCTURE.



### COMPONENTI ELEMENTS INCLUDED/COMPOSANTS:



If you require any further assistance regarding specification data and technical advice please contact us at [enquiries@claybrookstudio.co.uk](mailto:enquiries@claybrookstudio.co.uk)



# SMITHFIELD METAL STAND

## Fitting Instructions

1. INSERIRE LE QUATTRO GAMBE (B) NEGLI APPOSITI FORI DEI COMPONENTI (A) E (C);

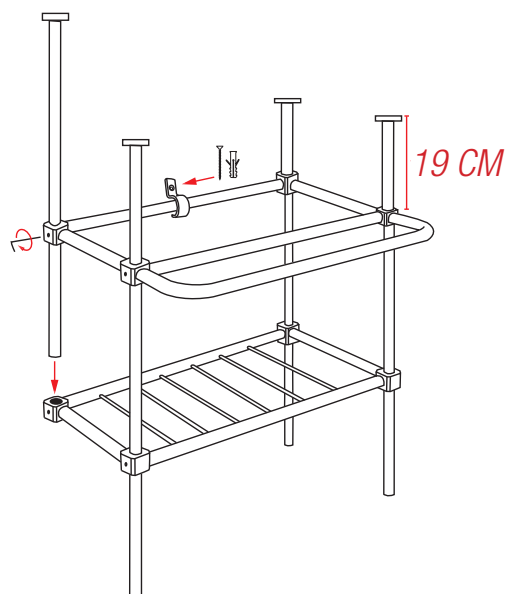
*(en) INSERT THE FOUR LEGS (B) IN THE HOLES OF THE COMPONENTS (A) AND (C);*

*(fr) INSÉREZ LES QUATRE JAMBES (B) DANS LES TROUS DES COMPOSANTS (A) ET (B);*

2. ASSICURARSI QUINDI CHE LE GAMBE (B) SIANO ALLINEATE TRA LORO E CHE SPORGANO DAL COMPONENTE (A) DI CIRCA 19 CM;

*(en) MAKE SURE THAT THE LEGS (B) ARE AT THE SAME HEIGHT BETWEEN THEM AND ARE ABOUT 19 CM ABOVE COMPONENT (A);*

*(fr) ASSUREZ VOUS QUE LES JAMBES (B) SOIENT ALIGNÉES ENTRE ELLES ET QU'ELLES RESSOTENT D'ENVIRON 19 CM DU COMPOSANT (A);*



3. STRINGERE QUINDI I QUATTRO GRANI DI FISSAGGIO LATERALI DEI COMPONENTI (A) E (C) CON LA CHIAVE A BRUCOLA (H). AGGANCIARE POI LA STRUTTURA NEL COMPONENTE (F) E FISSARLO AL MURO TRAMITE GLI APPOSITI STOP (G);

*(en) SCREW THE FOUR FASTENING SCREWS COMPONENTS (A) AND (C) WITH THE AWL KEY (H). HOOK THEN THE STRUCTURE IN THE COMPONENT (F) AND ATTACH IT TO THE WALL WITH THE SCREWS (G);*

*(fr) SERREZ LES QUATRE VIS DE FIXATION DES COMPOSANTS (A) ET (C) AVEC LA CLEF D'ALÊNE (H). ACCROCHEZ ENSUITE LA STRUCTURE AVEC LE COMPOSANT (F) ET FIXEZ LA AU MUR AVEC LA VIS (G);*