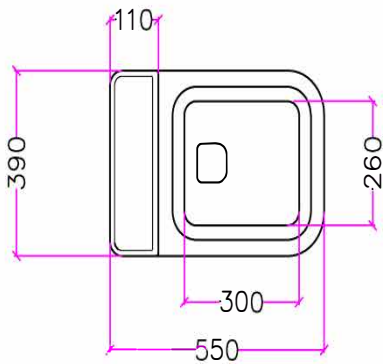
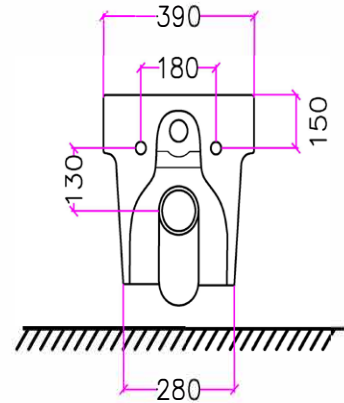
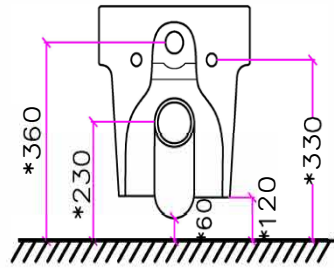
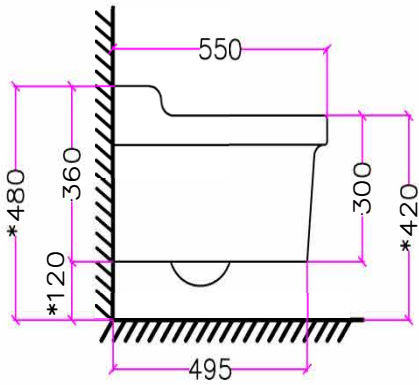


Claybrook.

SPITALFIELDS

Wall Hung Toilet



All ceramic sanitaryware of this kind is subject to a +/- 3% tolerance on all dimensions, due to the firing process.

For example, the holes in the back of the pan for the wall hanging kit could vary between 174.6mm and 185.4mm in distance apart. The same applies to the position of the holes for the waste connection and inflow pipe for the cistern. We strongly recommend you have the pan, cistern and frame on site before setting out any first fix, so these tolerances can be worked into the final install.

TOI-SPI-WHT

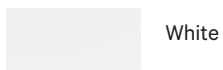
Size: w390 x d550 x h360+120/480mm

TOI-SPI-WHT-W (White seat. Seat must be ordered separately)

TOI-SPI-WHT-B (Black seat. Seat must be ordered separately)

MATERIAL: Ceramic

SEAT COLOUR OPTIONS: (SOLD SEPARATELY)



White



Black



Print colours may vary from original.

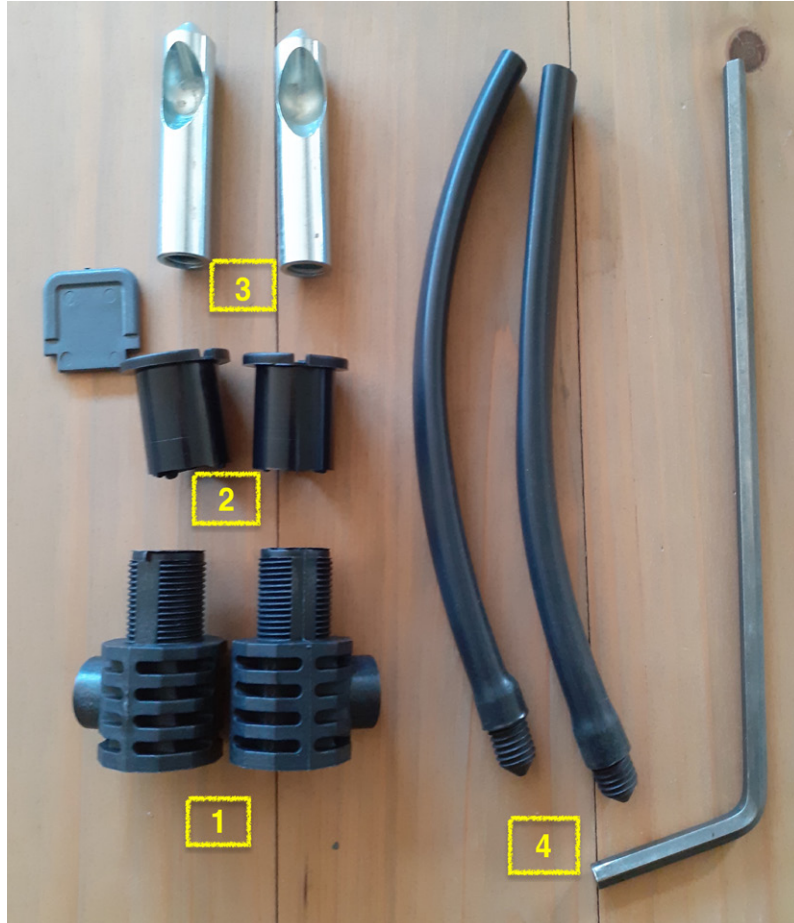
If you require any further assistance regarding specification data and technical advice please contact us at enquiries@claybrookstudio.co.uk



Claybrook.

SPITALFIELDS

Wall Hung Toilet Parts



1. Pan fixings that fit into the pan to hold the wall pins.
2. Collars to secure pan fixings in place and a flat edge key to help tighten collar to pan fixing.
3. Wall pins that lock into the collars and hold the pan to the (Gerberit) frame behind the wall.
4. Allen key and grub screws with long rubber tail to help guide the long allen/hex key, as it tightens up the grub screws, to secure the wall pins.

