



Claybrook.

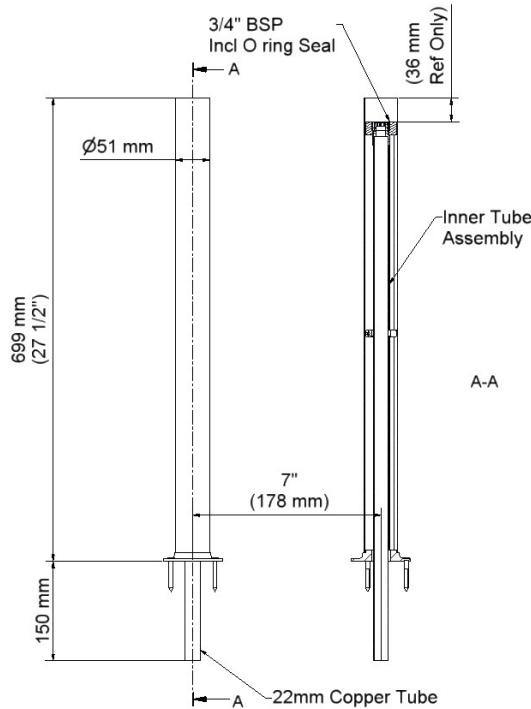
Bath & Shower Mixer Standpipes

Customer Installation and Homeowner Guide

PRODUCT CODE	HANDLE	FINISH
TAP-ALB-BAT-STP-CH	N/A	Chrome
TAP-ALB-BAT-STP-PN	N/A	Nickel
TAP-ALB-BAT-STP-BN	N/A	Brushed

Specification Data

Minimum flow pressure :	0.5 Bar (7.25 PSI)
Recommended flow pressure :	1 - 5 bar (14.5 - 72.5 PS) For pressure greater than 5 bar fit a pressure reducing valve
Maximum operating pressure :	10 bar (145 PSI)
Test pressure :	10 bar (145 PSI)
Maximum water temperature :	80°C (176°F)

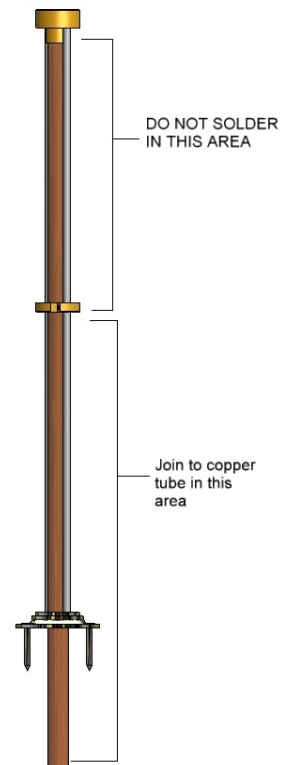


(FIG 1)

Installation Guide

Installation

1. The **floor standing legs** feature a 22mm copper tube for connection to mains plumbing. Connection can be made by either soldering or compression fitting.
2. The legs are designed for use in conjunction with the Claybrook **deck unions** supplied with bath shower mixer kit TAP-ALB-BAT-BSD (FIG 1)
3. Arrange your in-floor plumbing so that a Hot & Cold water feed are available. Refer to specification data above for dimensions. Cold must be on the right!
4. Position the **inner tube assembly** and **flange** ready for connection to the in-floor plumbing. Note the required spacing for attachment to the Bath Shower Mixer.
5. Connect the **copper tube** provided with the kit onto the plumbing. **Take care if using a compression fitting not to apply excessive load to the copper tube.**
6. Secure the **floor leg flange** to the floor with the screws provided.
7. Place the **outer decorative tube** over the **inner tube assembly**.
8. Screw the **deck union**, by hand, into the top of the **inner tube assembly** as far as possible then turn back to align the **deck unions** appropriately for the product. The internal O' rings will form a connection with the **deck union**. Do not use thread tape or sealant. **DO NOT OVERTIGHTEN!**
9. At this point the **outer tube** should be slightly loose. Screw the **deck union flange** down to secure the outer leg.
10. Attach the **bath shower mixer** and once the water supply is turned on check for leaks.



Packing List

Description	Qty
Inner Frame (Tube) Assembly	2
Outer Tube	2
Wood Screw	6

Claybrook

123 Curtain Road
Shoreditch
London
EC2A 3BX

Tel 020 7052 1555