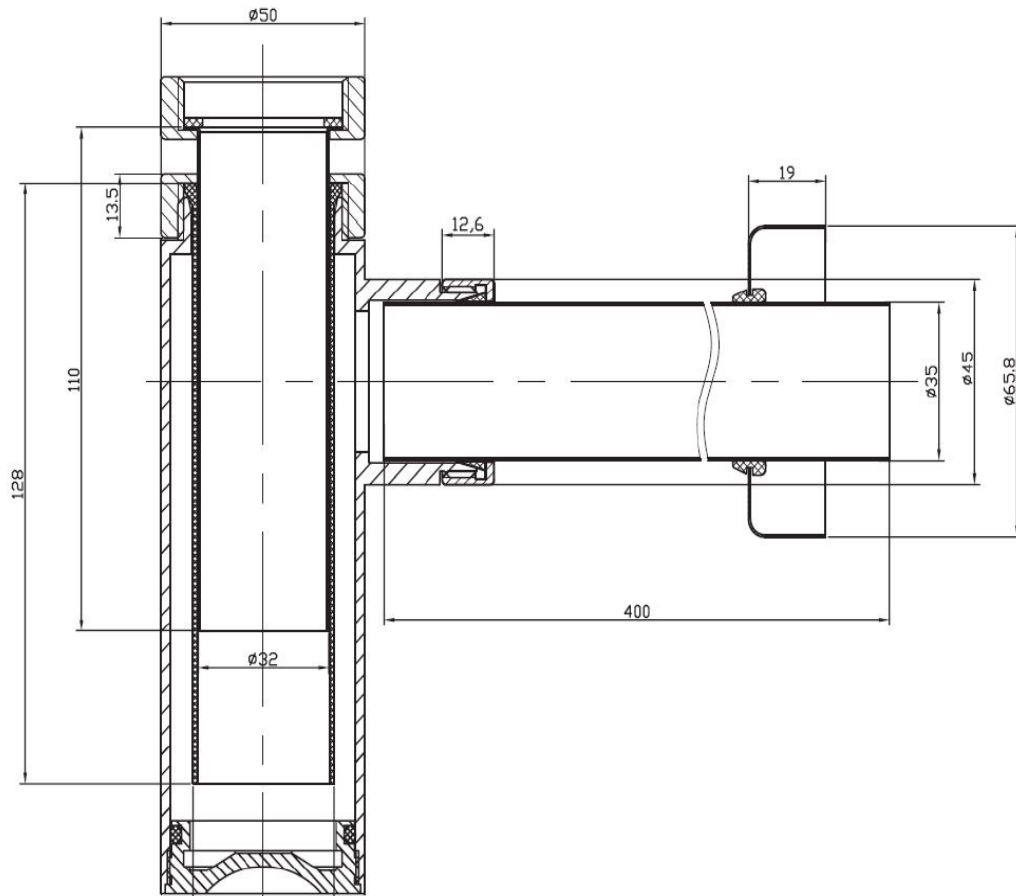


Claybrook.

BASIN TRAP

Basin Trap Round



CARE AND MAINTENANCE

To prevent limescale build up and water marking, products should be wiped dry with a soft cloth after use. Only mild, neutral, non-abrasive cleaning detergents should be used. After use, rinse clean and dry with a soft cloth. Any limescale or stubborn water marks can be removed with a vinegar and water solution. Polished and brushed brass products have an un-lacquered finish that will naturally age over time. A suitable metal polish should be used to maintain the finish, if required.

If you require any further assistance regarding specification data and technical advice please contact us at enquiries@claybrookstudio.co.uk

