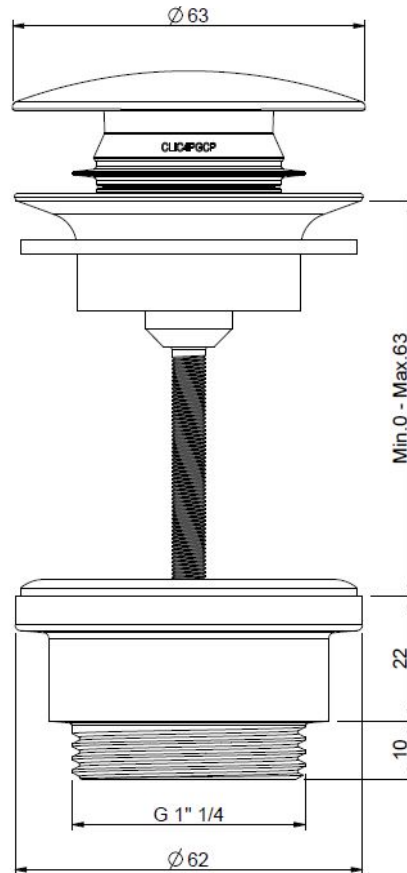


Claybrook.

# UNIVERSAL POP UP WASTE

For use with basins with or without an overflow, includes an adaptor for continuous water flow if required



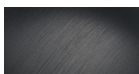
BAS-WAS-UNI-CHR (Chrome)  
BAS-WAS-UNI-MBK (Black)  
BAS-WAS-UNI-BSN (Brushed Satin Nickel)

MATERIAL: Brass

## FINISHES



Chrome



Matt black



Brushed Satin Nickel

If you require any further assistance regarding specification data, technical advice or samples, please contact us at [specification@claybrookstudio.co.uk](mailto:specification@claybrookstudio.co.uk)

