

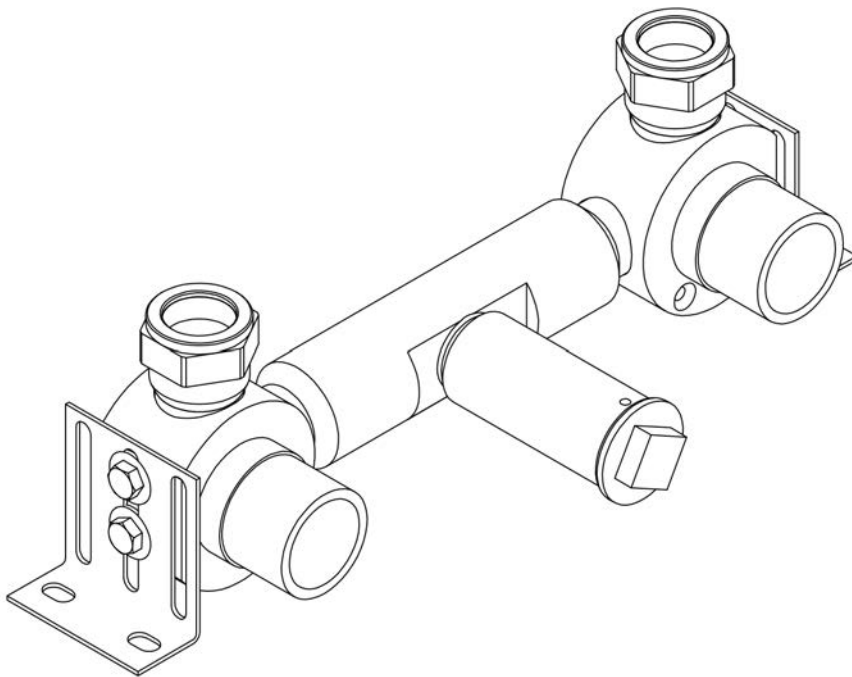


# Claybrook.

## PRODUCT DATA SHEET

**TAP-3HW-RPT** (VCS118-IS) Rough parts for  
3 hole wall mounted filler tap (basin & bath)

---



REFER TO FITTING DEPTHS PRIOR TO  
INSTALLATION



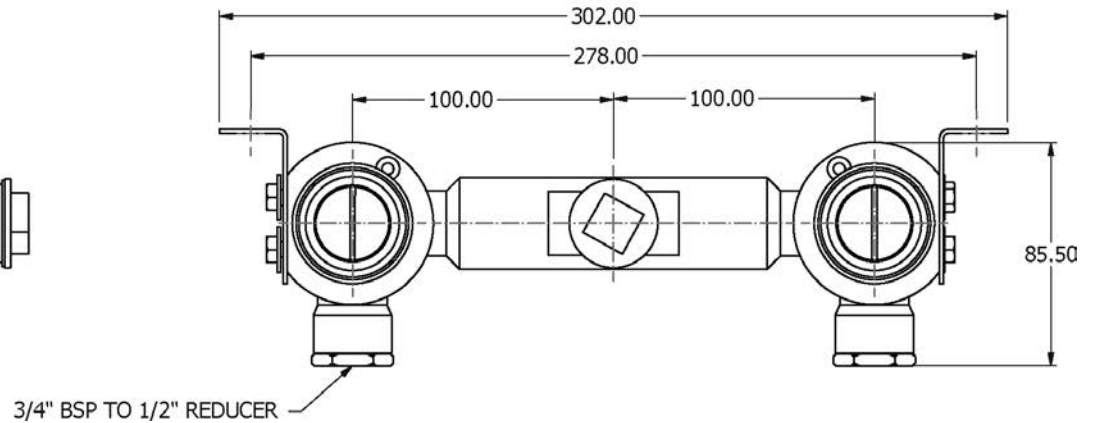
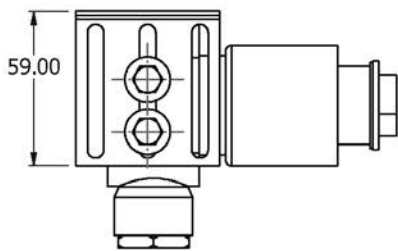
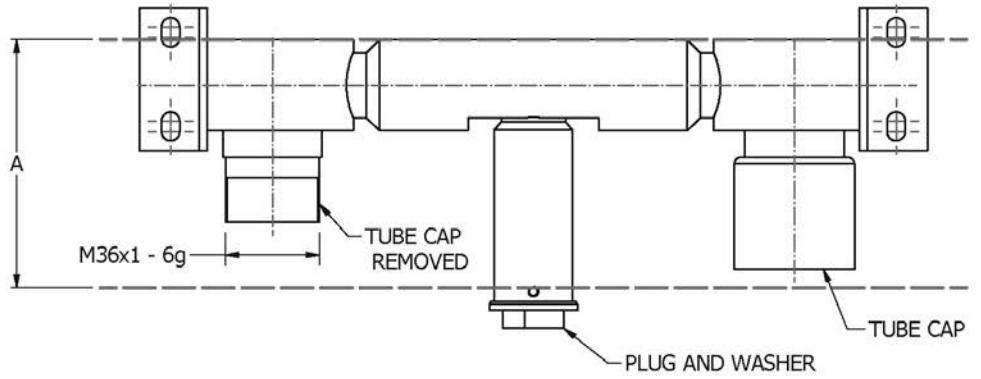
# Claybrook.

<b>Dimension “A”</b>				
<u>Trim Set</u>		<u>Range from Valve to base (mm)</u>		
Brooklyn	VCS2K17	63.00	to	75.00
	VCS2K47	63.00	to	75.00
Belmont	VCS6K17	62.00	to	70.00
	VCS6K47	62.00	to	74.00



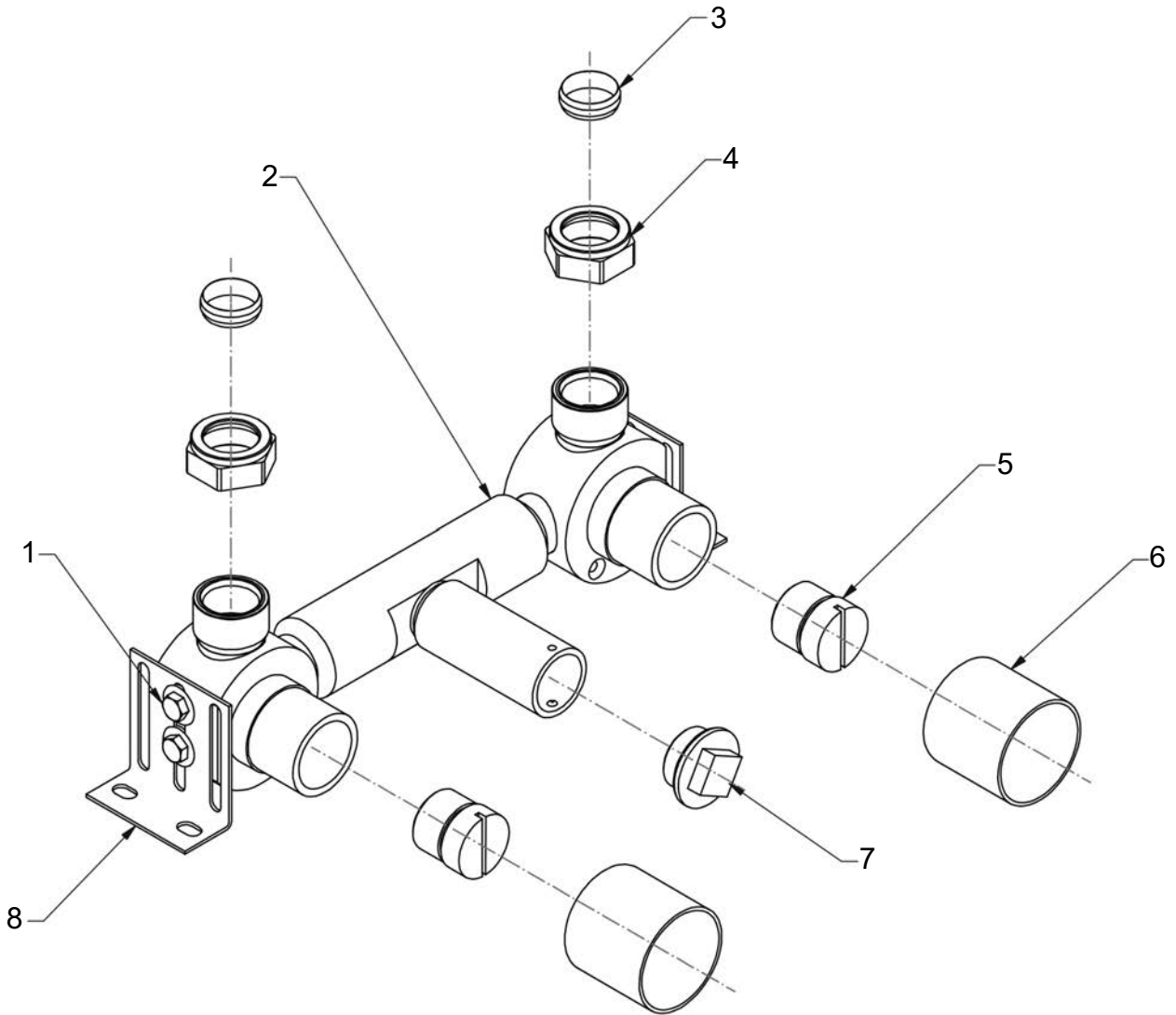
# Claybrook.

**Note:** For the correct installation depths (“A”) please see table on page 3 as they may differ per trim set.





# Claybrook.



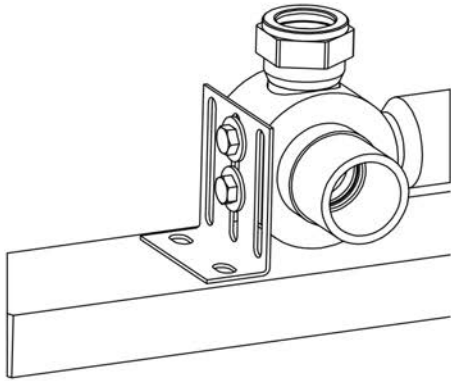
Item	Part No.	Description
1	-	Screws
2	-	Valve Body
3	-	Olive
4	-	Compression Nut
5	-	Bung
6	-	Dust Cover
7	-	Plug
8	-	Fixing Bracket



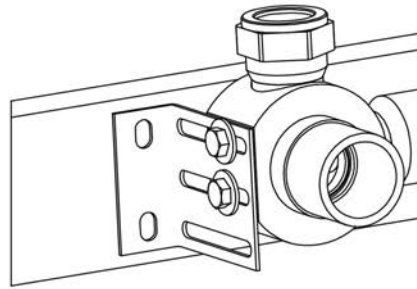
# Claybrook.

## Fixing Positions

A



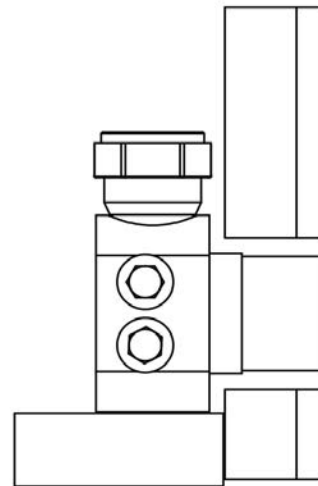
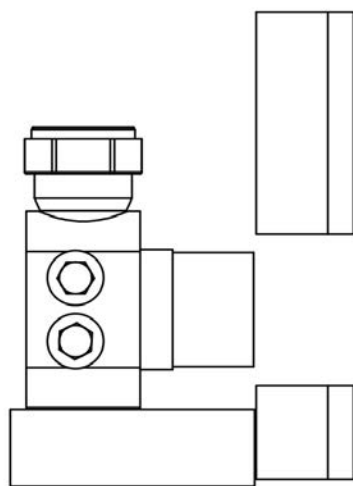
B



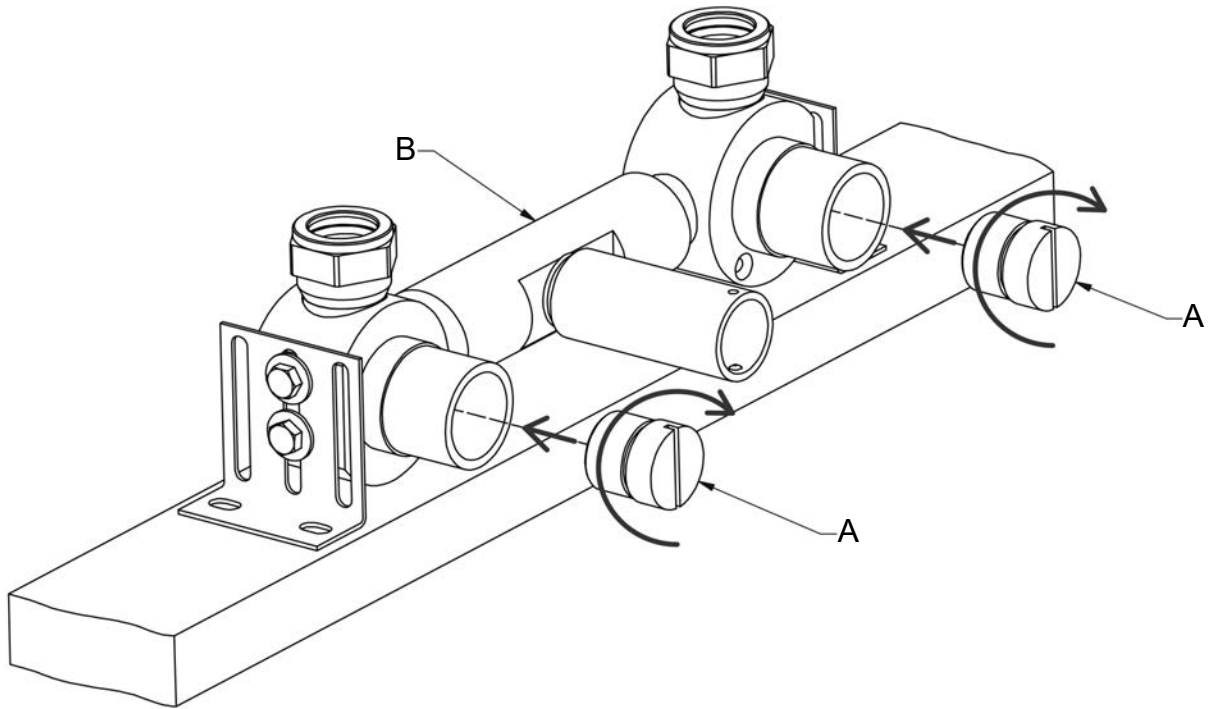
C



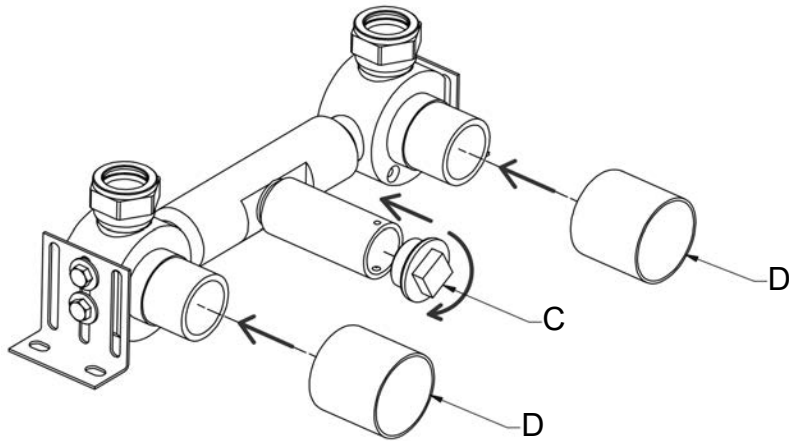
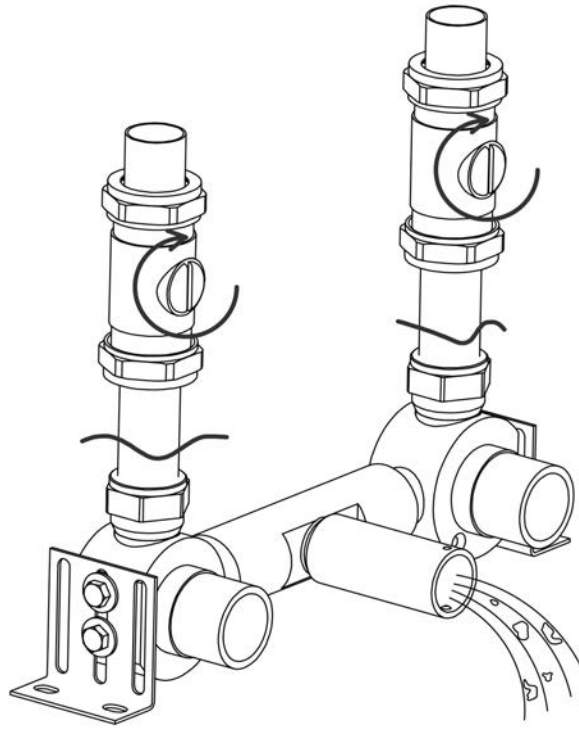
## Unit Positioning



# Claybrook.

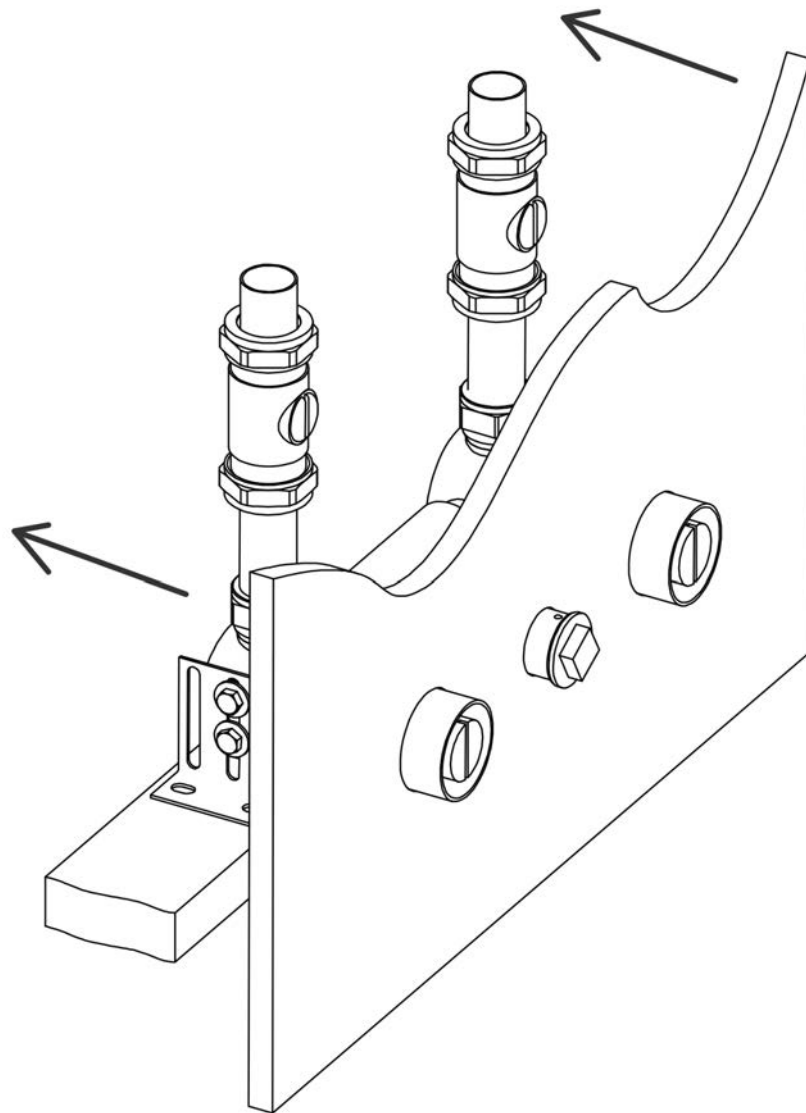


1. Fit bungs (A) to the installation kit (B).



2. Flush system to remove debris.
3. Fit centre plug (C) and shields (D).

# Claybrook.



4. **Ensuring that the fitting depths at the front of this booklet are met for the appropriate trim set, install to the finished surface.**





# Claybrook.

## IMPORTANT NOTES

1. Installation should be carried out by a competent engineer, in accordance with water regulations.
2. Before installation, ensure supply pipes are flushed clean. Debris or loose particles will affect the efficiency of the ceramic disc cartridge.
3. For mixer taps, it is recommended that hot & cold pressures are equally balanced.
4. To help maintain the high quality finish, please clean with a soft damp cloth. Do not use abrasive polish or cleaners. Stains may be removed using undiluted washing up liquid.
5. Ceramic cartridges in hard water areas. To prolong the lifespan and reduce servicing periods of your tap we recommend that a suitable water softener be fitted. Consult your installer/designer for details.
6. Please note that as with all tap and shower ware it will be necessary from time to time for the products to be serviced, this should be carried out by a qualified Plumbing Engineer.

**Claybrook  
123 Curtain Road  
Shoreditch  
London  
EC2A 3BX**

**Tel: 020 7052 1555**

8-40084-CS