



# Claybrook.

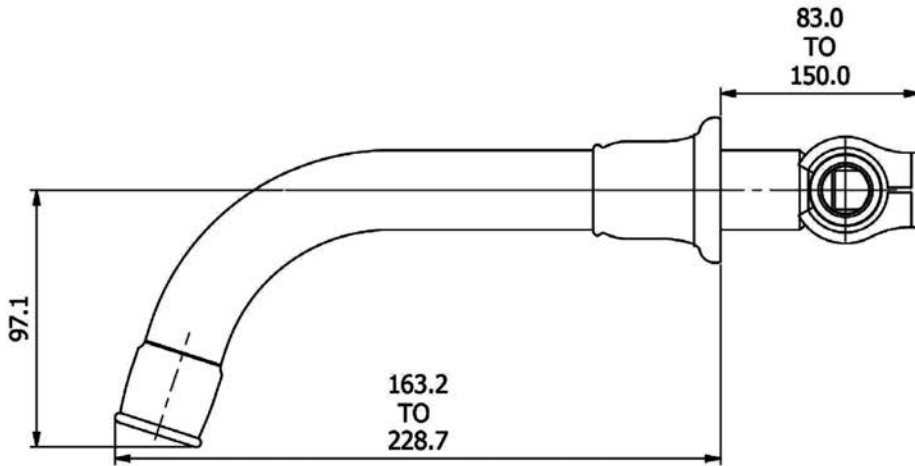
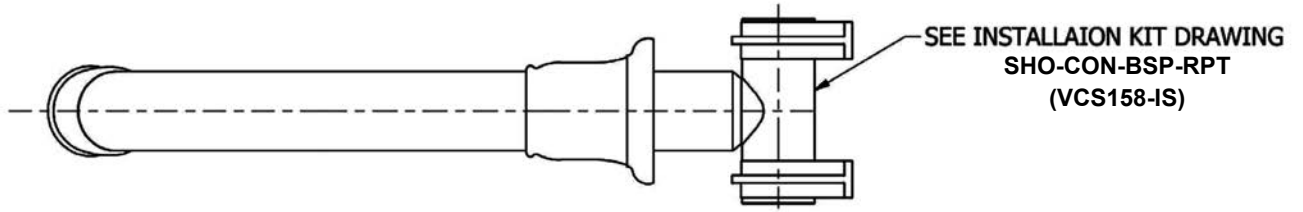
**PRODUCT DATA SHEET**

**SHO-BRO-CON-BSP** (VCS246) Wall mounted  
bath spout, trim set

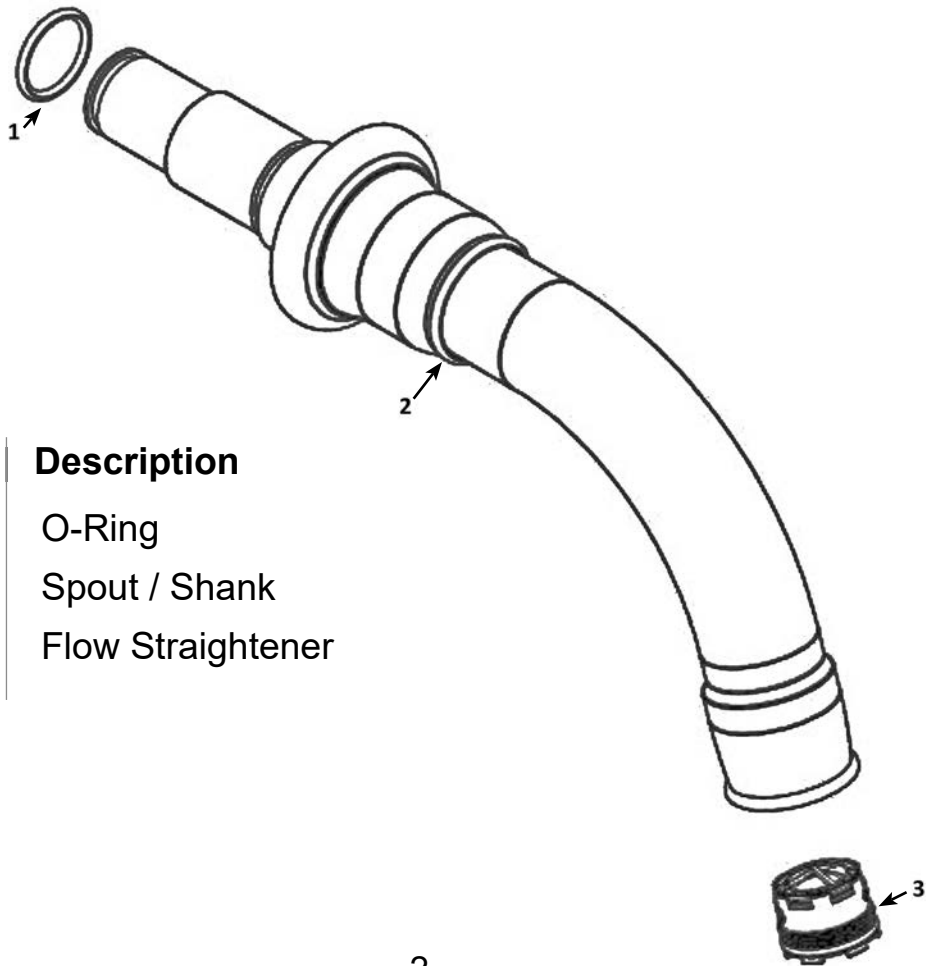
---



# Dimension Key



# Spares Information



Item	Part No.	Description
1	-	O-Ring
2	-	Spout / Shank
3	-	Flow Straightener



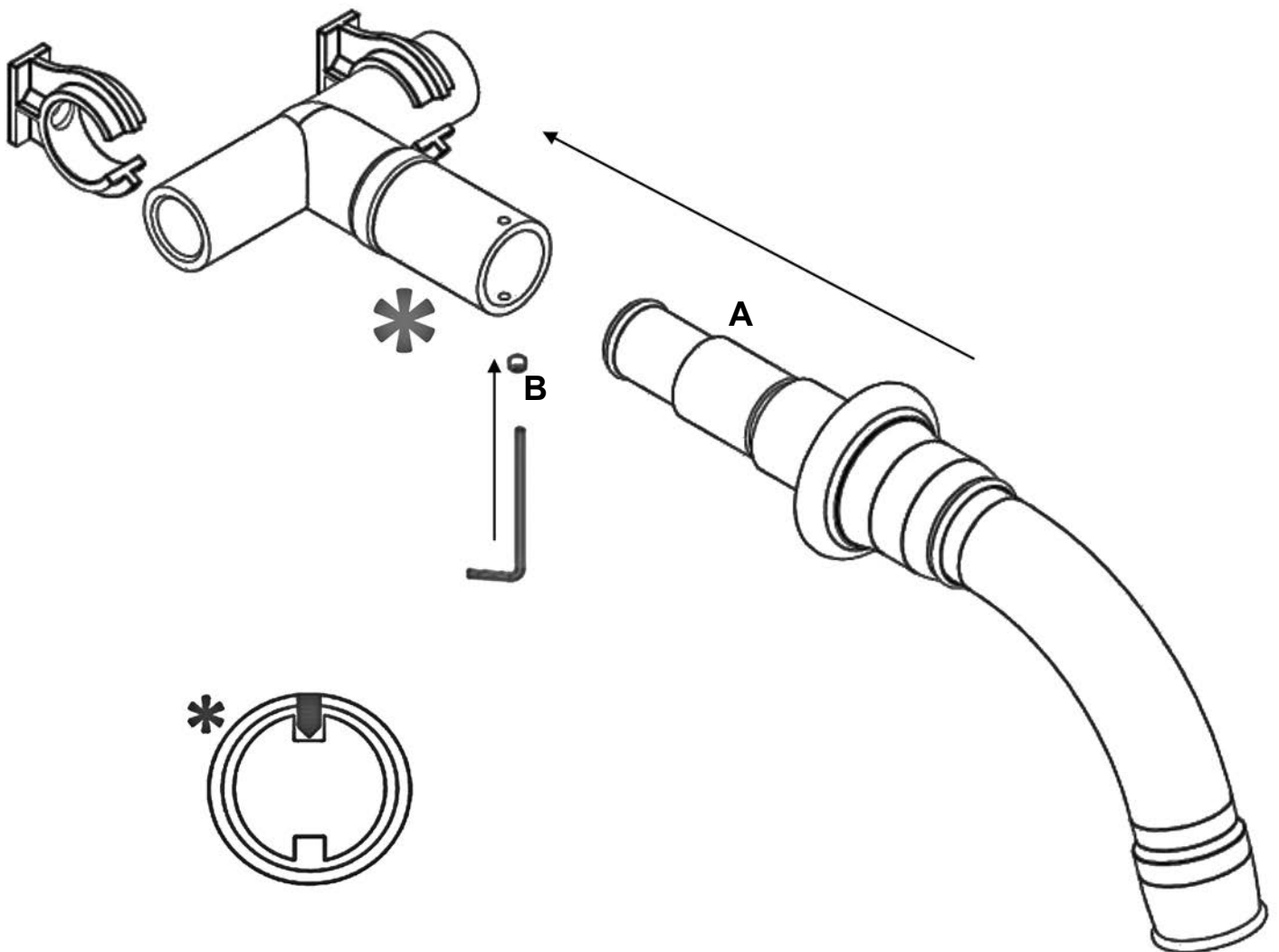
# Claybrook.

## Flow Rate

0.1 Bar (L/Min)	1.0 Bar (L/Min)	3.0 Bar (L/Min)
10.4	33.9	62.0

The flow rate data provided in this document is indicative of each product and is given in an open outlet condition. Installation design, external connections and fittings not supplied may affect the data provided.

## Installation



1. Screw the spout shank (A) to installation kit SHO-CON-BSP-RPT (VCS158-IS).
2. Using allen key, screw grub-screw (B) into position.



# Claybrook.

## IMPORTANT NOTES

1. Installation should be carried out by a competent engineer, in accordance with water regulations.
2. Before installation, ensure supply pipes are flushed clean. Debris or loose particles will affect the efficiency of the ceramic disc cartridge.
3. For mixer taps, it is recommended that hot & cold pressures are equally balanced.
4. To help maintain the high quality finish, please clean with a soft damp cloth. Do not use abrasive polish or cleaners. Stains may be removed using undiluted washing up liquid.
5. Ceramic cartridges in hard water areas. To prolong the lifespan and reduce servicing periods of your tap we recommend that a suitable water softener be fitted. Consult your installer/designer for details.
6. Please note that as with all tap and shower ware it will be necessary from time to time for the products to be serviced, this should be carried out by a qualified Plumbing Engineer.

**Claybrook  
123 Curtain Road  
Shoreditch  
London  
EC2A 3BX**

**Tel: 020 7052 1555**

8-40131-CS