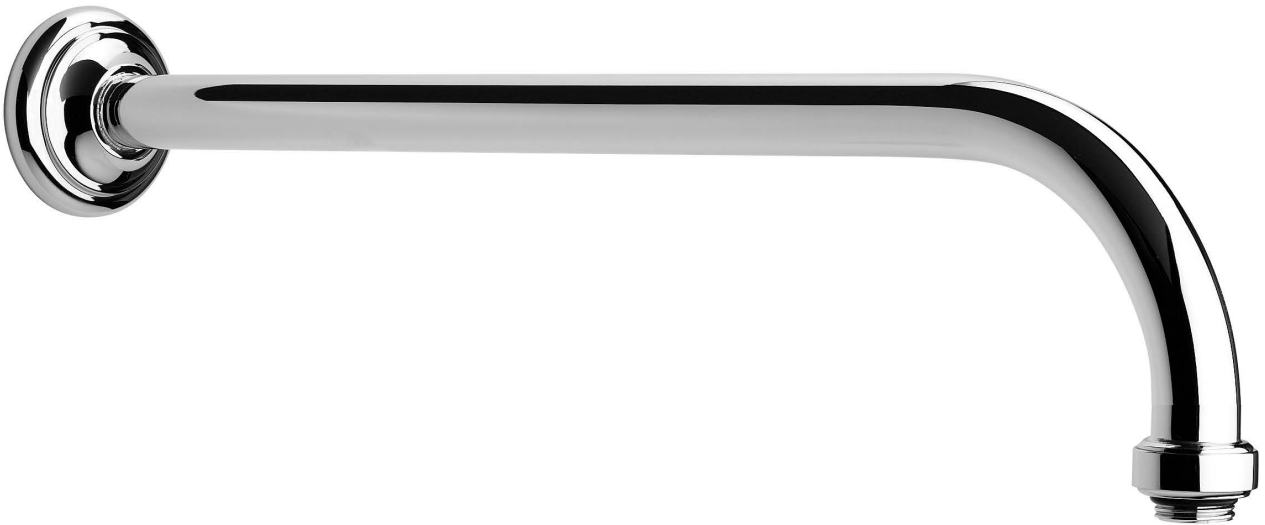




Claybrook.

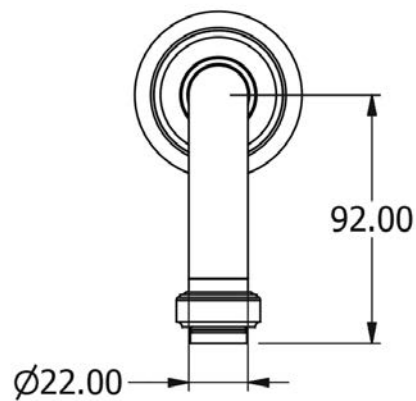
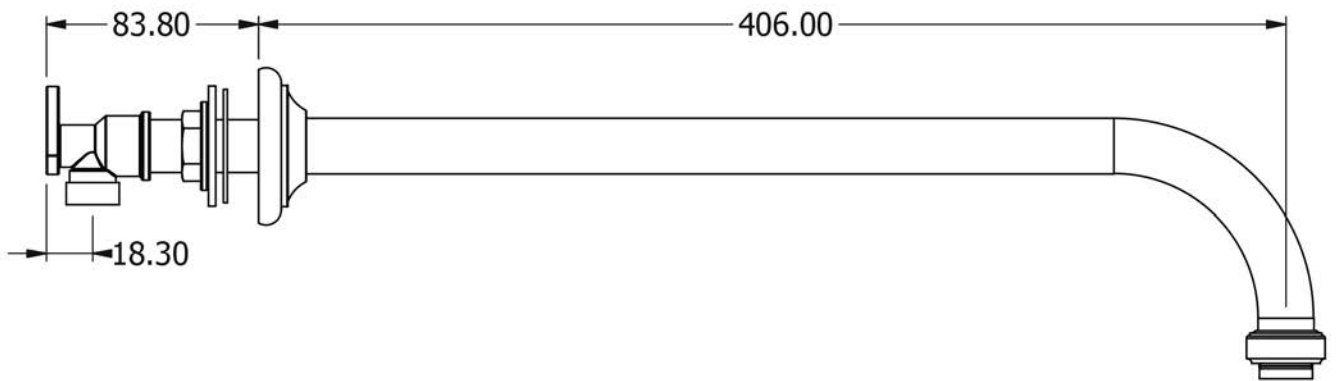
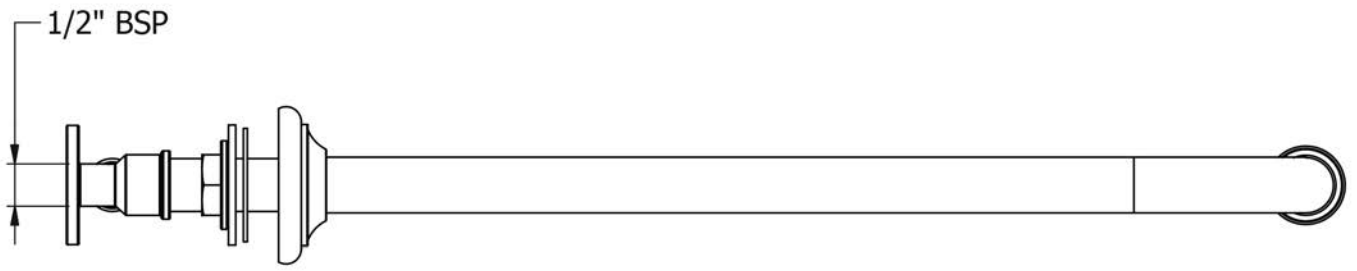
PRODUCT DATA SHEET

SHO-BRO-CON-WMA (VCS262) Wall mounted
overhead shower arm



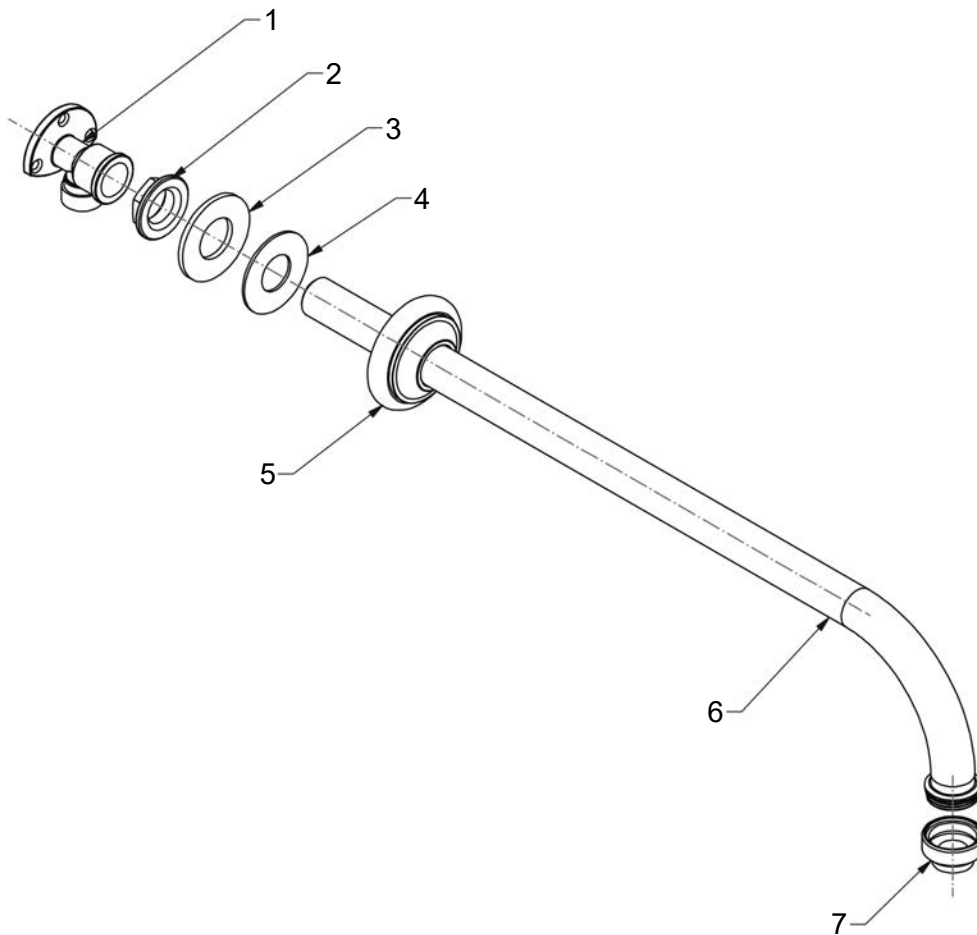


Claybrook.



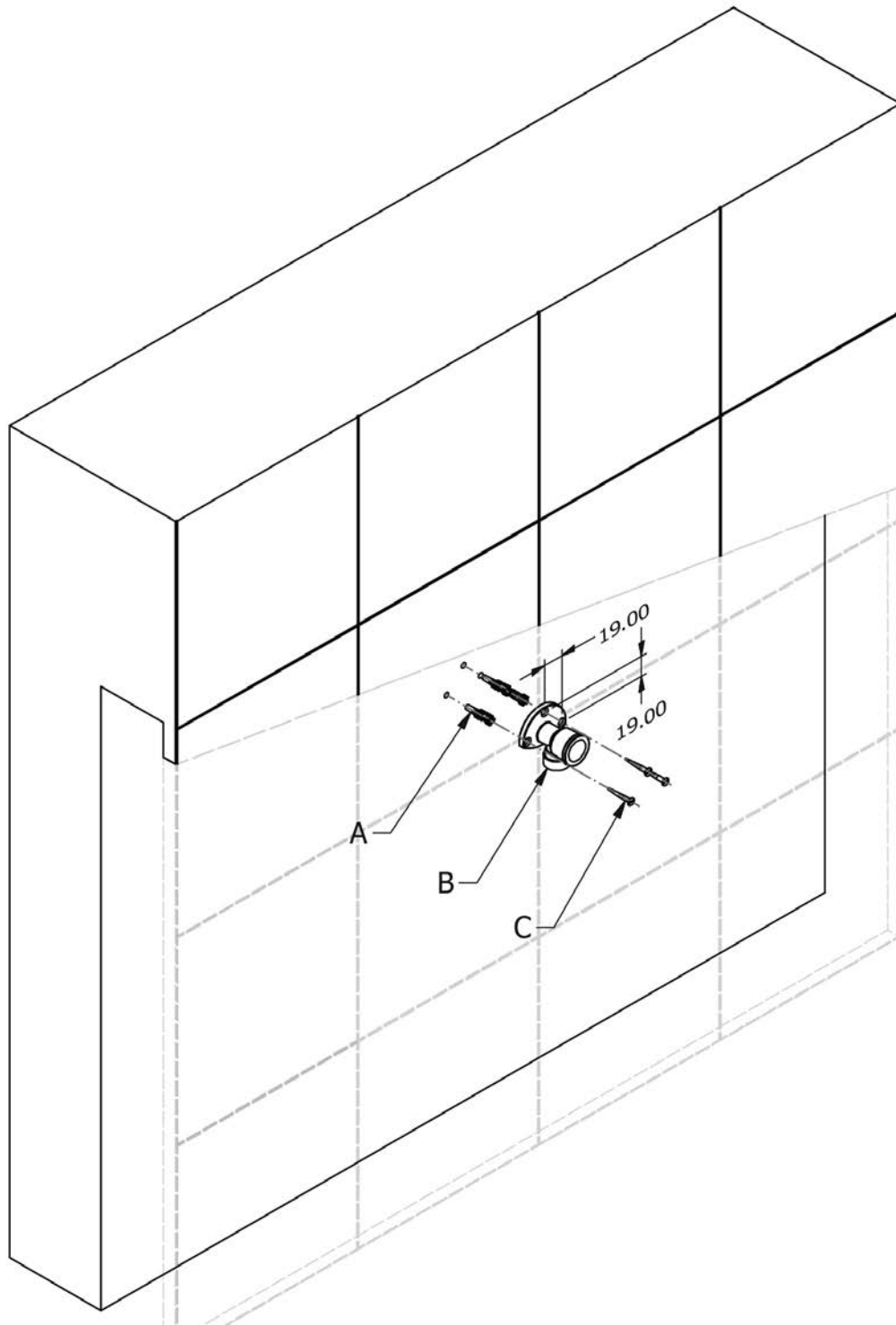


Claybrook.



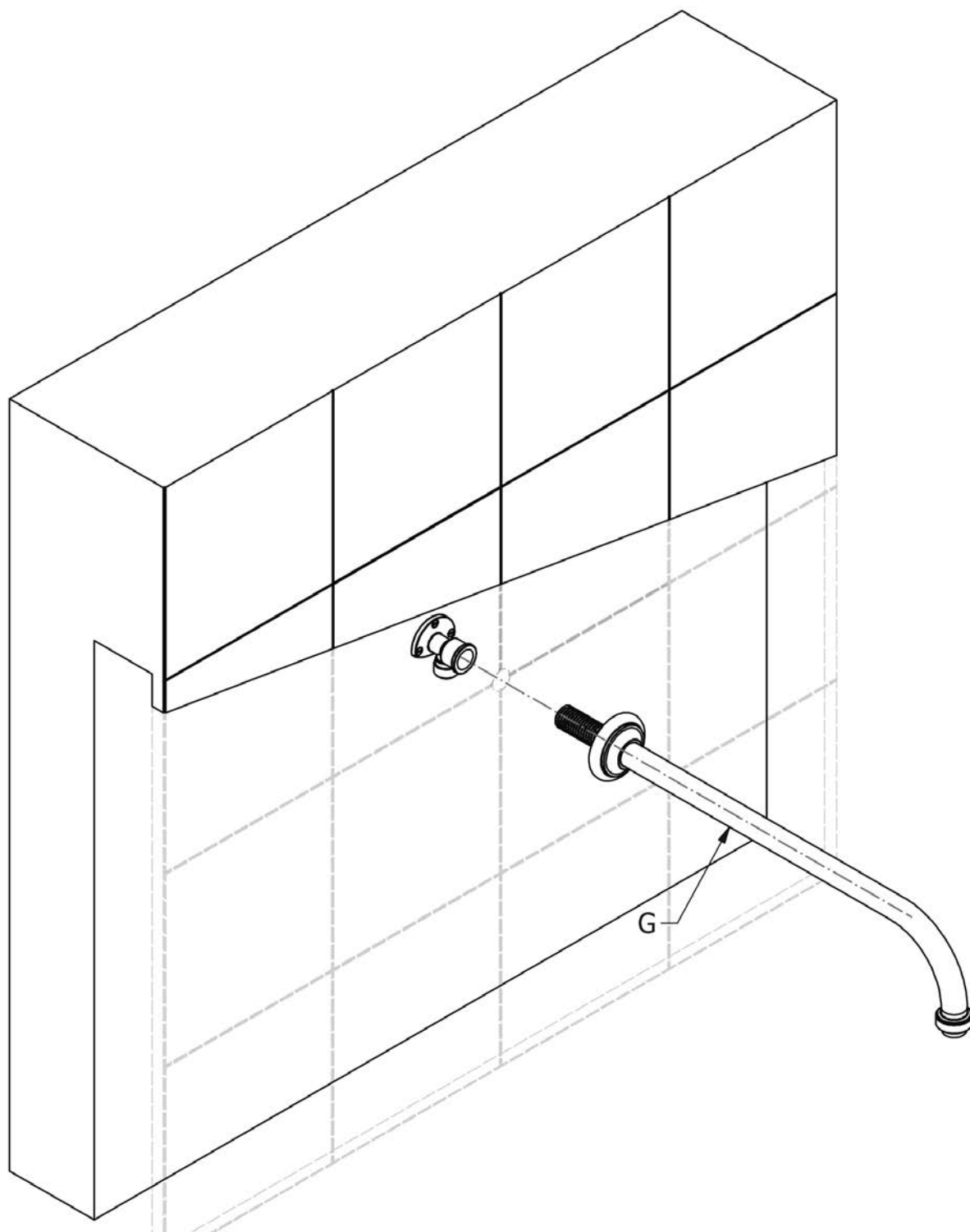
Item	Part No.	Description
1	-	Elbow
2	-	Nut
3	-	Steel Washer
4	-	Rubber Washer
5	-	Rose
6	-	Wall Tube
7	-	Adapter

Claybrook.



1. Install pipe fitting connection (B) using wall plugs (A) and screws (C) to attach the shower arm.
2. Install finished surface

Claybrook.



3. Screw shower arm assembly (G) into pipe fitting connection (B).



Claybrook.

IMPORTANT NOTES

- 1. Installation should be carried out by a competent engineer, in accordance with water regulations.**
- 2. Before installation, ensure supply pipes are flushed clean. Debris or loose particles will affect the efficiency of the ceramic disc cartridge.**
- 3. For mixer taps, it is recommended that hot & cold pressures are equally balanced.**
- 4. To help maintain the high quality finish, please clean with a soft damp cloth. Do not use abrasive polish or cleaners. Stains may be removed using undiluted washing up liquid.**
- 5. Ceramic cartridges in hard water areas. To prolong the lifespan and reduce servicing periods of your tap we recommend that a suitable water softener be fitted. Consult your installer/designer for details.**
- 6. Please note that as with all tap and shower ware it will be necessary from time to time for the products to be serviced, this should be carried out by a qualified Plumbing Engineer.**

**Claybrook
123 Curtain Road
Shoreditch
London
EC2A 3BX**

Tel: 020 7052 1555

8-40140-CS