



Claybrook.

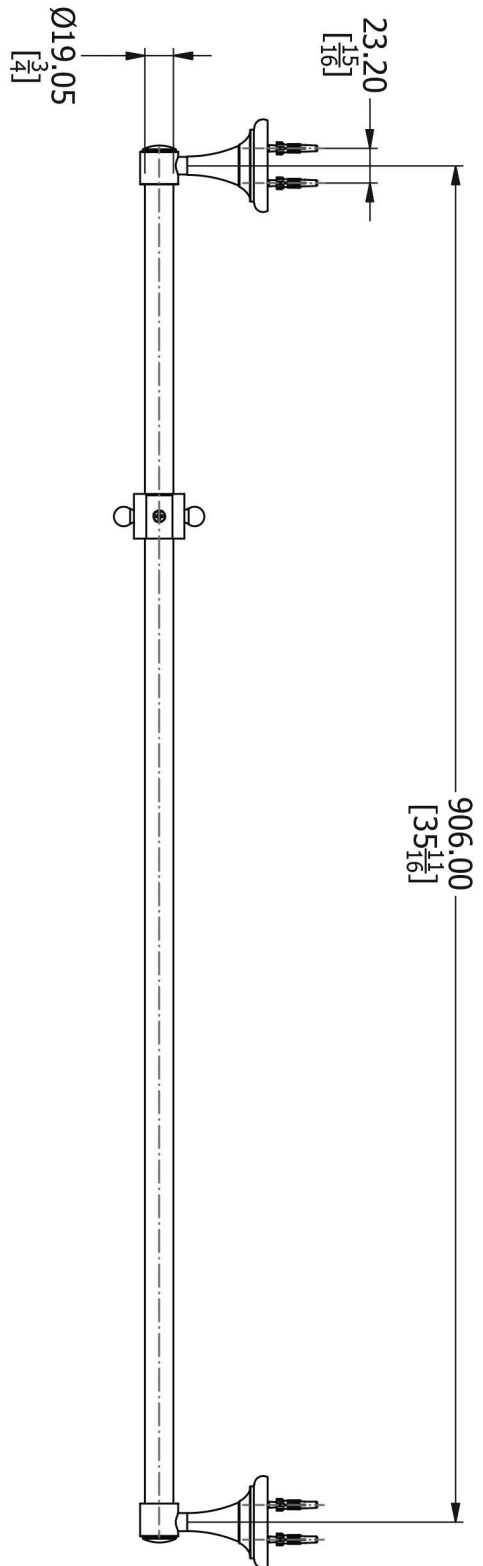
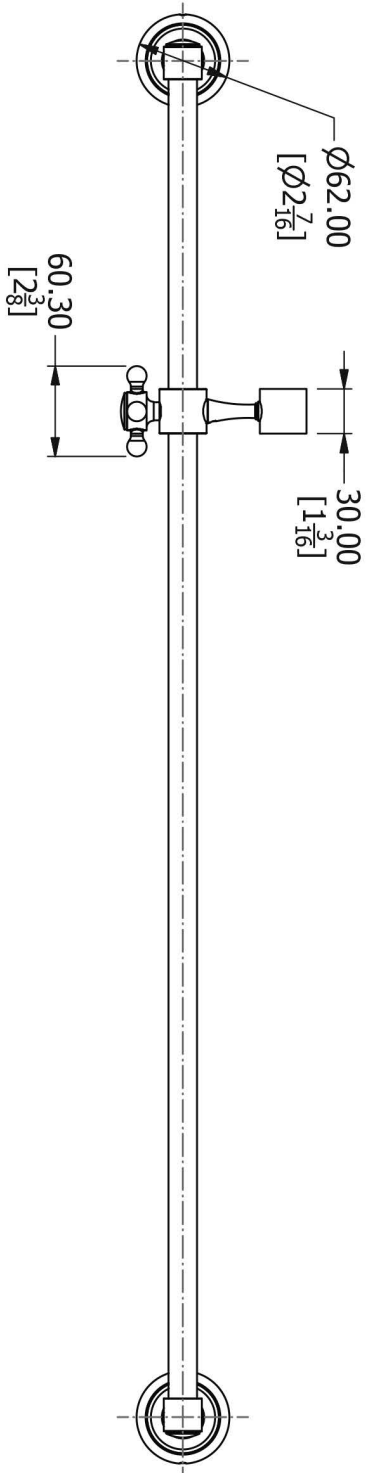
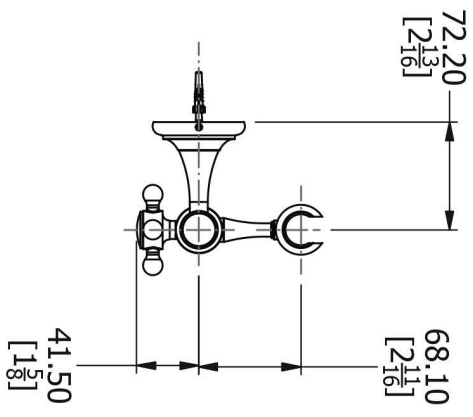
PRODUCT DATA SHEET

SHO-BRO-CON-SLR (VCS270) hand shower
& slider rail kit

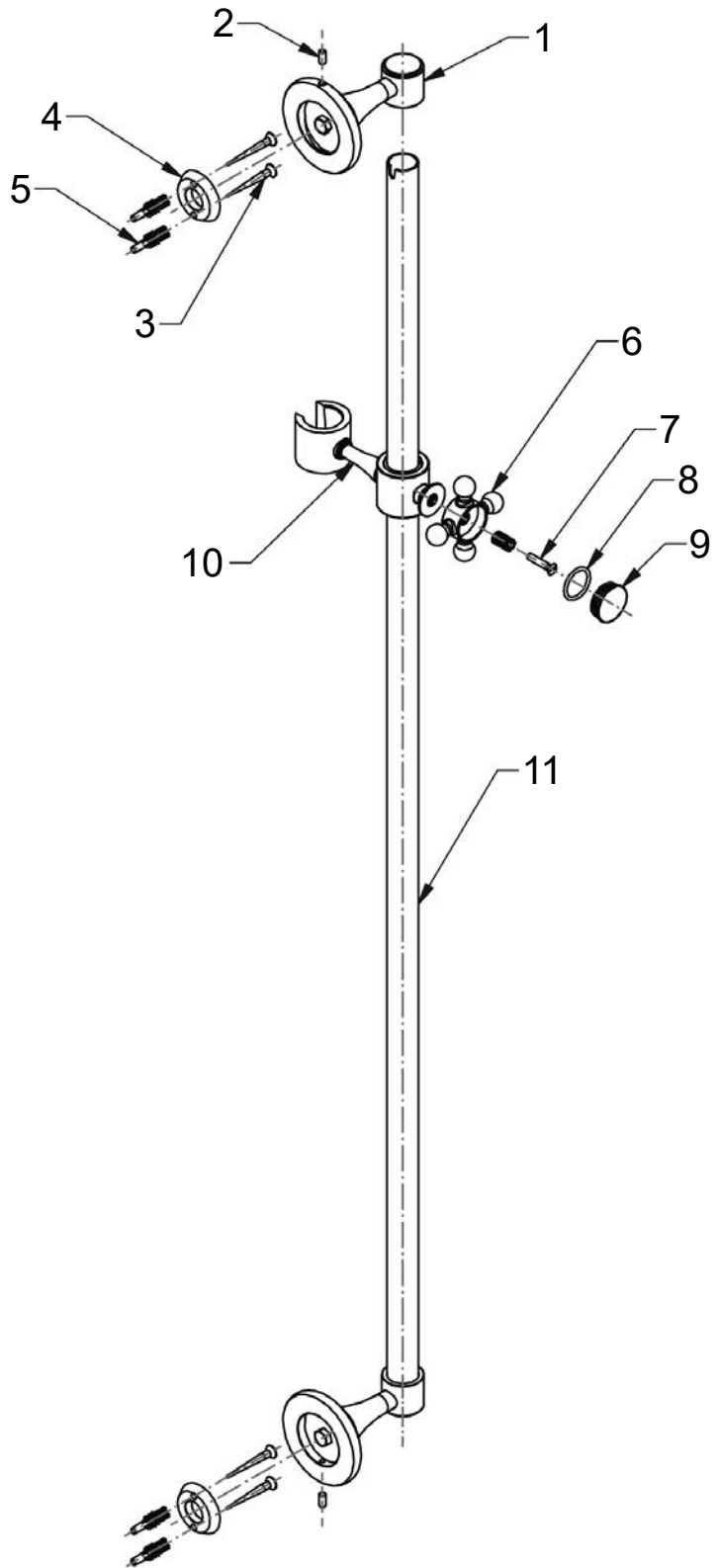




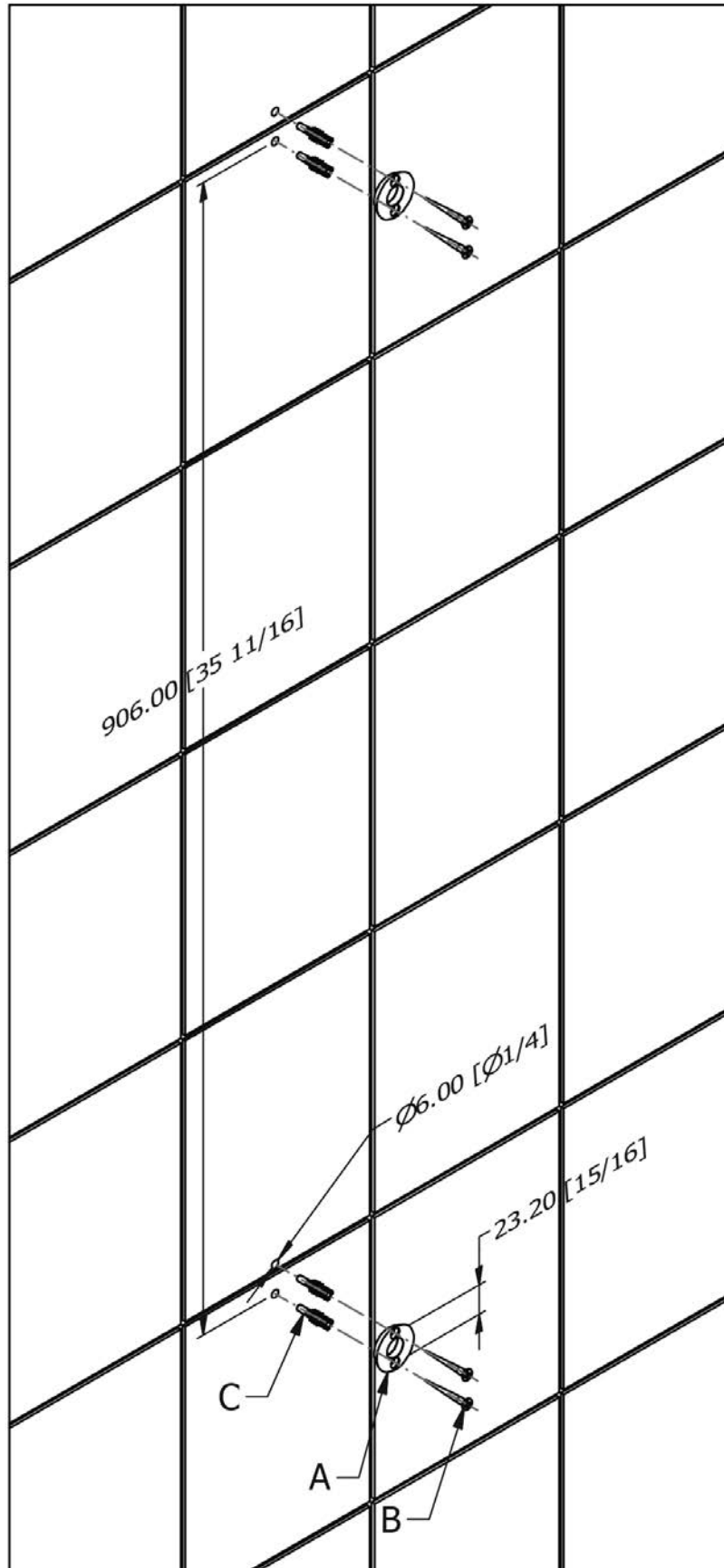
Dimension Key



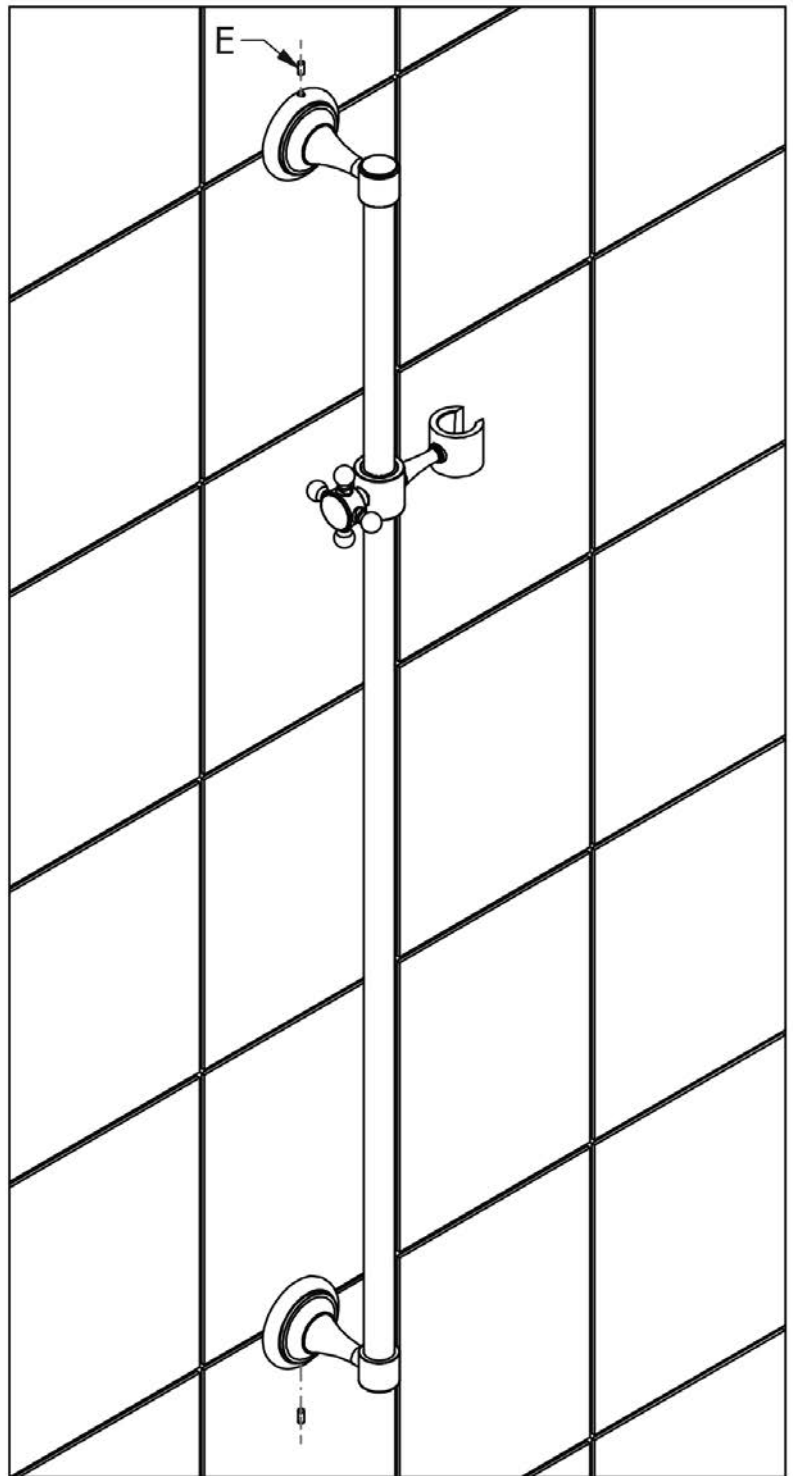
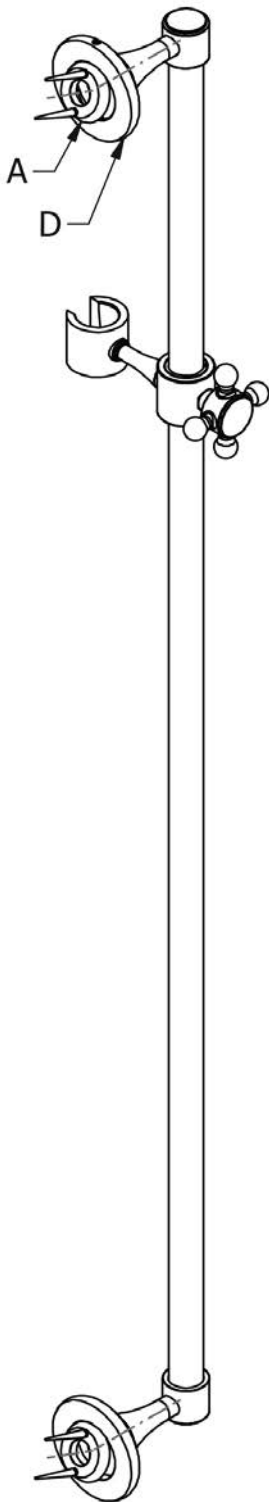
Spares Information



Item	Part No.	Description
1	-	Wall Mount
2	-	Grub Screw
3	-	Screw
4	-	Chassis
5	-	Wall Plug
6	-	Cross Top
7	-	Screw
8	-	O-Ring
9	-	Indice
10	-	Handset Holder
11	-	Rail



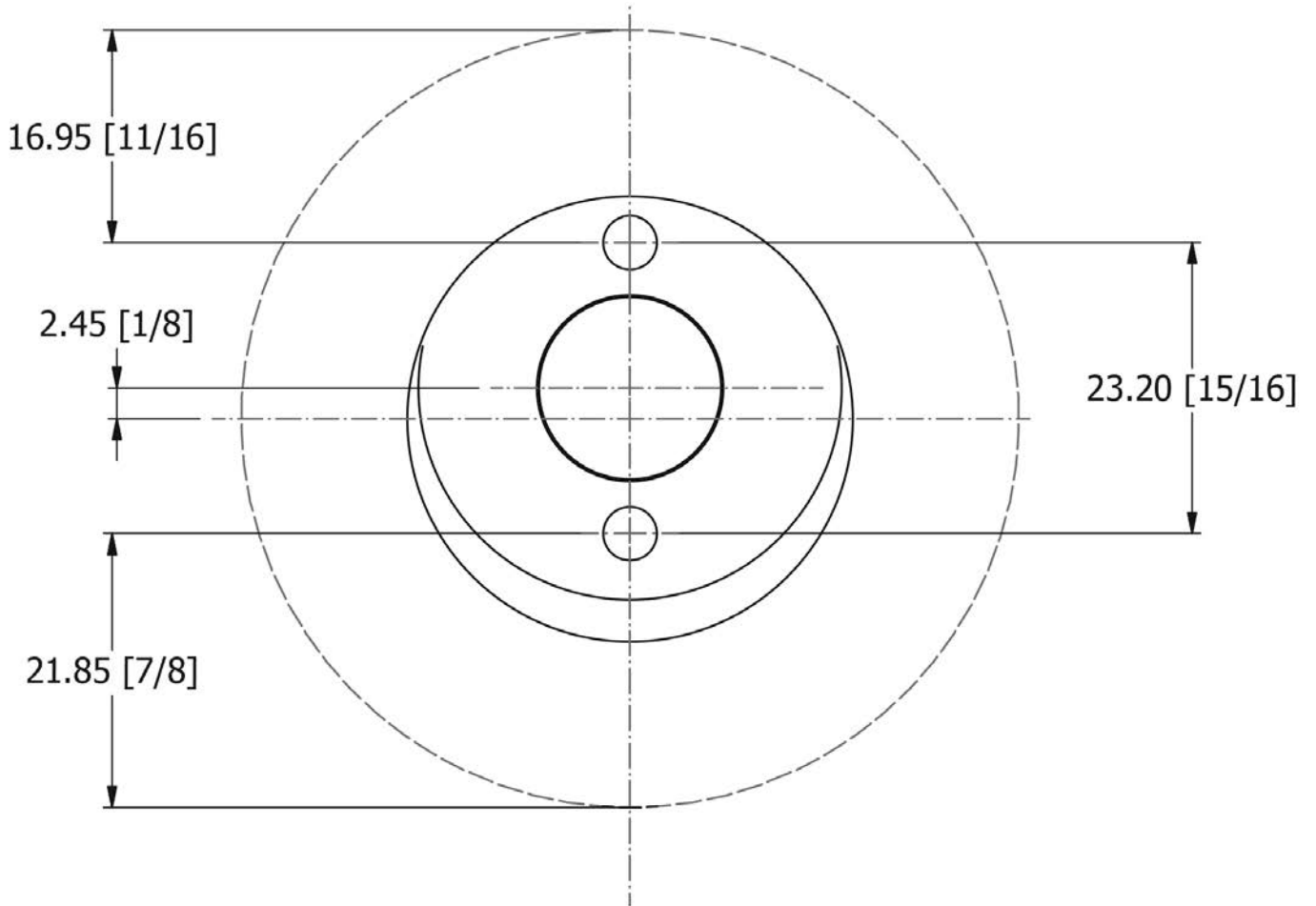
1. Install chassis' (A) to wall using screws (B) and wall plugs (C).



2. Hook roses (D) onto chassis' (A), ensuring the chassis slots into dovetail feature on rose (D).
3. Secure using grub screw (E).

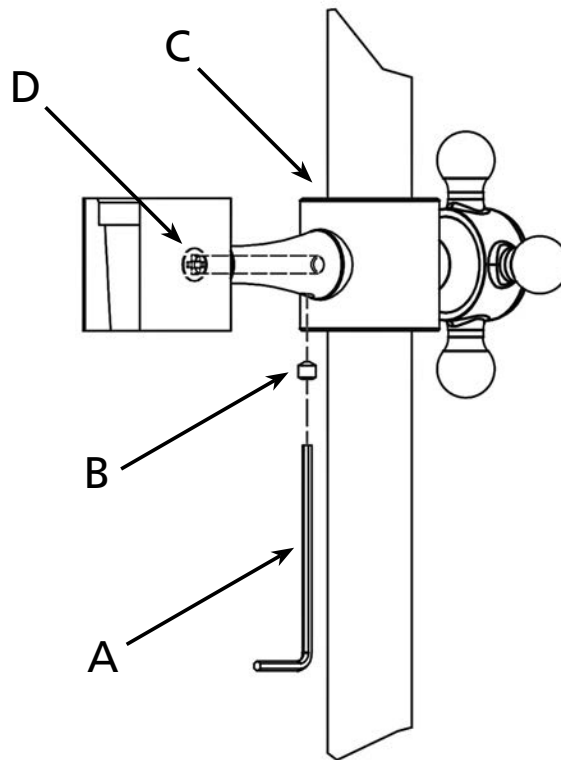


Claybrook.





Claybrook.



To increase tension in the handset bracket (C):

1. Undo grub screw (B) using Allen key (A).
2. Tighten screw (D).
3. Re-assemble grub screw (B) and tighten.

SAFETY NOTE

Prior to drilling into walls:

Check there are no hidden electrical wires, cables or water supply pipes with the aid of an electronic detector.

Note: Wall plugs supplied are only suitable for solid stone / brick walls. For plasterboard walls use specialist wall plugs. *Seek advice from a specialist about the suitability of fixings to be used.*



Claybrook.

IMPORTANT NOTES

1. Installation should be carried out by a competent engineer, in accordance with water regulations.
2. Before installation, ensure supply pipes are flushed clean. Debris or loose particles will affect the efficiency of the ceramic disc cartridge.
3. For mixer taps, it is recommended that hot & cold pressures are equally balanced.
4. To help maintain the high quality finish, please clean with a soft damp cloth. Do not use abrasive polish or cleaners. Stains may be removed using undiluted washing up liquid.
5. Ceramic cartridges in hard water areas. To prolong the lifespan and reduce servicing periods of your tap we recommend that a suitable water softener be fitted. Consult your installer/designer for details.
6. Please note that as with all tap and shower ware it will be necessary from time to time for the products to be serviced, this should be carried out by a qualified Plumbing Engineer.

**Claybrook
123 Curtain Road
Shoreditch
London
EC2A 3BX**

Tel: 020 7052 1555

8-40166-CS