



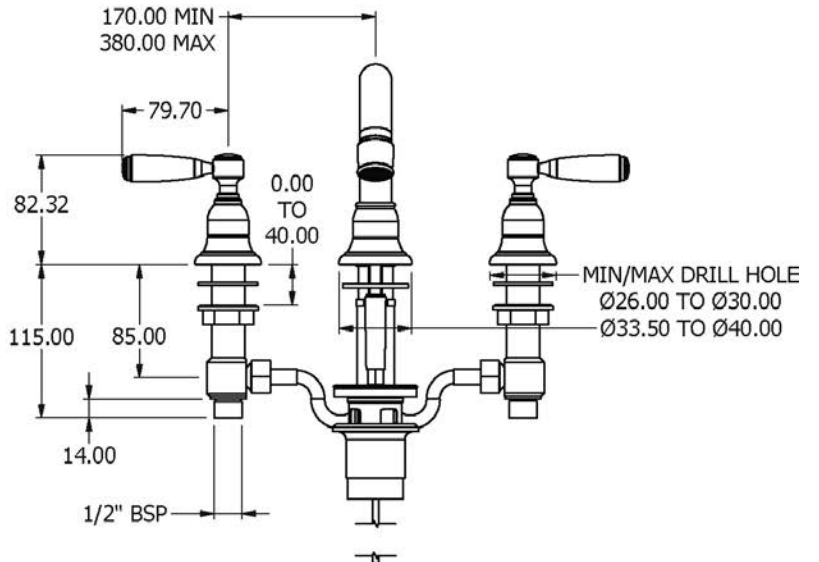
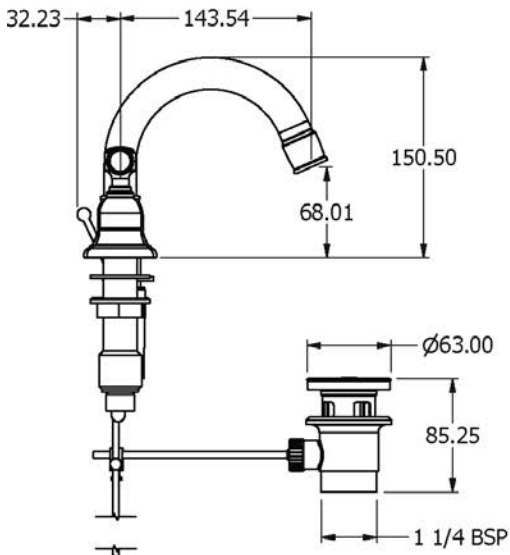
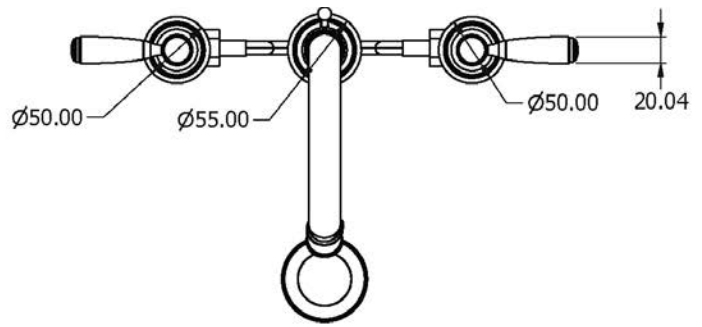
Claybrook.

PRODUCT DATA SHEET

SHO-BRO-BAS-3HM (VCS2K16) 3 Hole
medium spout basin filler tap - metal lever -
with pop up waste

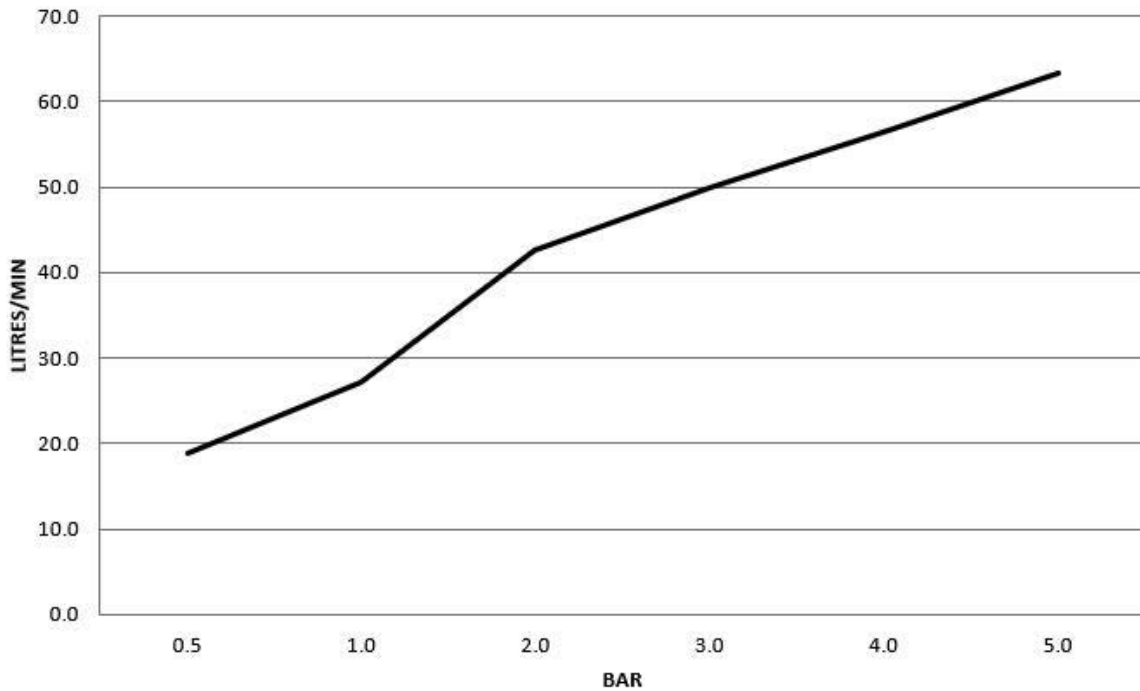


Dimension Key

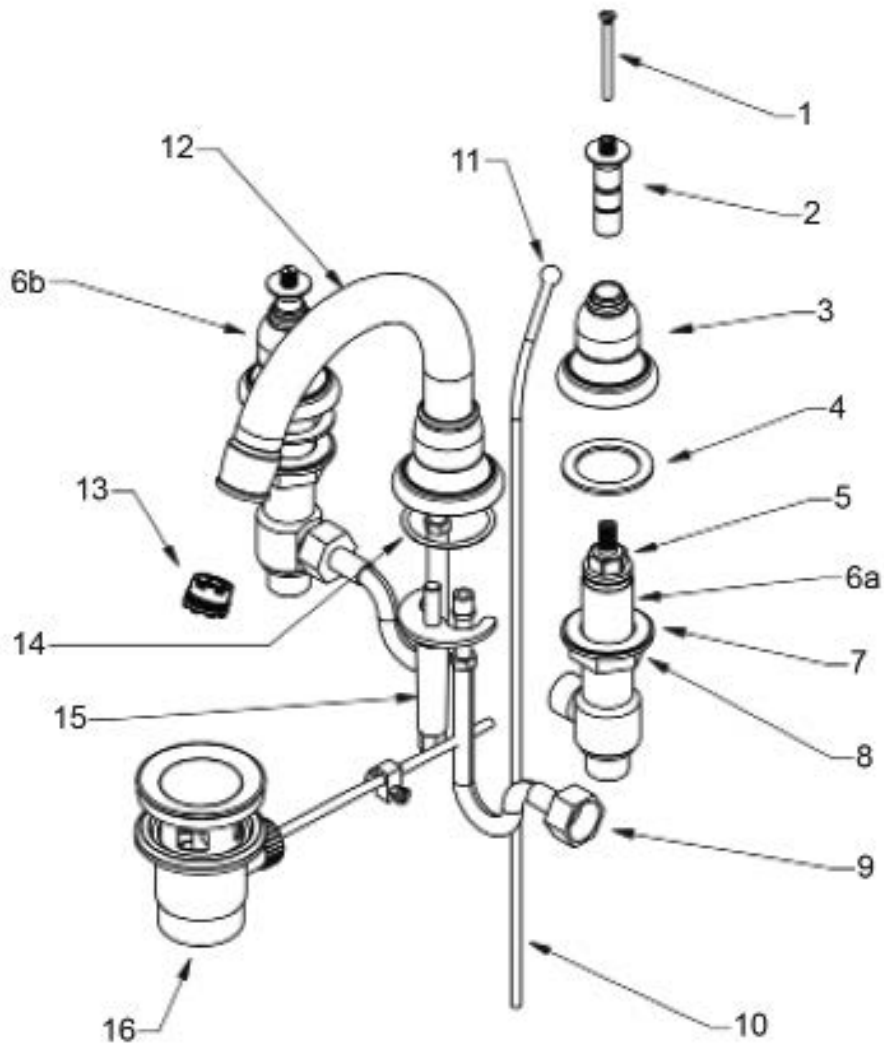


Flow Rate

FLOW RATE LITRES/MIN



The flow rate data provided in this document is indicative of each product and is given in an open outlet condition. Installation design, external connections and fittings not supplied may affect the data provided.



Item	Part No.	Description
1	-	Lever / Cross Top Fixing Screw
2	-	Lever / Cross Top Splined Stem
3	-	Side Valve Body
4	-	Deck Seating Washer
5	-	Ceramic Cartridge
6a	-	CD Valve (Anti-Clockwise Closing)
6b	-	CD Valve (Clockwise Closing)
7	-	Under Deck Washer
8	-	Under Deck Locking Nut
9	-	Flexi Connecting Hose
10	-	Pop-Up Rod
11	-	Pop-Up Knob
12	-	Spout
13	-	Aerator / Flow Controller
14	-	Deck Spout Seal
15	-	'C' Washer Fixing Kit
16	-	Basin Waste



Claybrook.

IMPORTANT NOTES

- 1. Installation should be carried out by a competent engineer, in accordance with water regulations.**
- 2. Before installation, ensure supply pipes are flushed clean. Debris or loose particles will affect the efficiency of the ceramic disc cartridge.**
- 3. For mixer taps, it is recommended that hot & cold pressures are equally balanced.**
- 4. To help maintain the high quality finish, please clean with a soft damp cloth. Do not use abrasive polish or cleaners. Stains may be removed using undiluted washing up liquid.**
- 5. Ceramic cartridges in hard water areas. To prolong the lifespan and reduce servicing periods of your tap we recommend that a suitable water softener be fitted. Consult your installer/designer for details.**
- 6. Please note that as with all tap and shower ware it will be necessary from time to time for the products to be serviced, this should be carried out by a qualified Plumbing Engineer.**

**Claybrook
123 Curtain Road
Shoreditch
London
EC2A 3BX**

Tel: 020 7052 1555

8-40111-CS