



Claybrook.

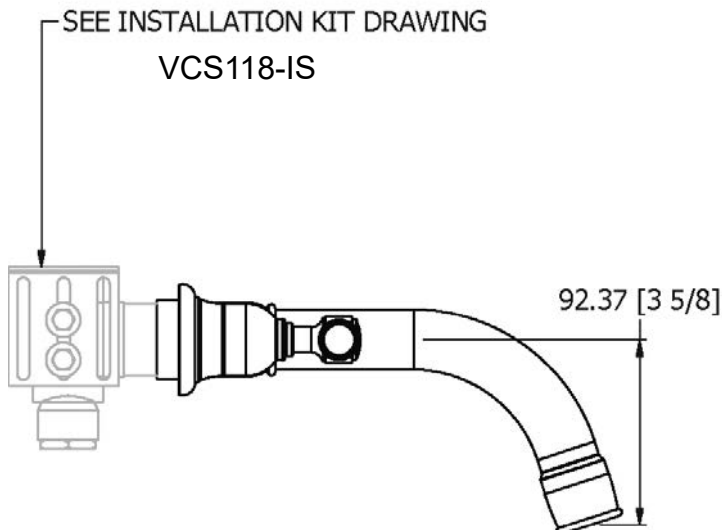
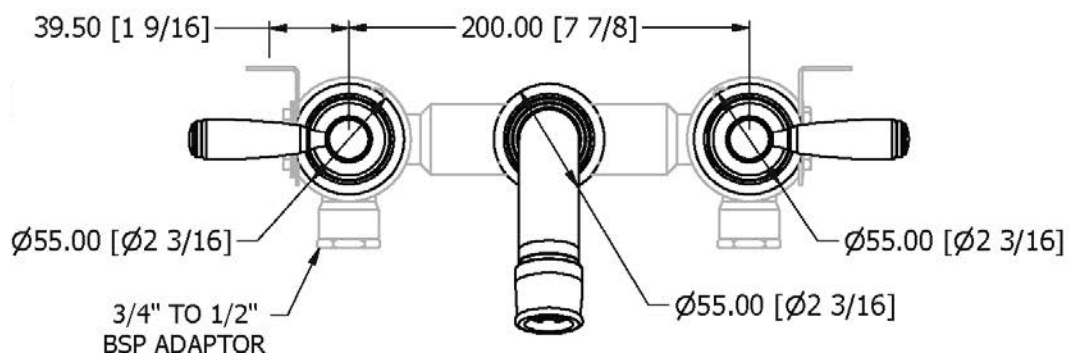
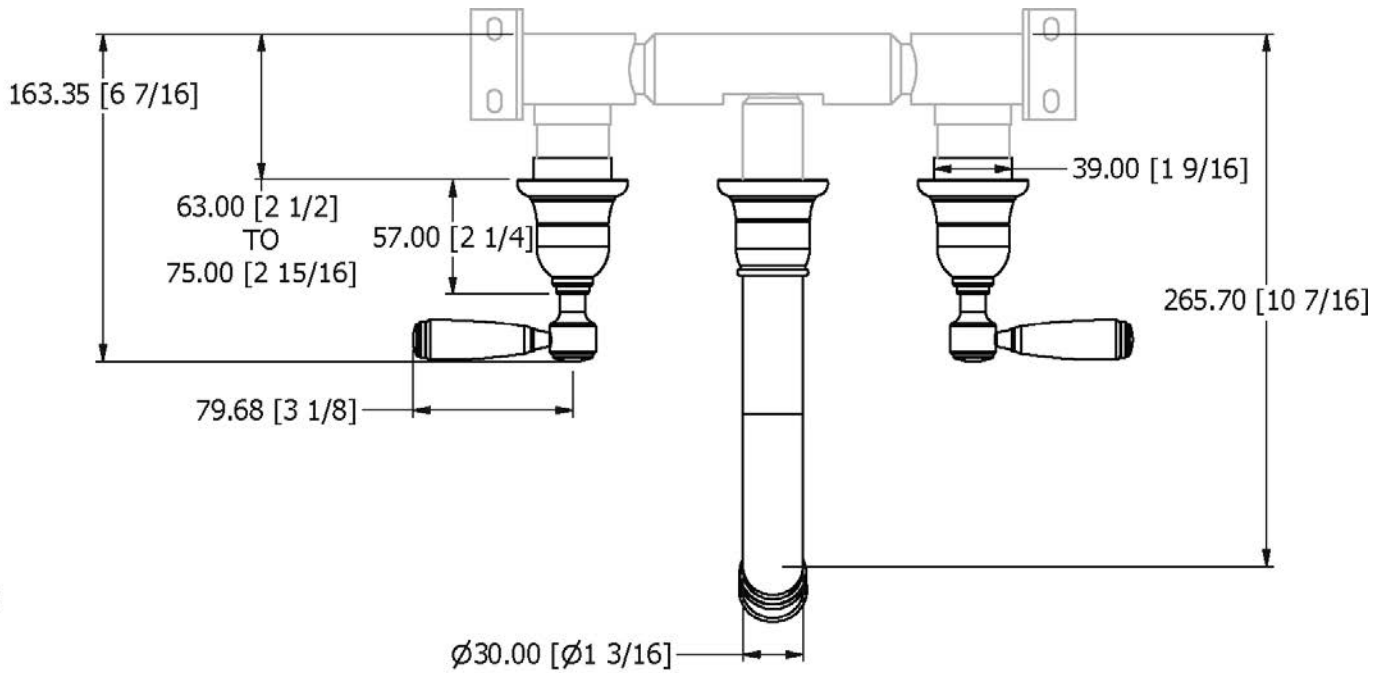
PRODUCT DATA SHEET

TAP-BRO-BAT-3HW (VCS2K47) 3 Hole wall
mounted bath filler tap - lever



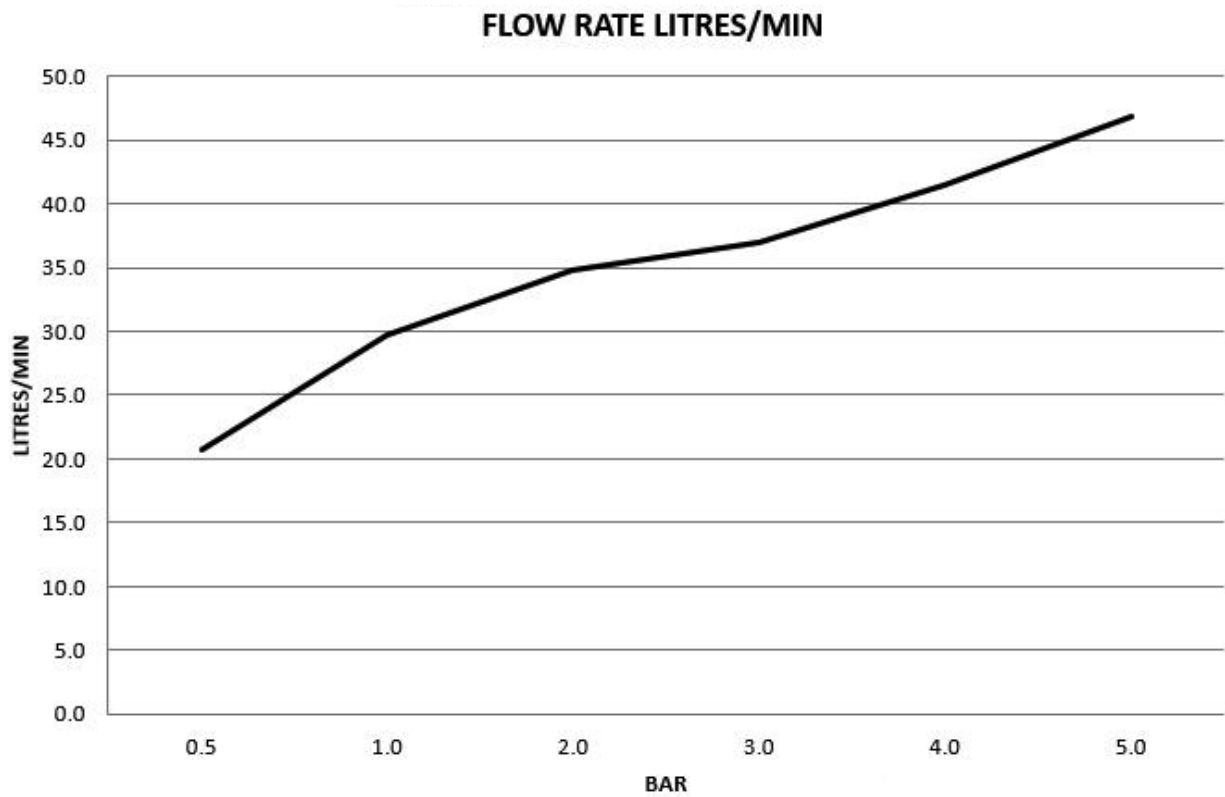


Claybrook.





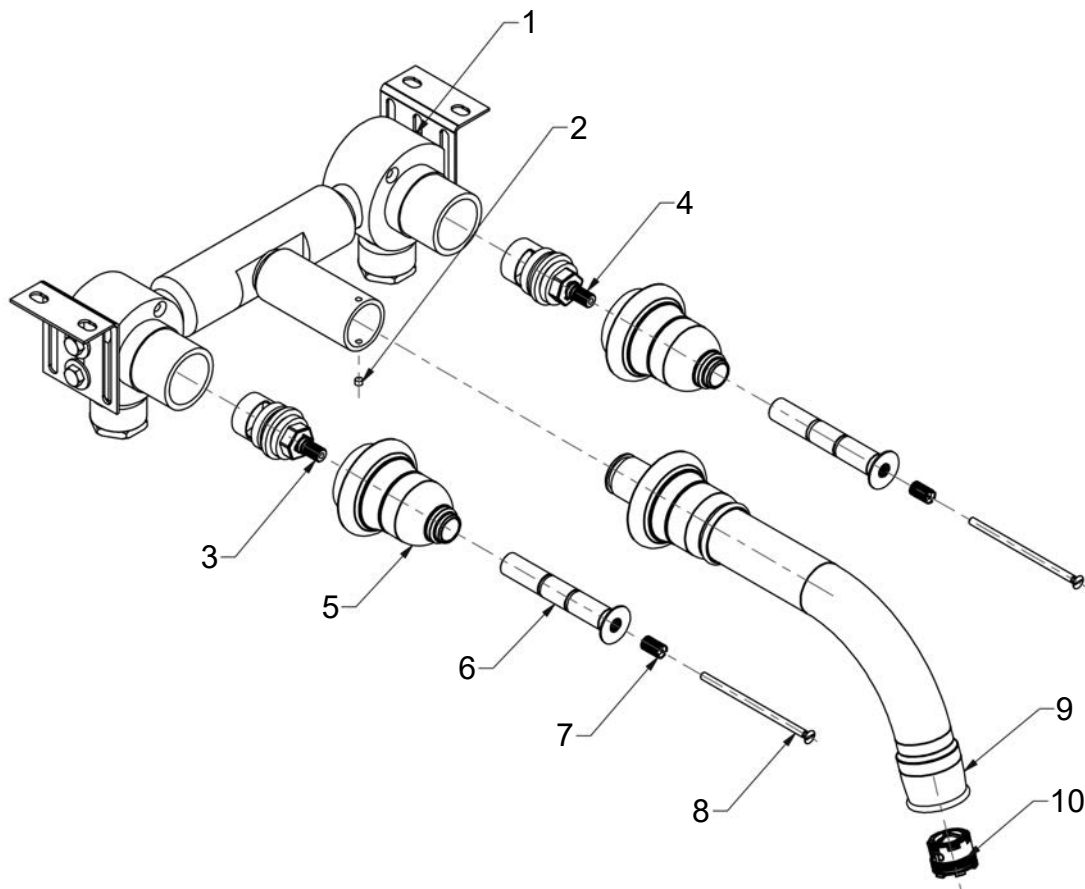
Claybrook.



The flow rate data provided in this document is indicative of each product and is given in an open outlet condition. Installation design, external connections and fittings not supplied may affect the data provided.



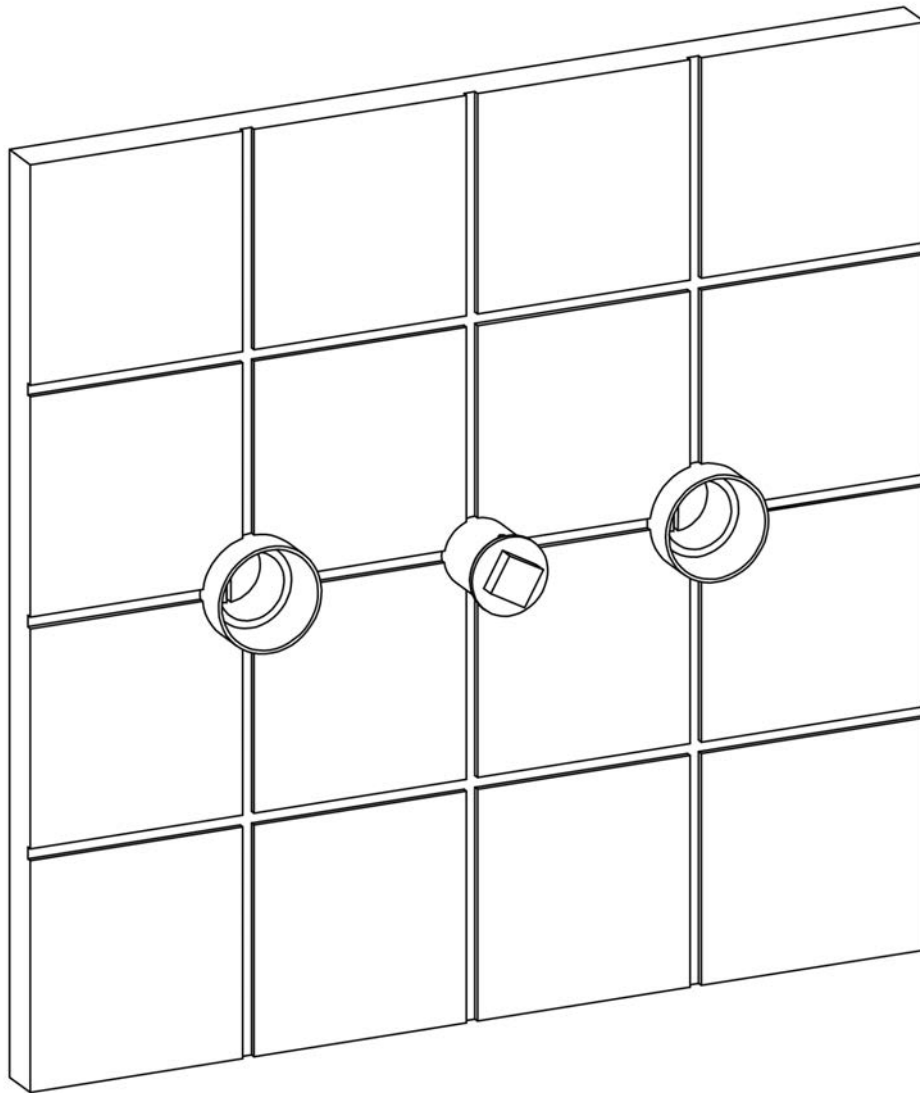
Claybrook.



Item	Part No.	Description
1	-	Installation Kit
2	-	Grub Screw
3	-	CD Valve (Anti-Clockwise Closing)
4	-	CD Valve (Clockwise Closing)
5	-	Side Valve Body
6	-	Splined Stem
7	-	Splined Spigot
8	-	Screw
9	-	Spout Assembly
10	-	Aerator



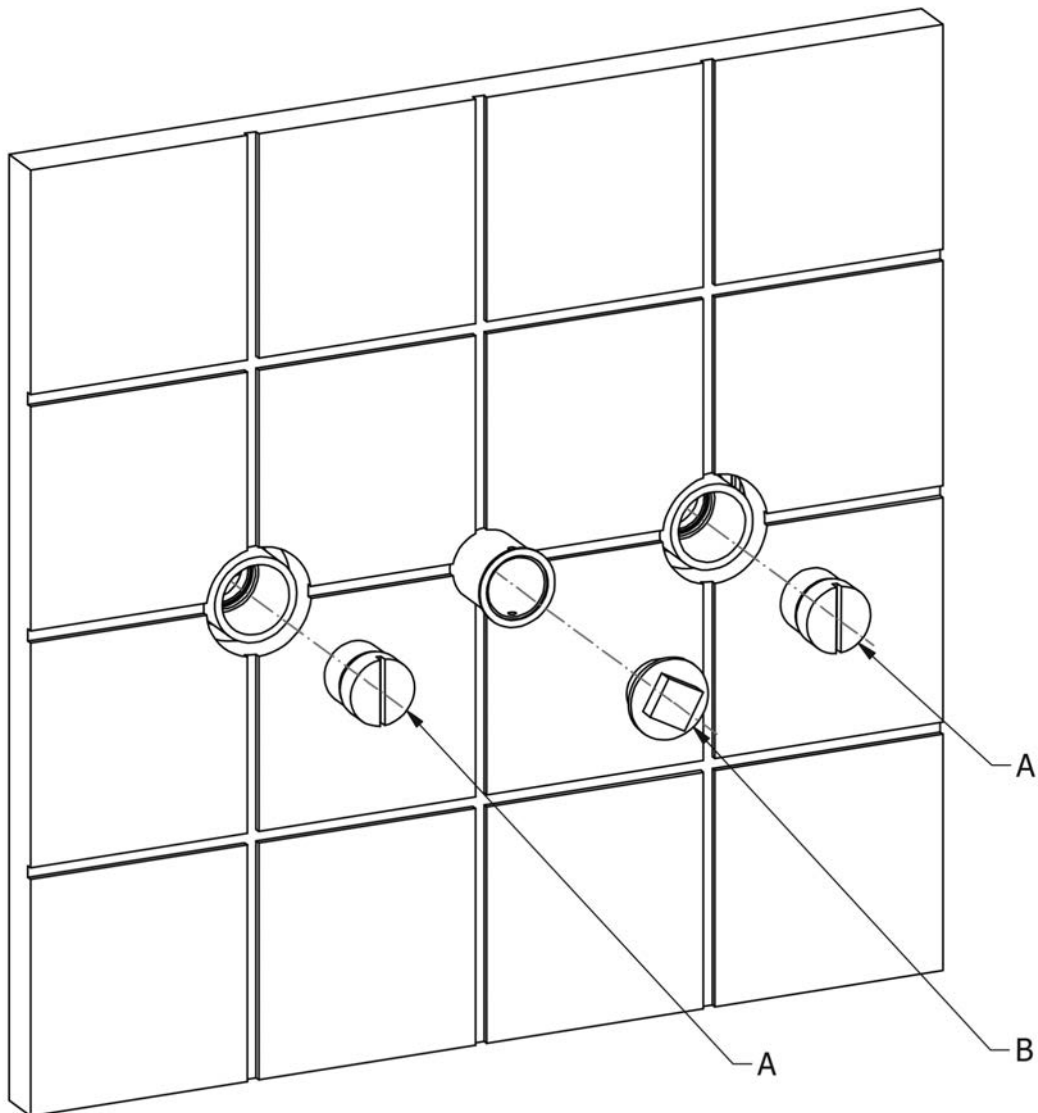
Claybrook.



1. Install the finished surface, ensuring the finished surface is in accordance with the minimum and maximum installation depths shown on the drawings in the front of this booklet.



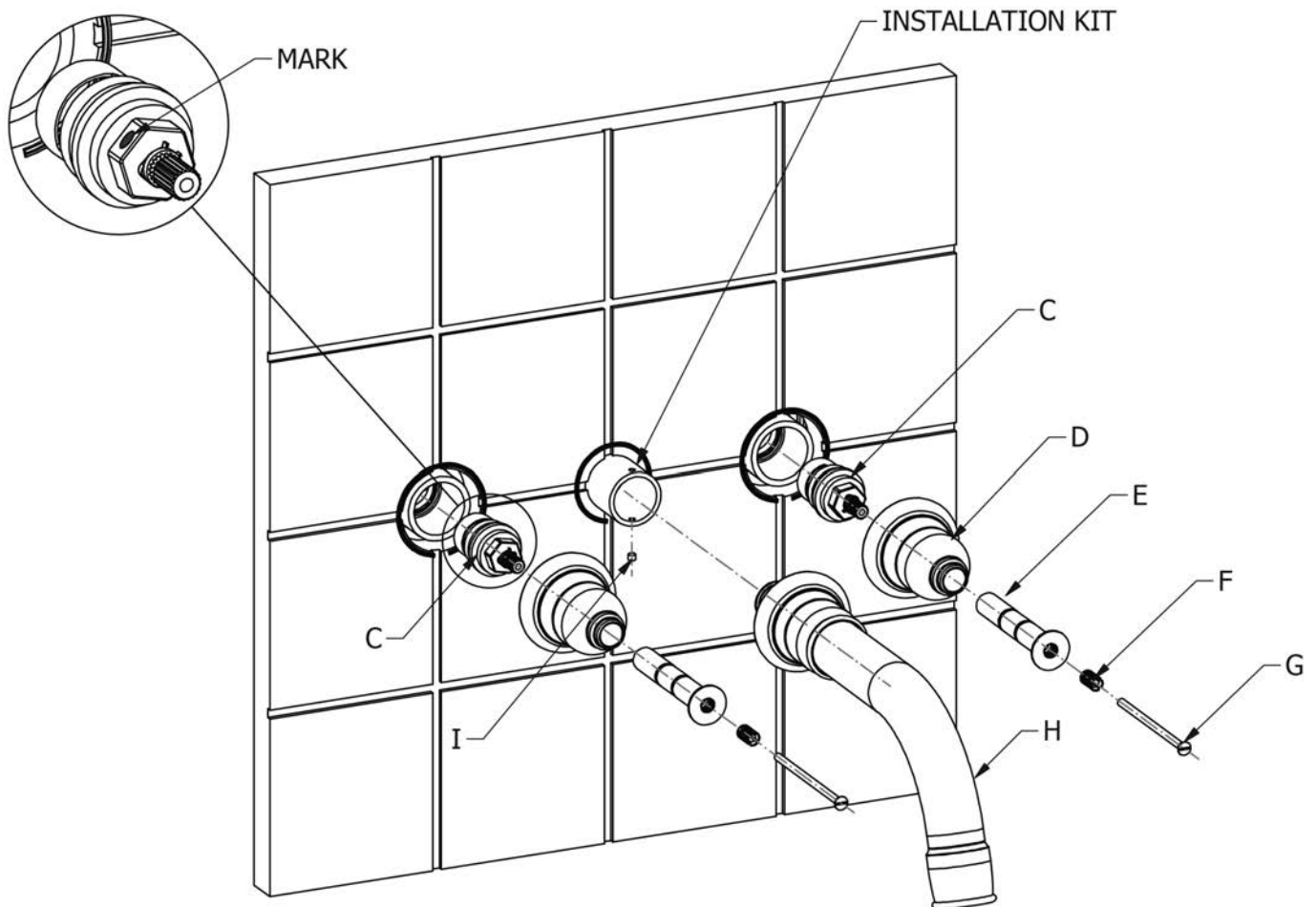
Claybrook.



2. Ensure the supply to the installation system is isolated.
3. Remove side valve bungs (A) and the spout outlet cap (B).

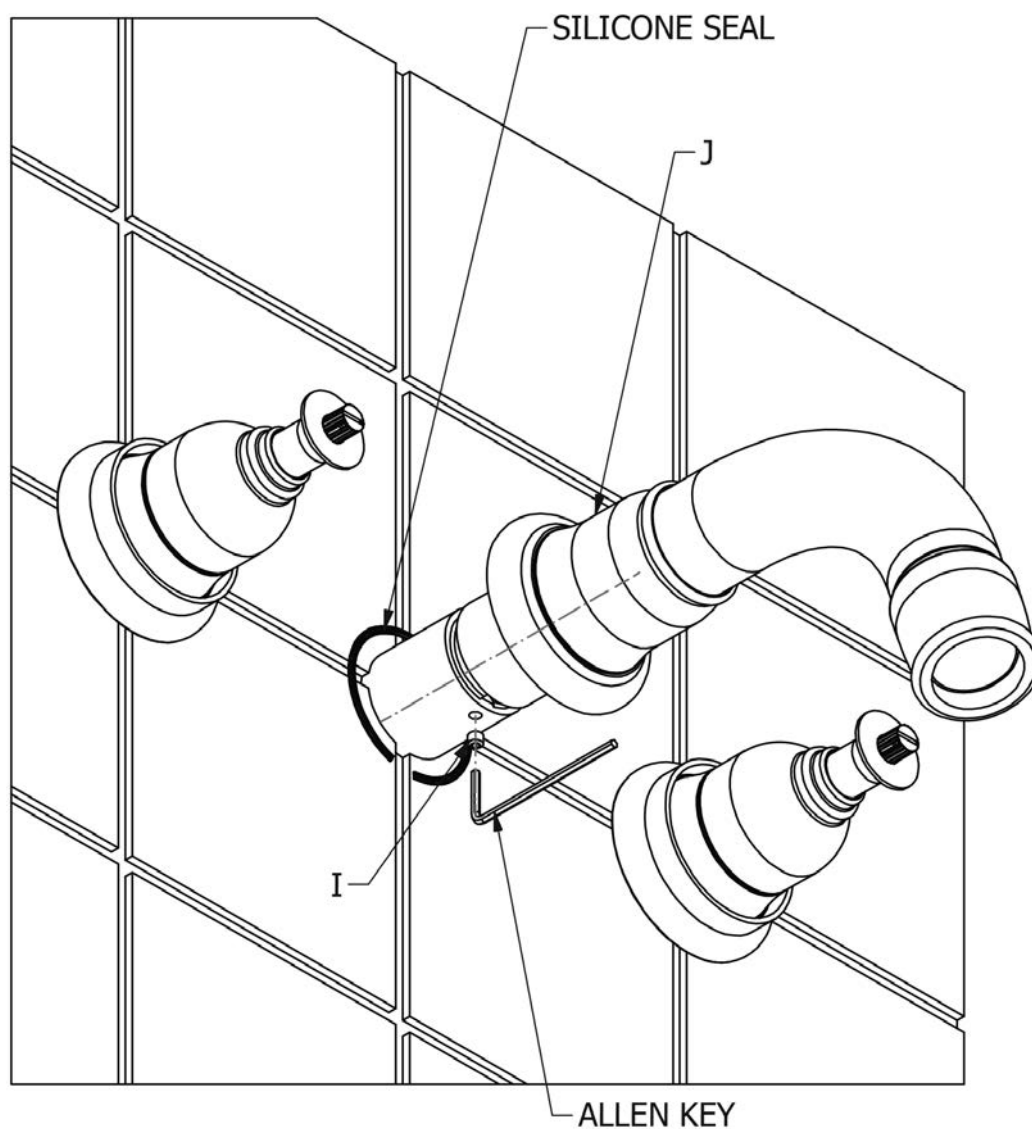


Claybrook.



4. Screw in CD valves (C) into the installation kit ensuring that the left CD valve has the mark as shown. Ensure valves are fully tightened.
5. Screw the side body (D) onto CD valves (C). Apply a suitable silicon sealant to the wall where the side body (D) will sit.
6. Push splined stem onto CD valve (C) through side body (D) and secure using splined spigot (F) and screw (G).
7. Screw spout assembly (H) into installation kit.

Claybrook.



8. Apply a suitable silicon sealant to the wall where the spout body (J) will sit. Slide spout body (J) over spout assembly (H) and secure using grub screw (I) with Allen Key. Ensure grub screw is fully tightened.



Claybrook.

IMPORTANT NOTES

1. Installation should be carried out by a competent engineer, in accordance with water regulations.
2. Before installation, ensure supply pipes are flushed clean. Debris or loose particles will affect the efficiency of the ceramic disc cartridge.
3. For mixer taps, it is recommended that hot & cold pressures are equally balanced.
4. To help maintain the high quality finish, please clean with a soft damp cloth. Do not use abrasive polish or cleaners. Stains may be removed using undiluted washing up liquid.
5. Ceramic cartridges in hard water areas. To prolong the lifespan and reduce servicing periods of your tap we recommend that a suitable water softener be fitted. Consult your installer/designer for details.
6. Please note that as with all tap and shower ware it will be necessary from time to time for the products to be serviced, this should be carried out by a qualified Plumbing Engineer.

**Claybrook
123 Curtain Road
Shoreditch
London
EC2A 3BX**

Tel: 020 7052 1555

8-40132-CS