



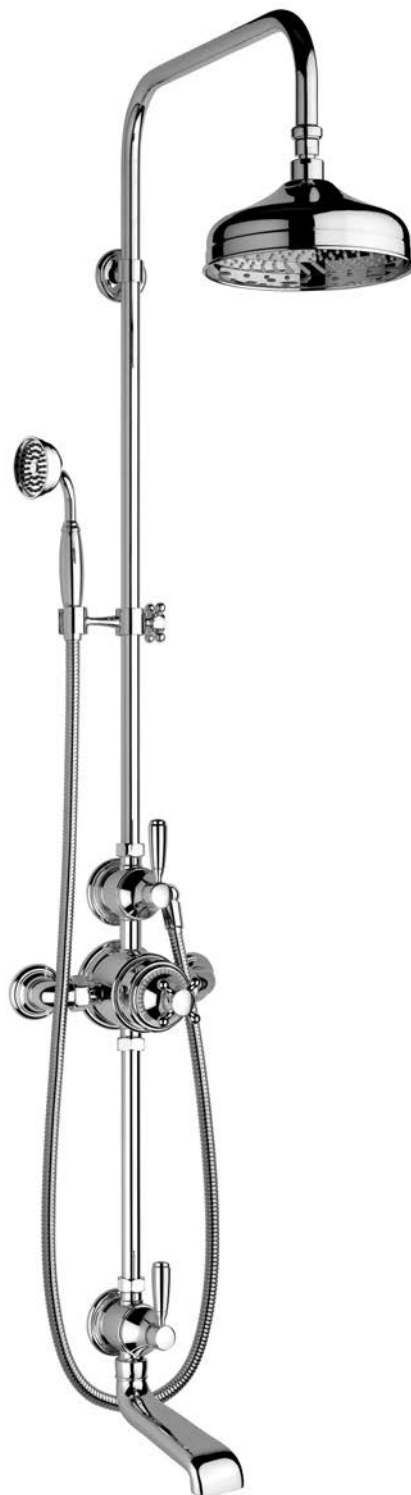
# Claybrook.

## PRODUCT DATA SHEET

### **SHO-BRO-EXP-HDS-BAT** (VCS2K4)

Exposed 3/4" thermostatic shower / bath set -  
metal lever - 200mm rose

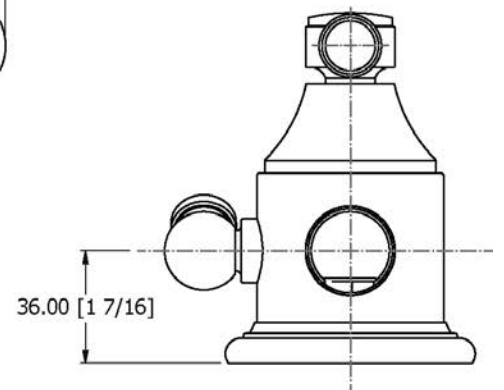
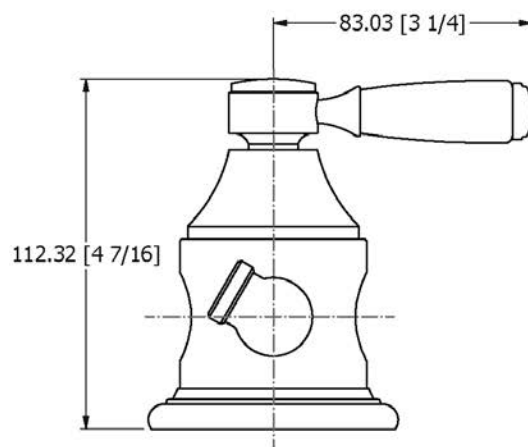
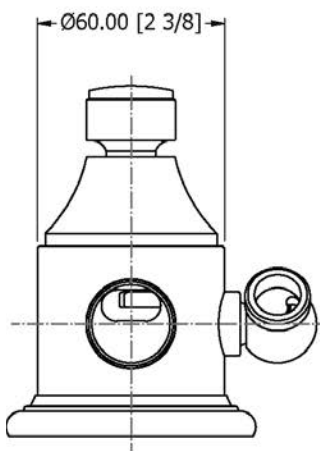
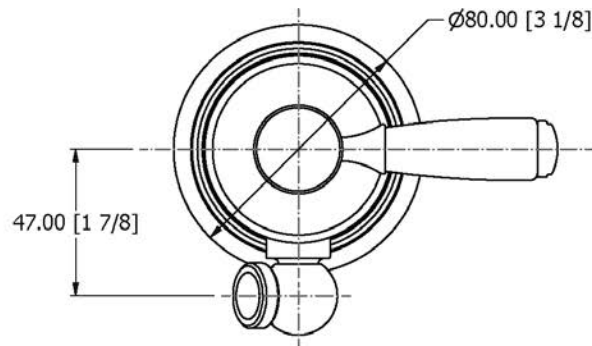
---



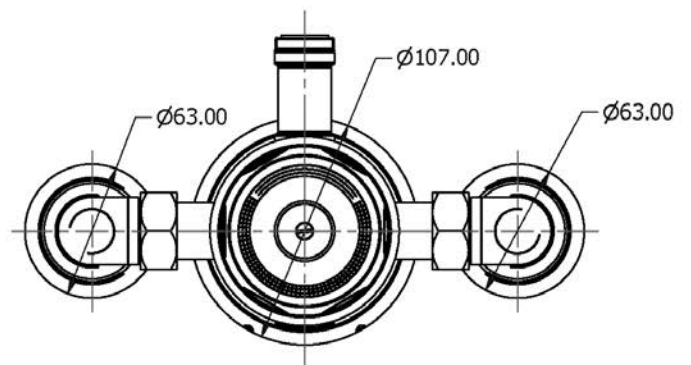
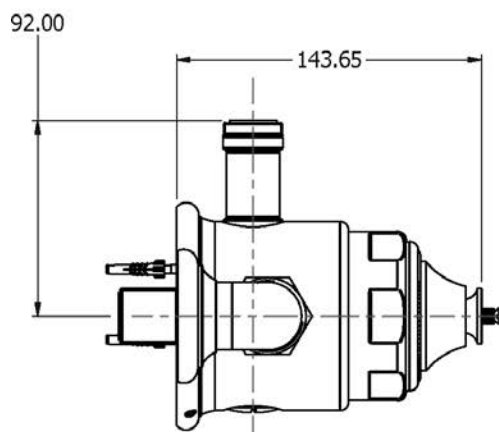
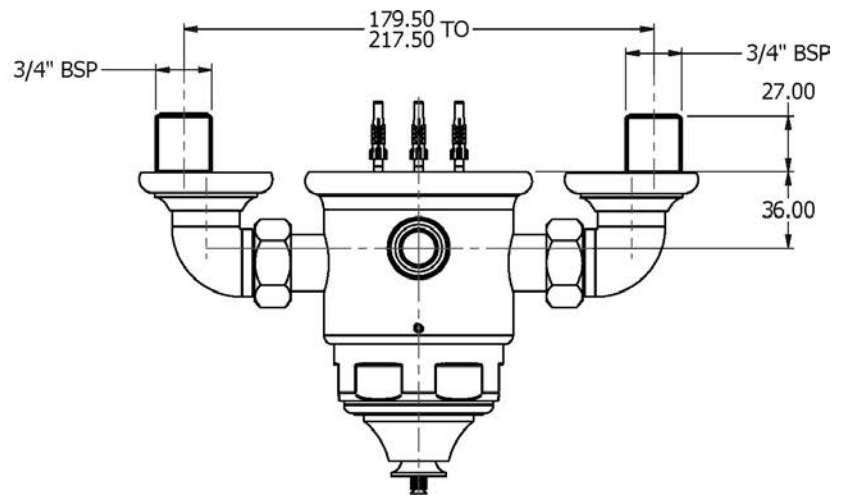


# Claybrook.

## VCS278-TM



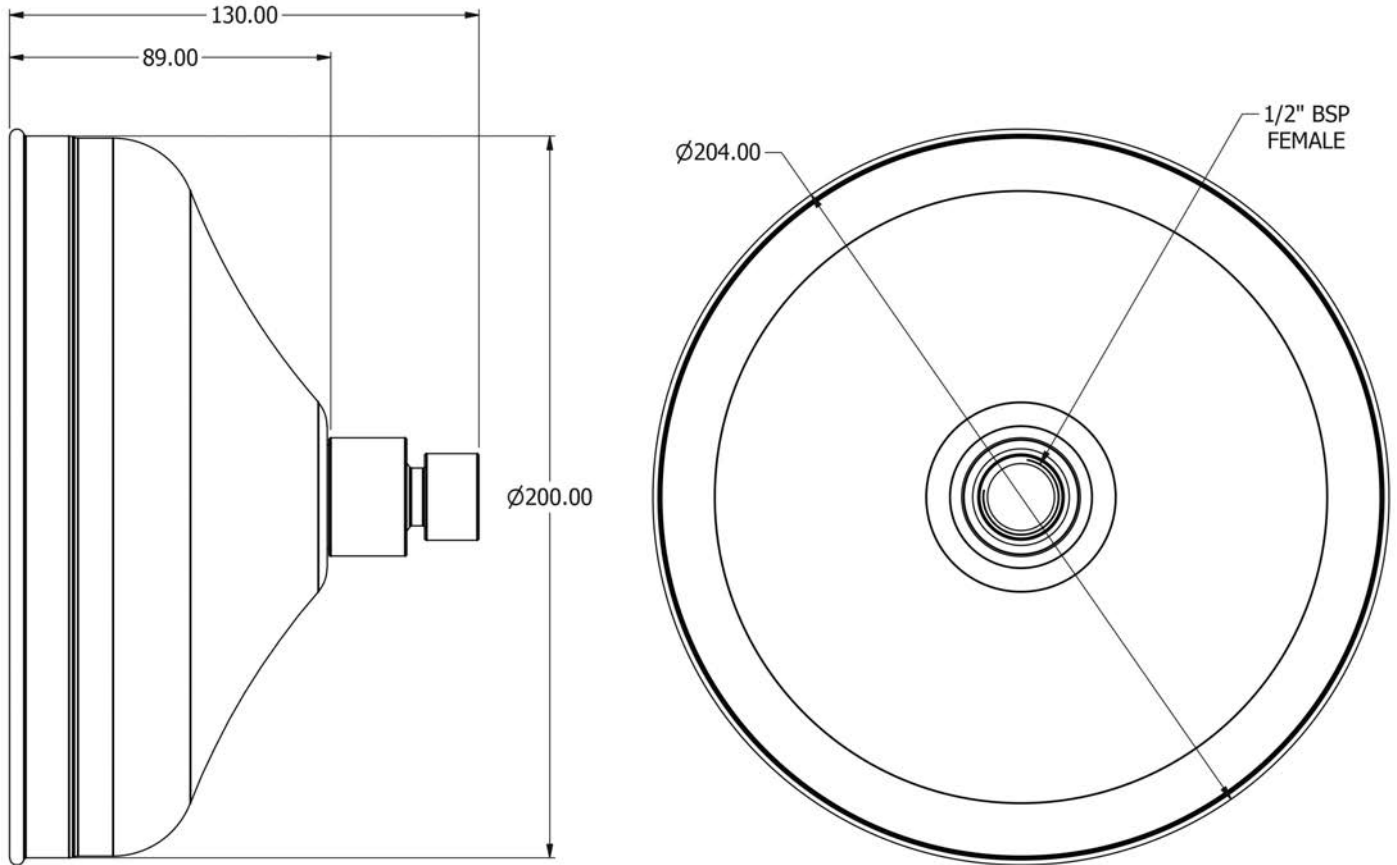
## VCS220-TX



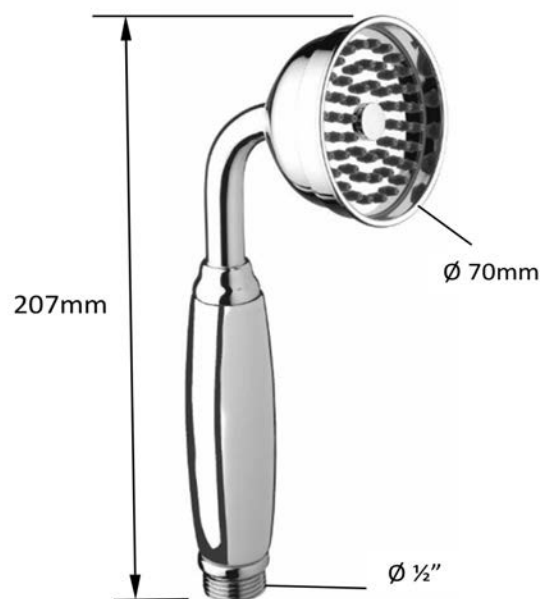


# Claybrook.

## VCS909



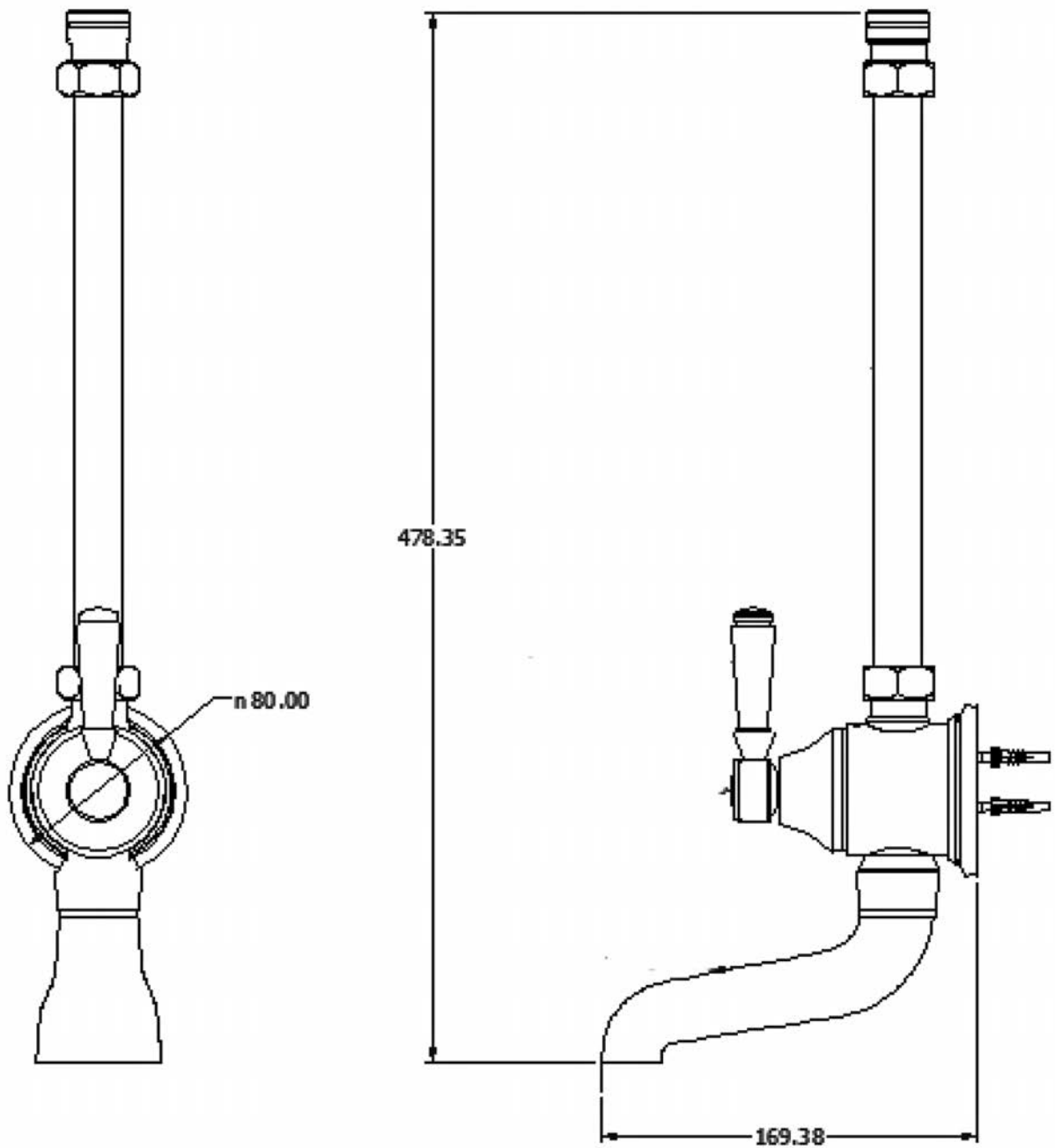
## VCS254M





# Claybrook.

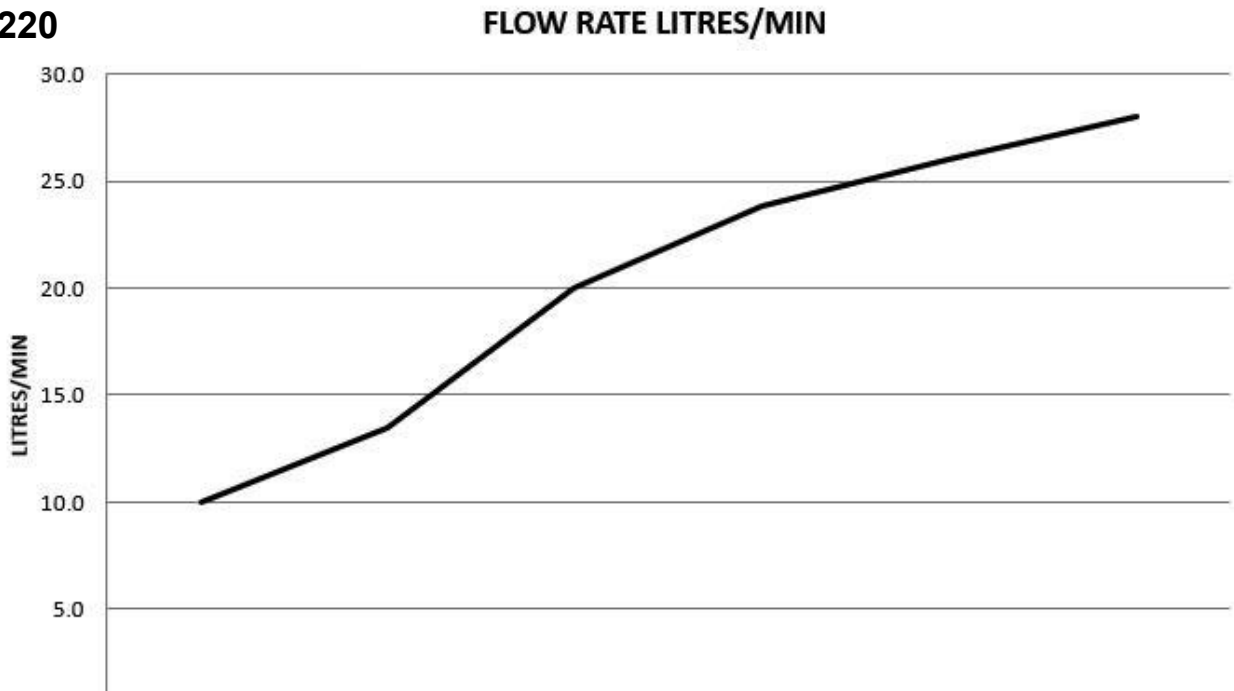
VCS228-TM



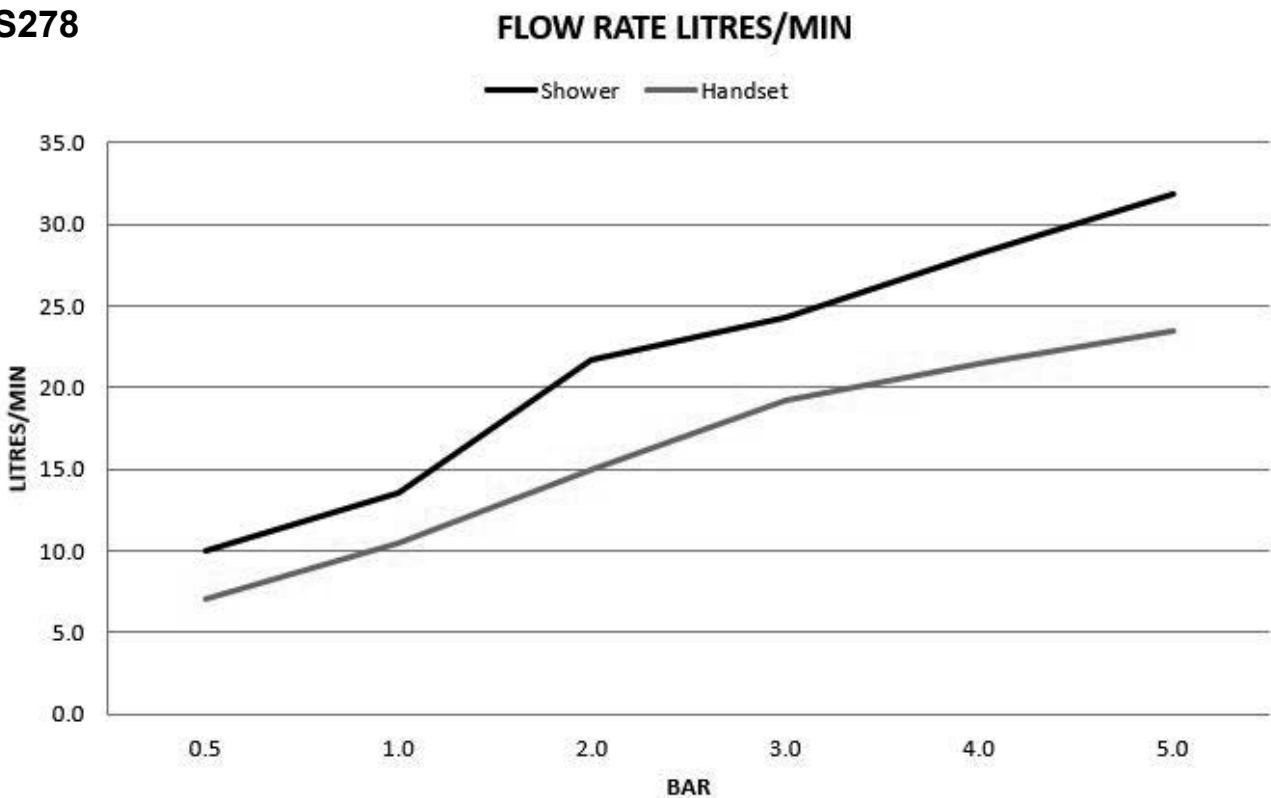


# Claybrook.

## VCS220



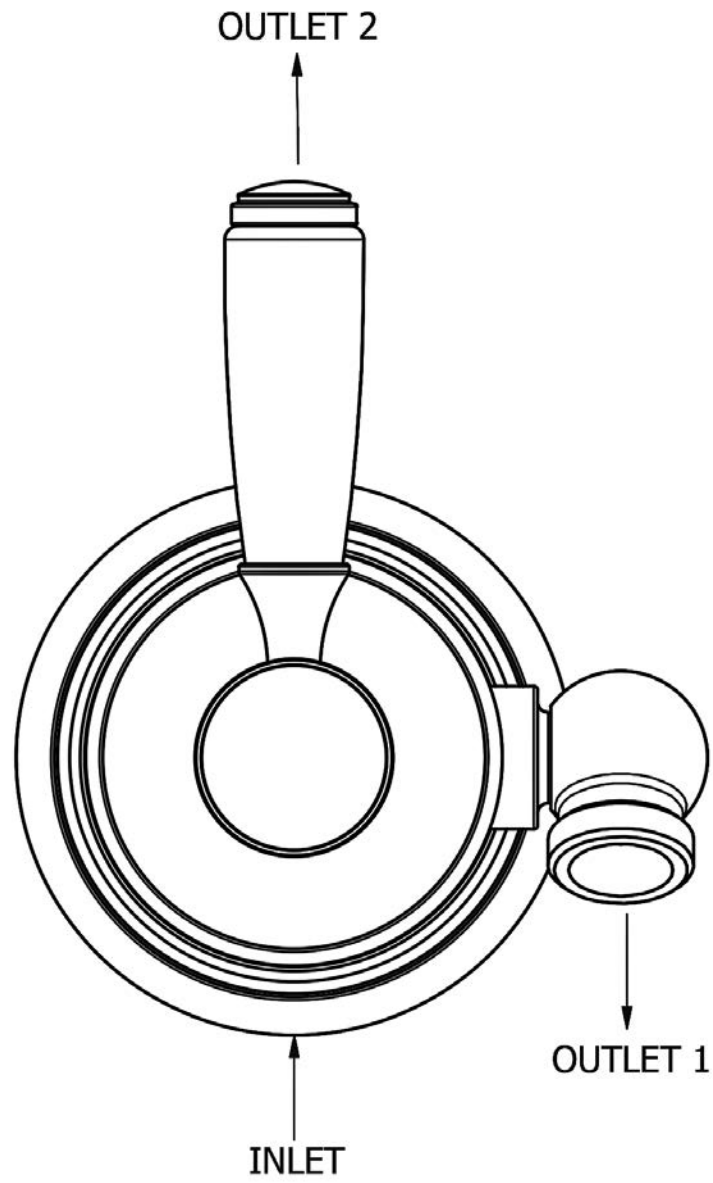
## VCS278



The flow rate data provided in this document is indicative of each product and is given in an open outlet condition. Installation design, external connections and fittings not supplied may affect the data provided.

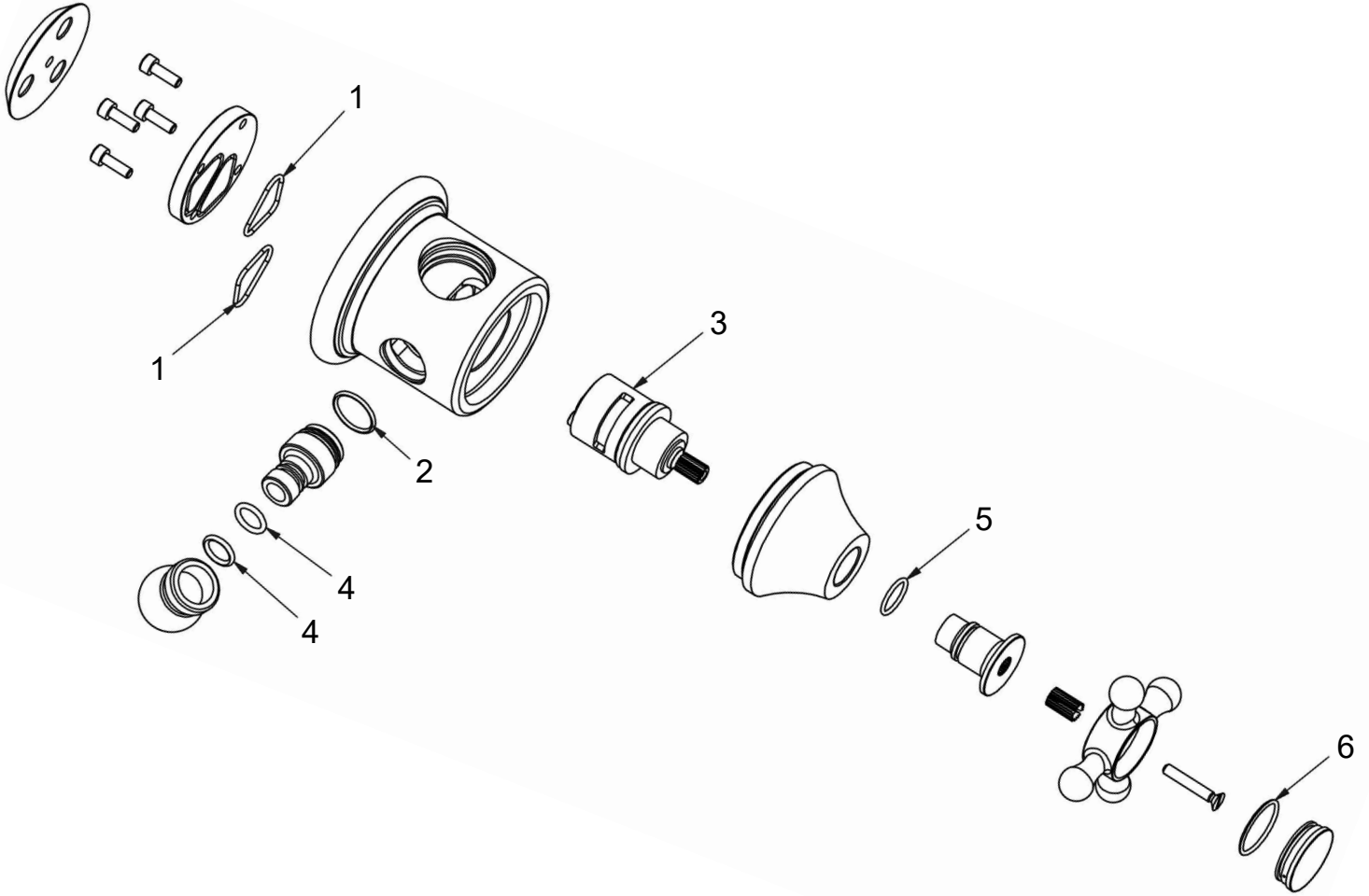
# Claybrook.

VCS278





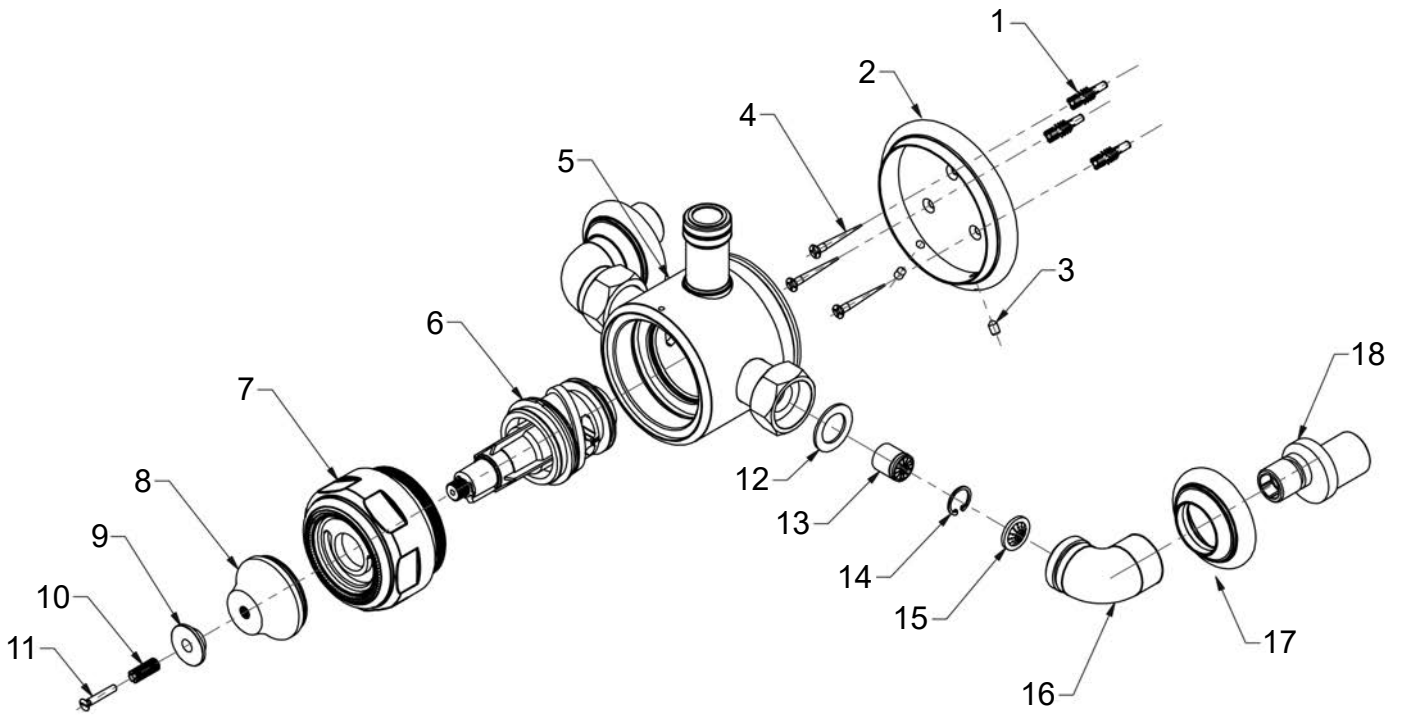
# Claybrook.



Item	Part No.	Description
1	-	O-Ring
2	-	O-Ring
3	-	Diverter Cartridge
4	-	O-Ring
5	-	O-Ring
6	-	O-Ring

# Spares Information

## VCS220

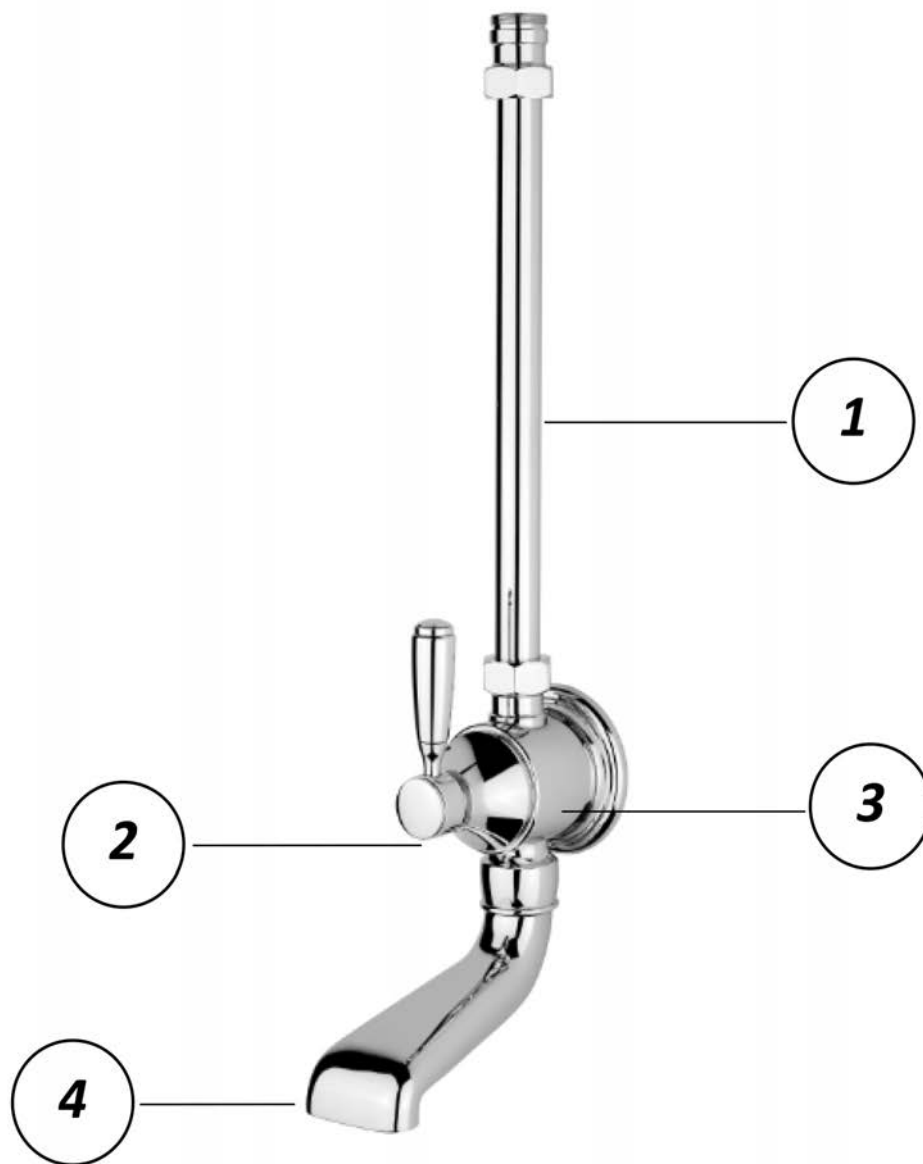


Item	Part No.	Description
1	-	Wall Plug
2	-	Escutcheon
3	-	Grub Screw
4	-	Screw
5	-	Body
6	-	Thermo Cartridge
7	-	Valve Cap
8	-	Valve Stem
9	-	Top Flange
10	-	Spindle
11	-	Screw
12	-	Washer
13	-	Check Valve
14	-	Circlip
15	-	Filter
16	-	Elbow
17	-	Elbow Escutcheon
18	-	Offset Connector





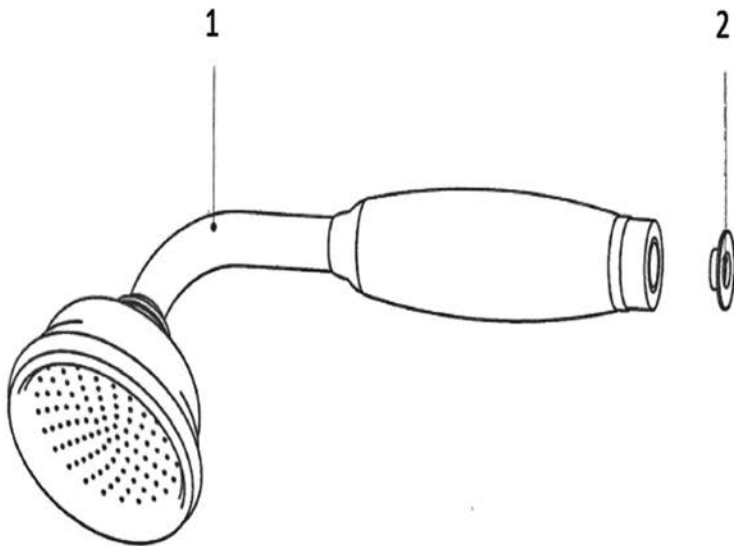
# Claybrook.



Item	Description	Quantity
1	Tube riser	1
2	Handle (x-top or lever)	1
3	Volume control	1
4	Spout	1

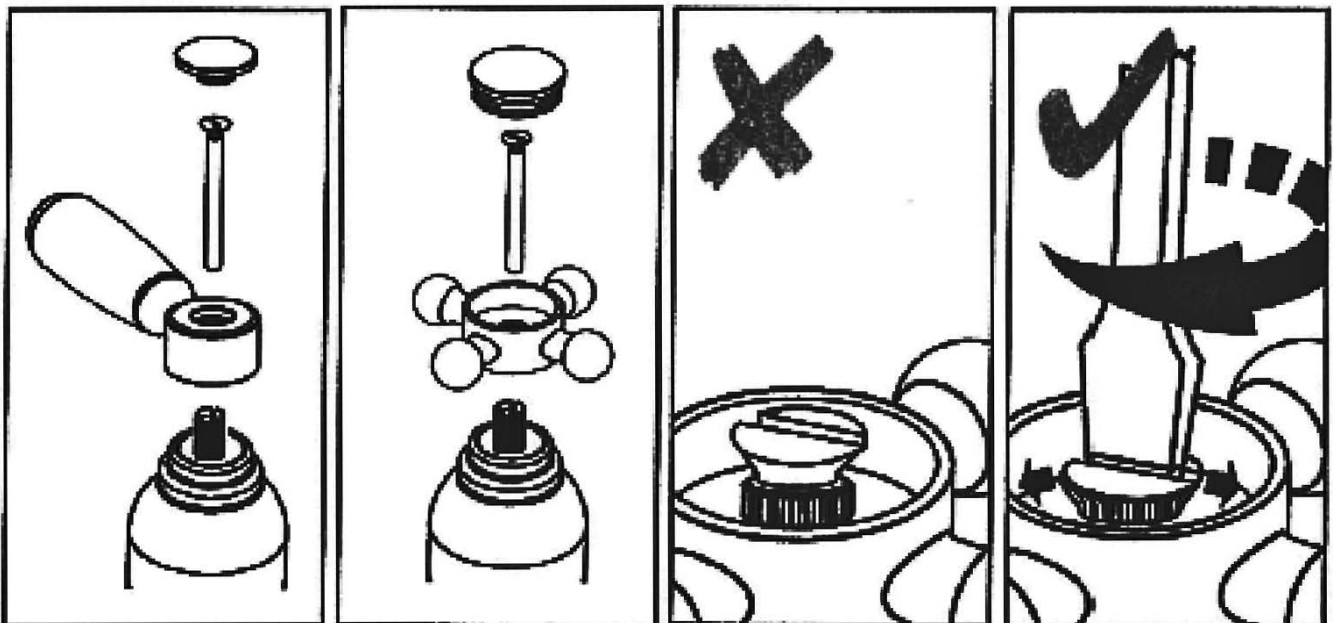


# Claybrook.

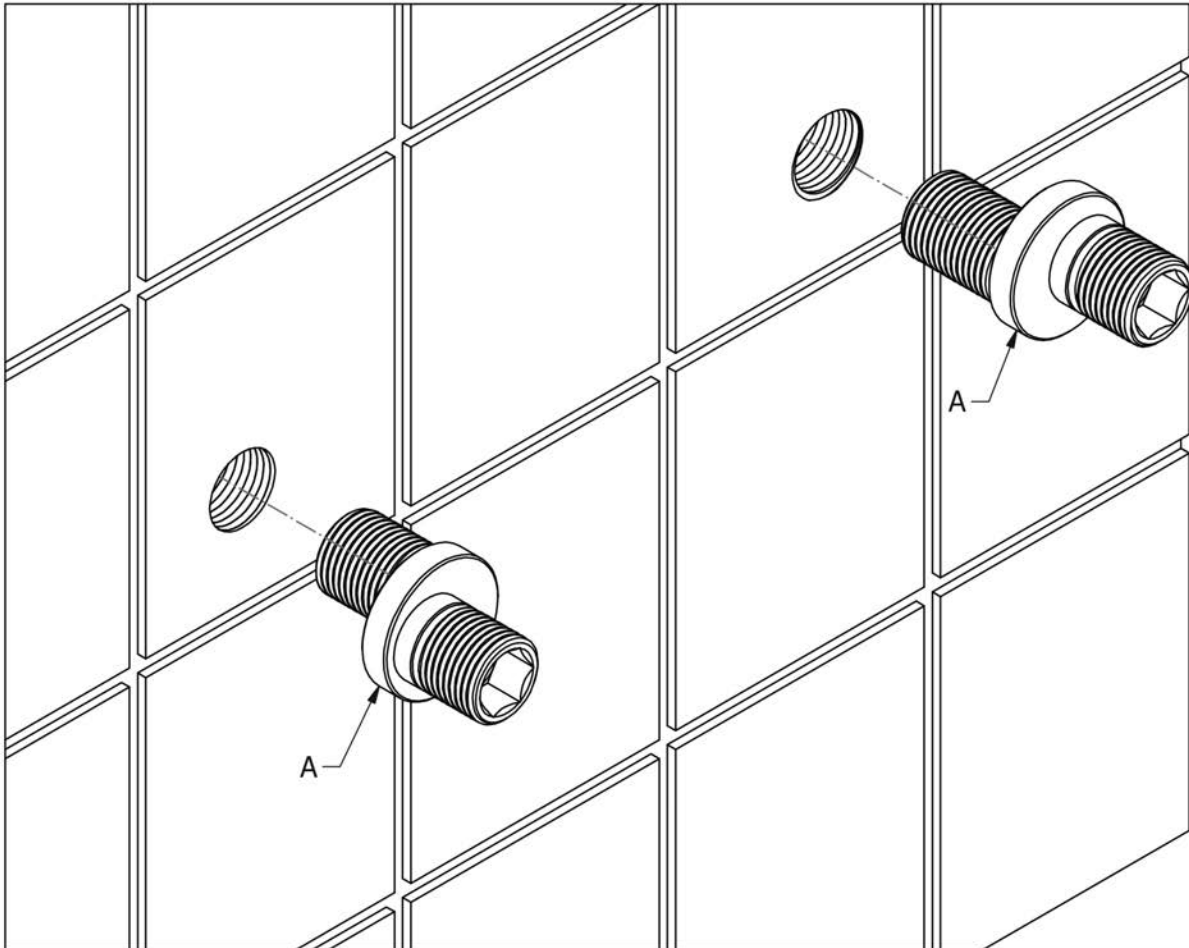


ITEM	DESCRIPTION
1	Handshower assembly
2	Flow regulator

## Cross-top/Lever Fitting

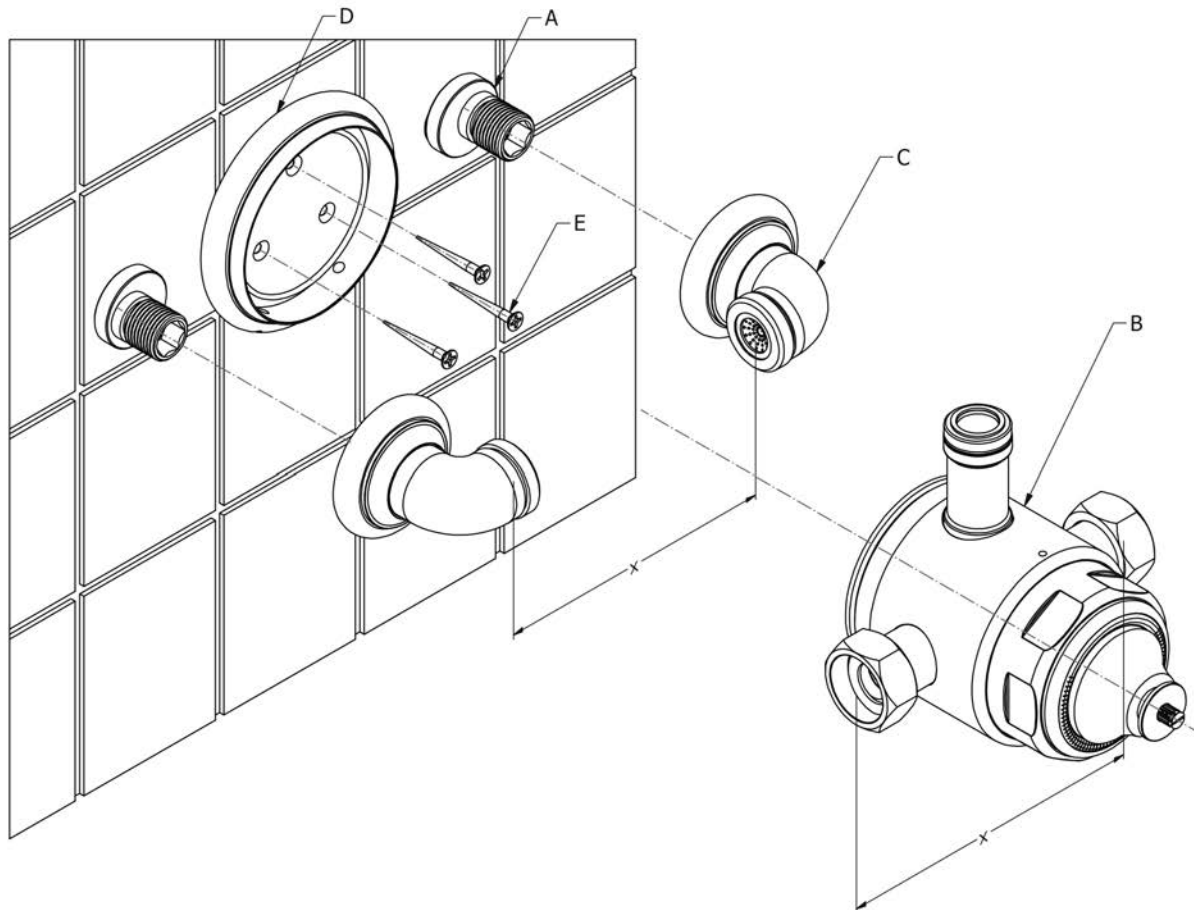


# Claybrook.



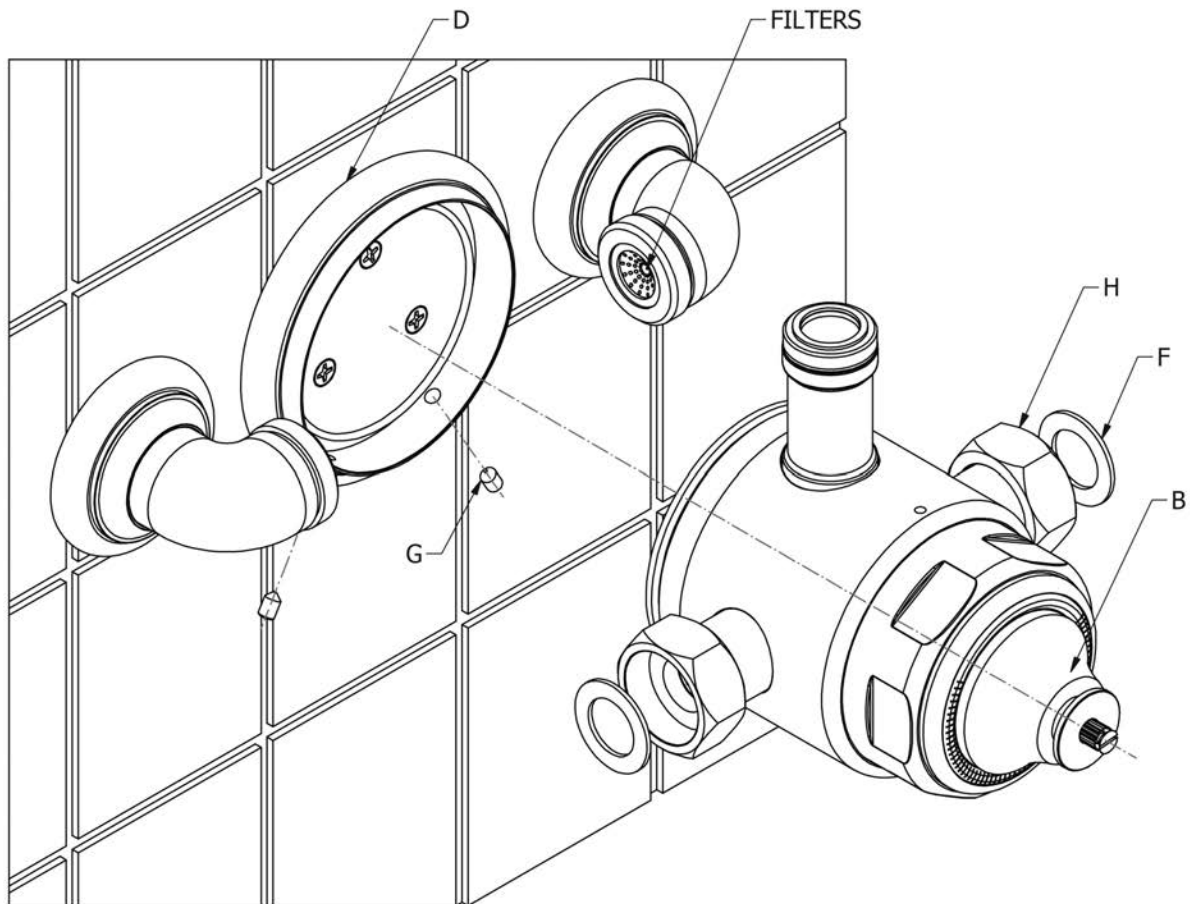
1. Apply a suitable sealant tape to the threads of the offset connectors (A) and proceed to assemble the offset connectors (A) into flush female fittings (not supplied)

# Claybrook.



2. Adjust the position of the offset connectors (A) as required to allow fitting of thermostatic valve (B) and elbows (C) - See dimension (X)
3. Screw the elbows (C) onto the offset connectors (A)
4. Set the valve body escutcheon (D) into the required position, ensuring it is in line with the elbows (C), then mark & drill screw holes
5. Insert wall plugs to drilled holes and fix the valve body escutcheon (D) into position using screws (E) provided.
6. It is essential that the valve body is used to ensure correct positioning, taking care not to damage its surface finish in the process.

# Claybrook.



7. Push the thermostatic valve (B) between the elbows (C) and into the valve body escutcheon (D), ensuring the rubber washers (F) are captivated.
8. Secure thermostatic valve (B) to escutcheon (D) with two grub screws (G) in the escutcheon using Allen key provided.
9. Using a suitable spanner tighten the captive nuts (H), use a cloth to protect the surface finish of the captive nuts (H).

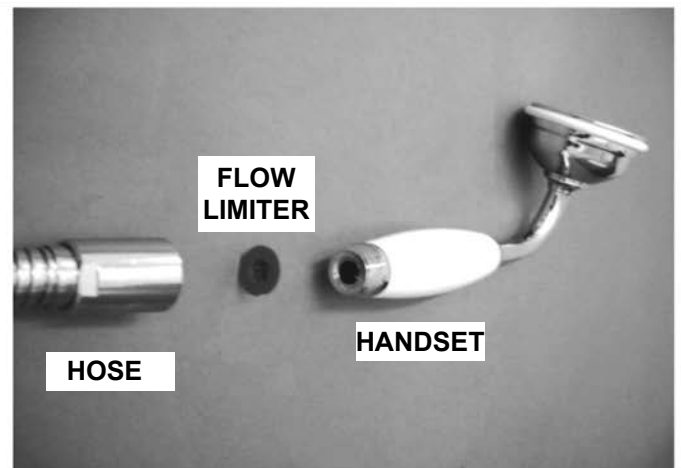


# Claybrook.

## ASSEMBLE HAND SET DIRECT TO SHOWER HOSE

**Insert flow limiter into hose connector & screw hand set to hose connector .**

**PTFE tape may needed to be placed around thread of hand set to ensure alignment when assembled.**





# Claybrook.

## **CARE & MAINTENANCE**

### **VCS909/VCS254 HAND SHOWER/SHOWER ROSE**

**Your shower head/hand shower should be cleaned on a regular basis. Allowing lime scale/debris build up will impede the shower head/hand shower effectiveness. With the "easy clean" rose the cleaning procedure entails simply rubbing the palm of one's hand across the rubber nozzles, freeing any lime scale/debris, this can then be cleaned off by using a damp cloth.**

**Care should be taken when cleaning the "easy clean" rose as excessive force may damage the rubber nozzles.**

**With a standard shower head the water dispersal holes should be cleaned by gently clearing the holes, a suitably sized needle will be ideal for this procedure and allow the lime scale/debris to be dislodged with ease, before then cleaned off by using a damp cloth. In hard water areas it will be necessary to carry out these procedures on a regular basis but will mean that this product will operate at its optimum level for many years.**



# Claybrook.

## IMPORTANT NOTES

1. Installation should be carried out by a competent engineer, in accordance with water regulations.
2. Before installation, ensure supply pipes are flushed clean. Debris or loose particles will affect the efficiency of the ceramic disc cartridge.
3. For mixer taps, it is recommended that hot & cold pressures are equally balanced.
4. To help maintain the high quality finish, please clean with a soft damp cloth. Do not use abrasive polish or cleaners. Stains may be removed using undiluted washing up liquid.
5. Ceramic cartridges in hard water areas. To prolong the lifespan and reduce servicing periods of your tap we recommend that a suitable water softener be fitted. Consult your installer/designer for details.
6. Please note that as with all tap and shower ware it will be necessary from time to time for the products to be serviced, this should be carried out by a qualified Plumbing Engineer.

**Claybrook  
123 Curtain Road  
Shoreditch  
London  
EC2A 3BX**

**Tel: 020 7052 1555**

8-40113-CS