



Claybrook.

PRODUCT DATA SHEET

SHO-CON-3OT-RPT (VCS606-IS) Rough parts for concealed thermostatic valve 3 outlet



REFER TO FITTING DEPTHS PRIOR TO
INSTALLATION



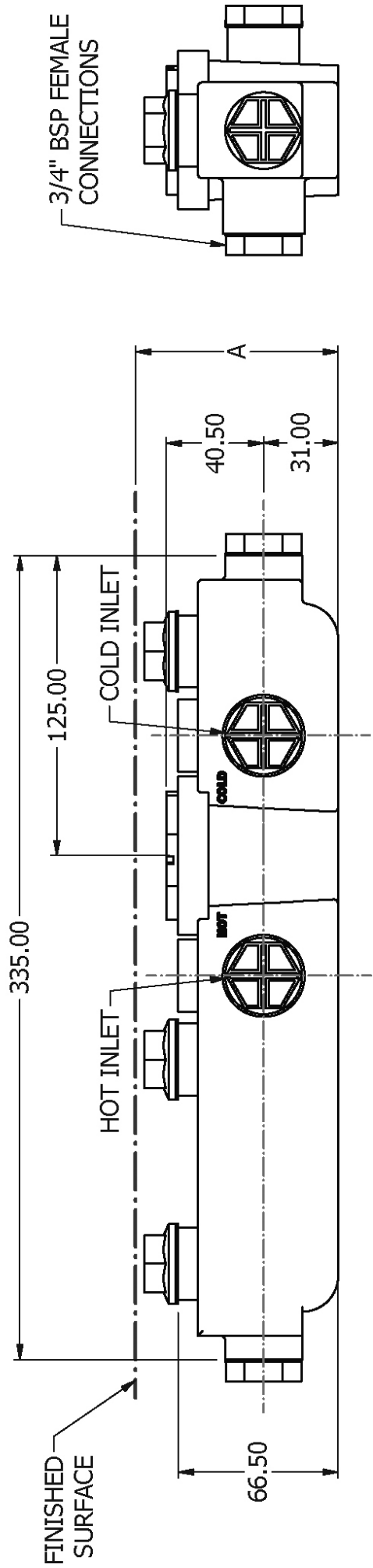
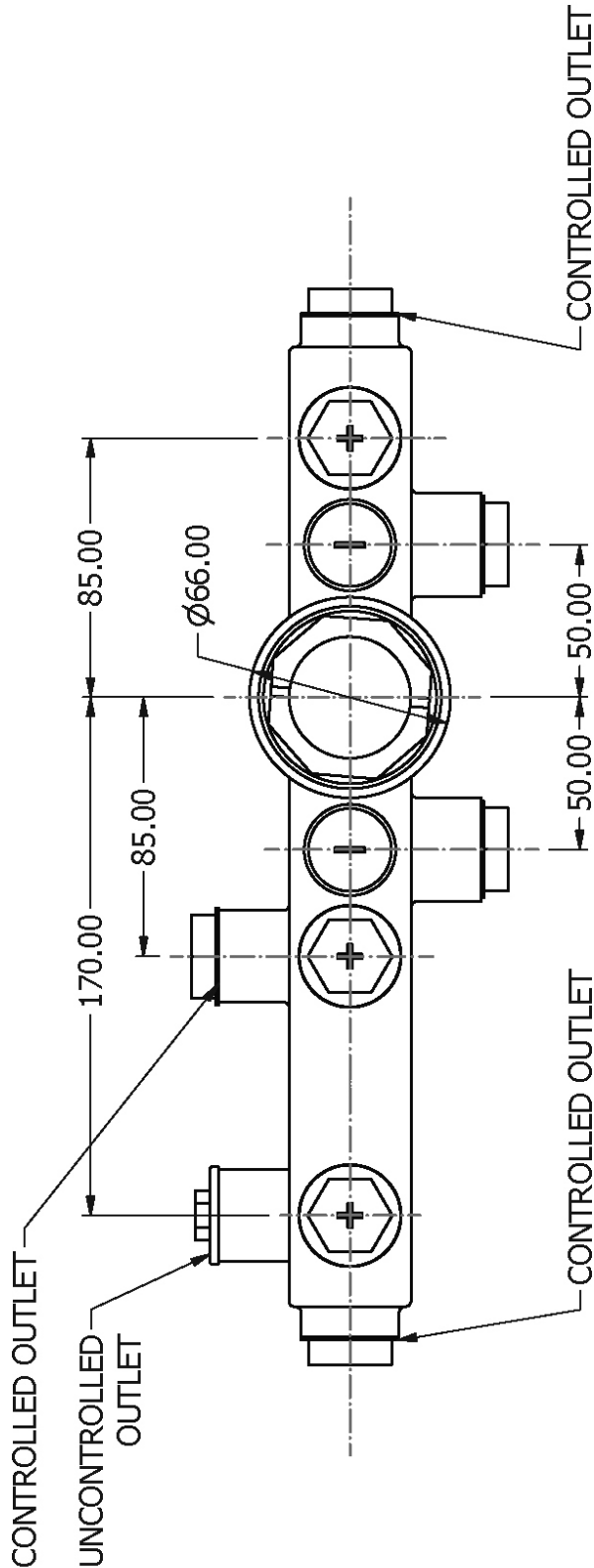
Claybrook.

Dimension “A”				
<u>Trim Set</u>		<u>Range from Valve to base (mm)</u>		
Brooklyn	VCS206-T..	74.00	to	86.00
Belmont	VCS606-T..	72.00	to	84.00

Dimension Key

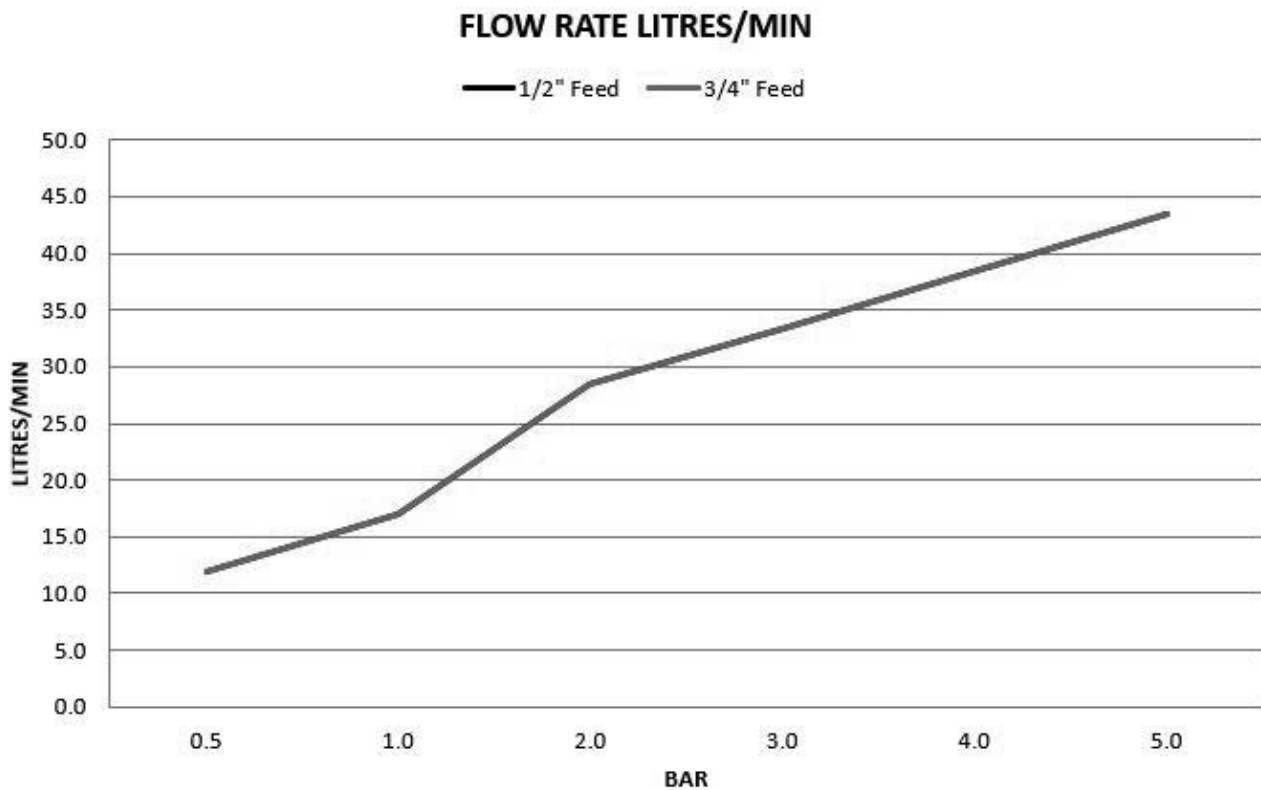


Note: For the correct installation depths ("A") please see table on page 2 as they may differ per trim set.





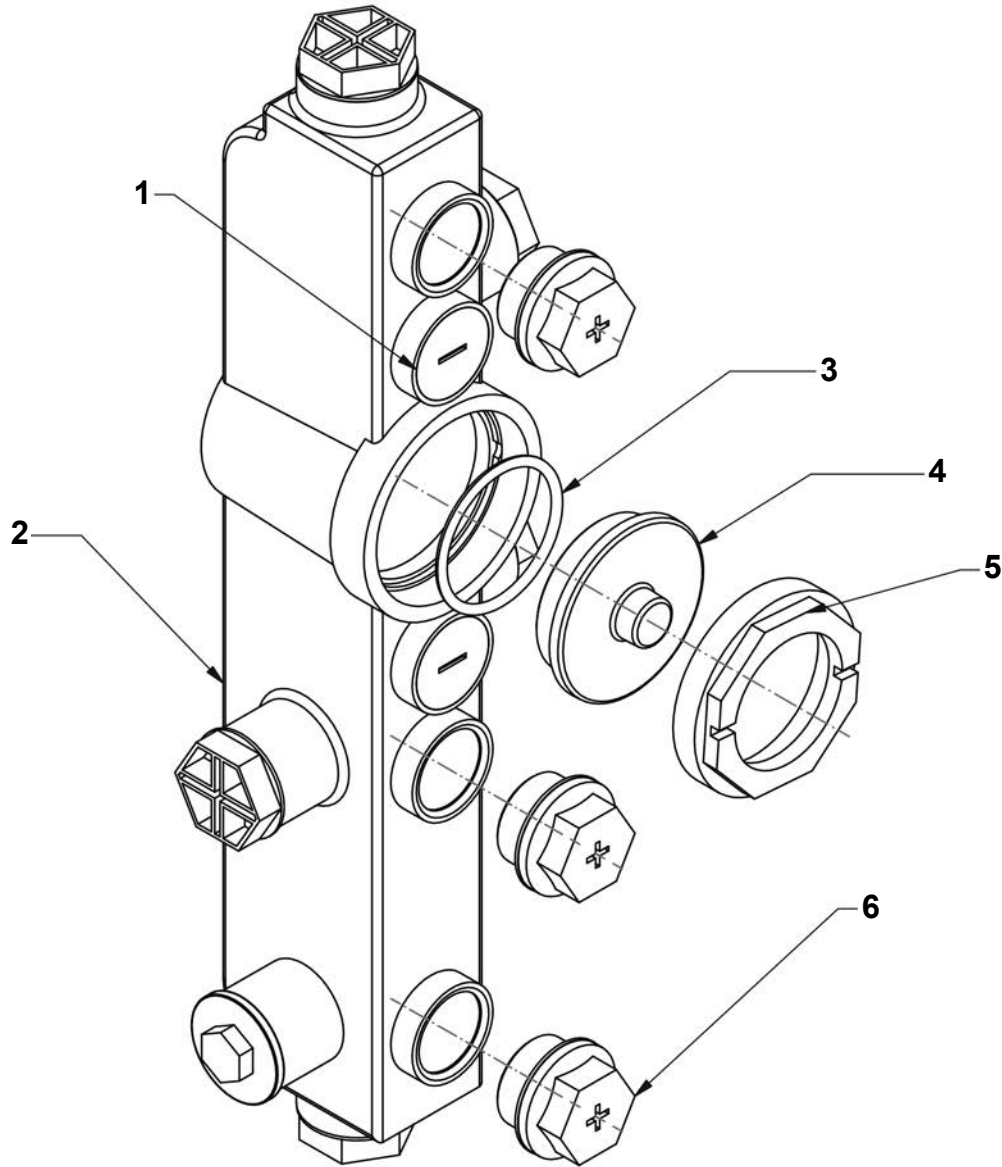
Claybrook.



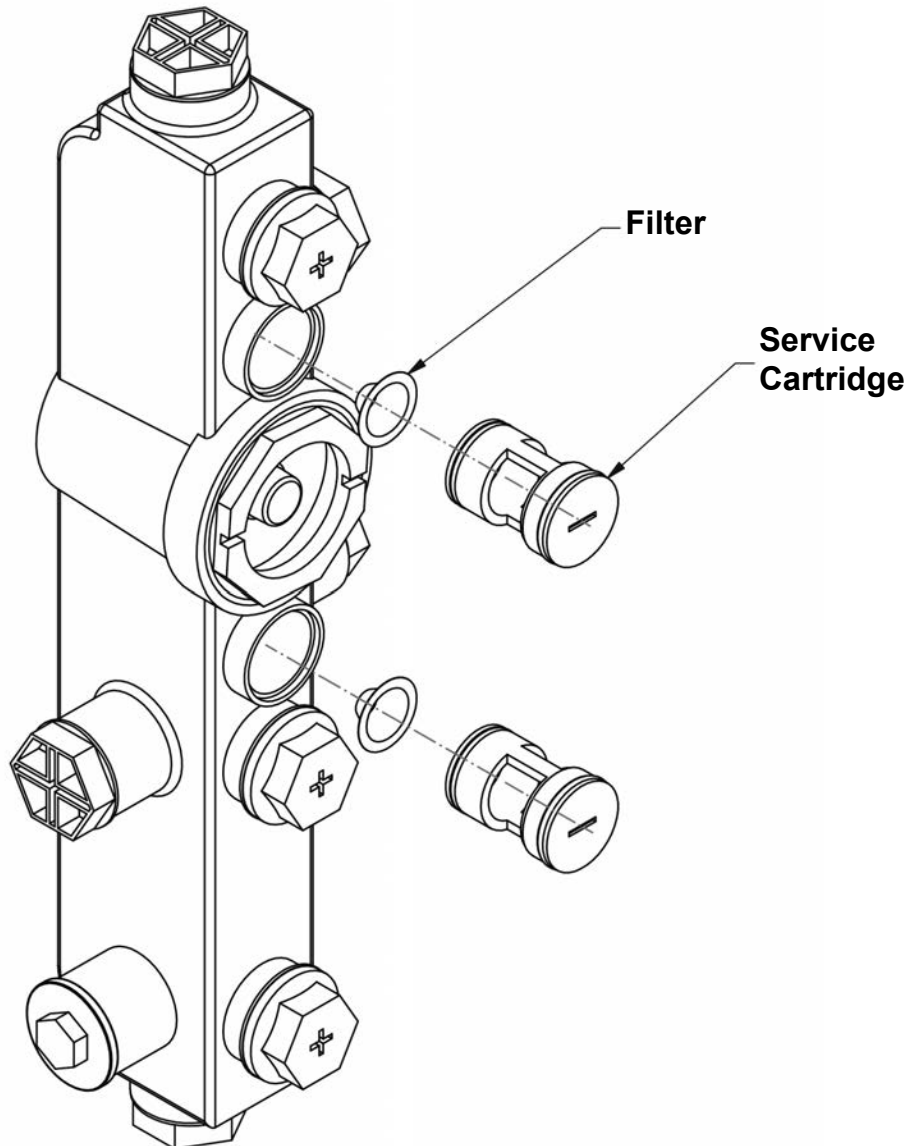
The flow rate data provided in this document is indicative of each product and is given in an open outlet condition. Installation design, external connections and fittings not supplied may affect the data provided.



Claybrook.



Item	Part No.	Description
1	-	None Return Valve (x2)
2	-	Body
3	-	40mm x 3mm O-Ring (x3)
4	-	Blanking Cap
5	-	Locking Nut
6	-	0.75 BSP Blanking Plug (x3)



1. **Ensuring that the fitting depths at the front of this booklet are met for the appropriate trim set**, install thermo valve to pipe-work in required position.
2. Before flushing the system remove the hot & cold inlet filters, unscrewing the service cartridges, remove filters & replace service cartridges to valve securely.
3. Ensure system flushing is carried out below 2 BAR.
4. After flushing the system replace filters and service cartridges to valve.
5. To pressure test the system, remove the Blanking caps (Items 2 & 4) and replace with cartridges (supplied with the trim. Refer to trim fitting instructions).



Claybrook.

IMPORTANT NOTES

1. Installation should be carried out by a competent engineer, in accordance with water regulations.
2. Before installation, ensure supply pipes are flushed clean. Debris or loose particles will affect the efficiency of the ceramic disc cartridge.
3. For mixer taps, it is recommended that hot & cold pressures are equally balanced.
4. To help maintain the high quality finish, please clean with a soft damp cloth. Do not use abrasive polish or cleaners. Stains may be removed using undiluted washing up liquid.
5. Ceramic cartridges in hard water areas. To prolong the lifespan and reduce servicing periods of your tap we recommend that a suitable water softener be fitted. Consult your installer/designer for details.
6. Please note that as with all tap and shower ware it will be necessary from time to time for the products to be serviced, this should be carried out by a qualified Plumbing Engineer.

**Claybrook
123 Curtain Road
Shoreditch
London
EC2A 3BX**

Tel: 020 7052 1555

8-40390-IS-CS