



Claybrook.

PRODUCT DATA SHEET

TAP-BEL-BAS-3HW (VCS6K17) 3 Hole wall mounted basin filler tap lever - trim set



- Available Control Options -



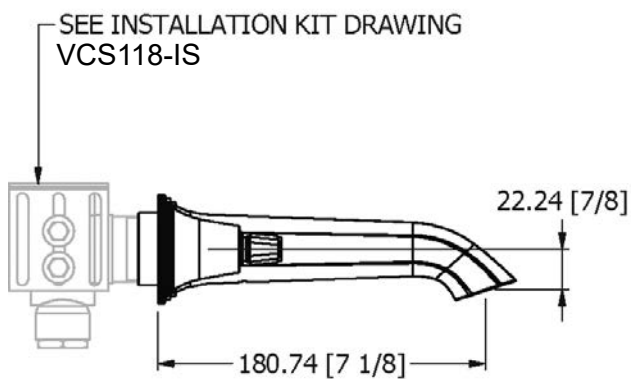
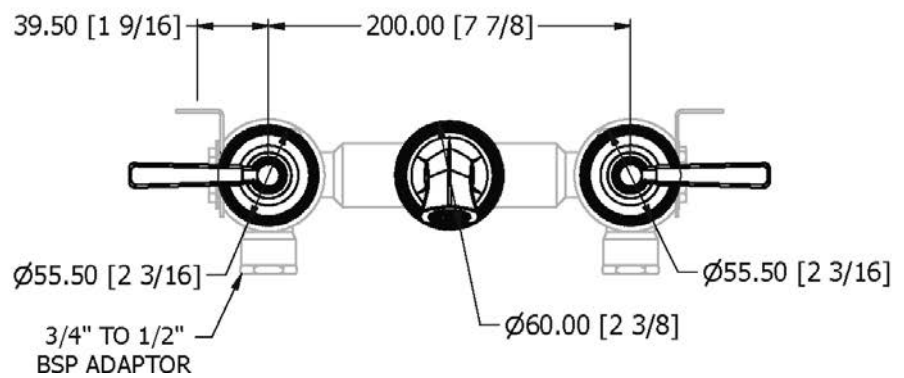
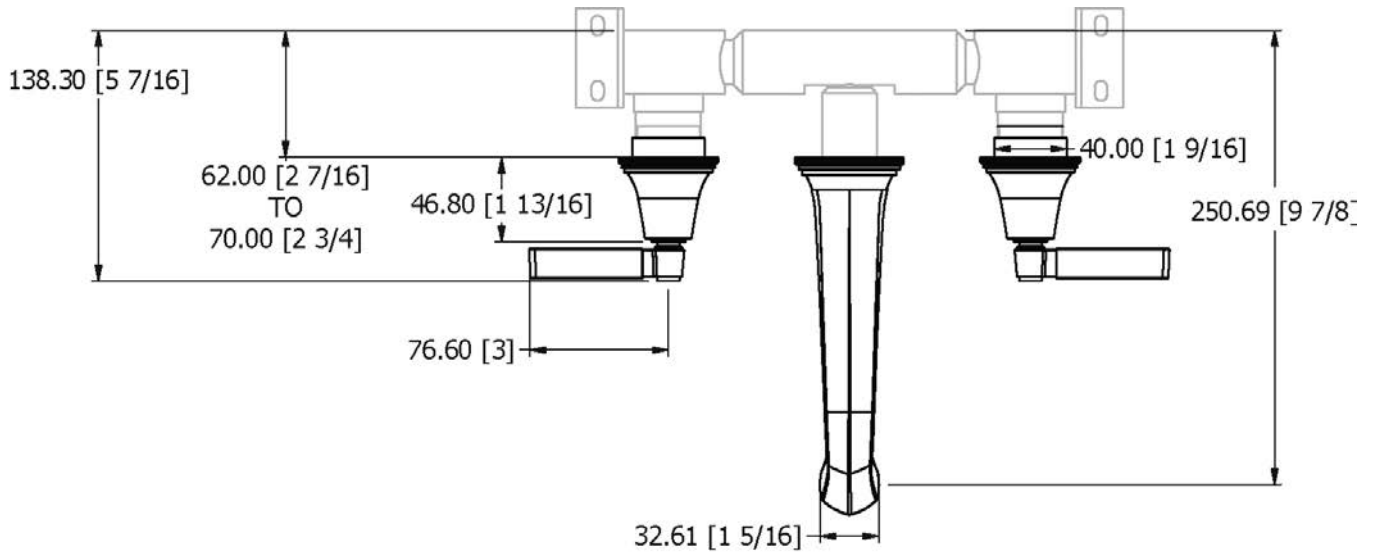
CHML



PNBL

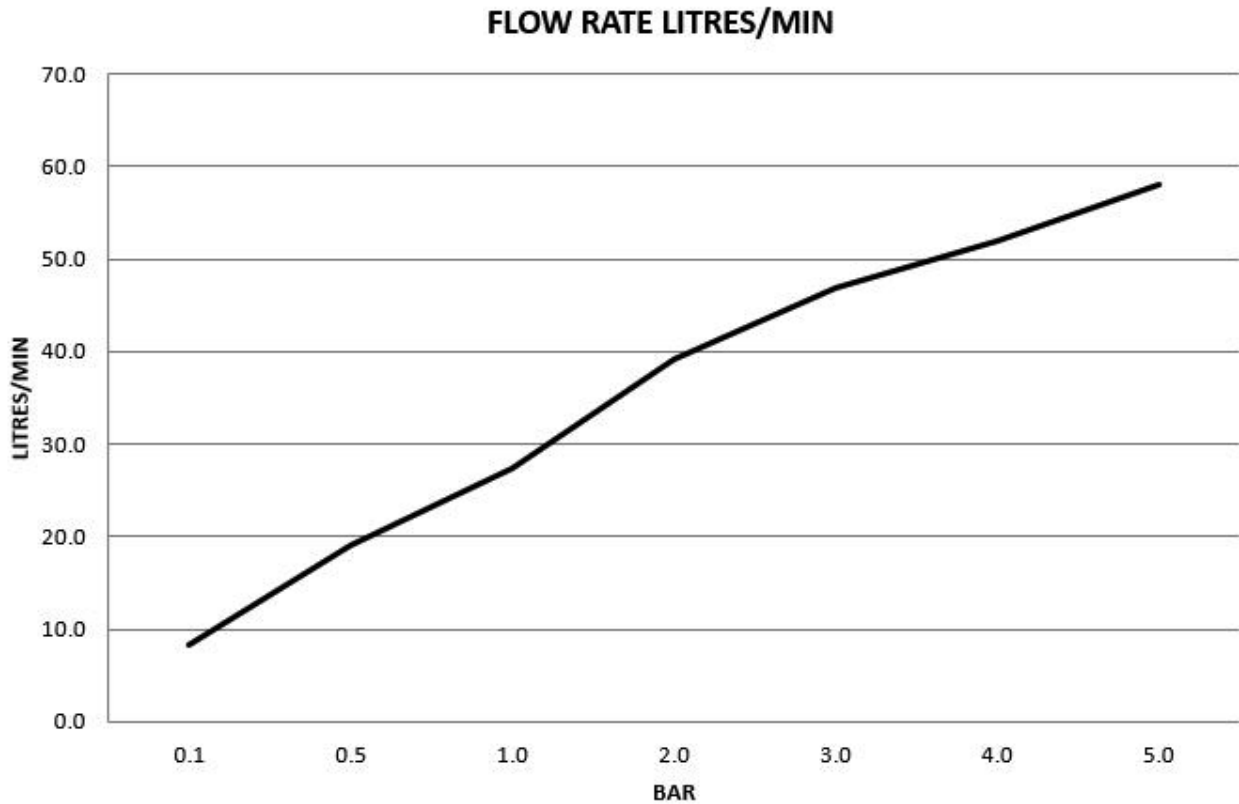


Claybrook.





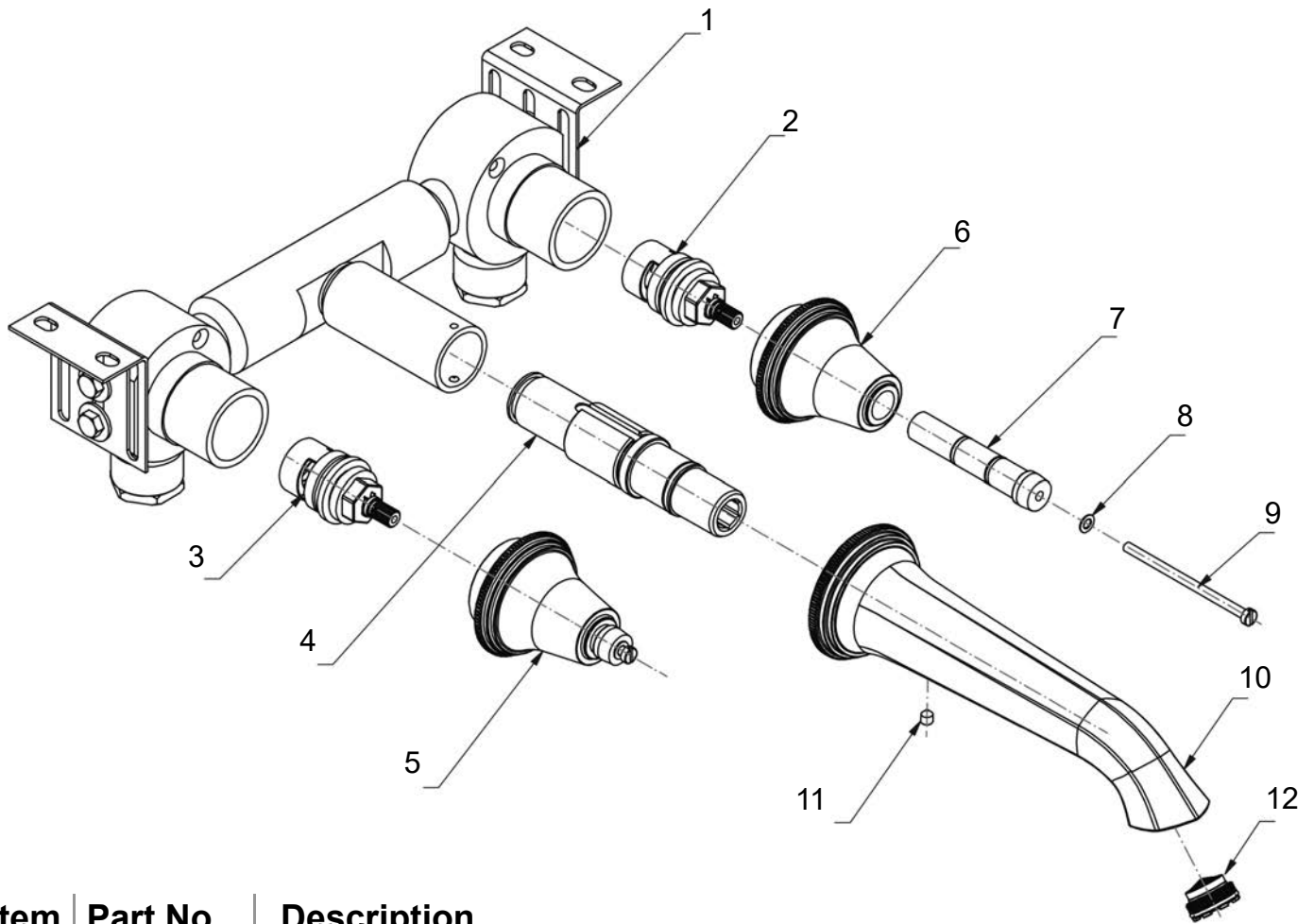
Claybrook.



The flow rate data provided in this document is indicative of each product and is given in an open outlet condition. Installation design, external connections and fittings not supplied may affect the data provided.



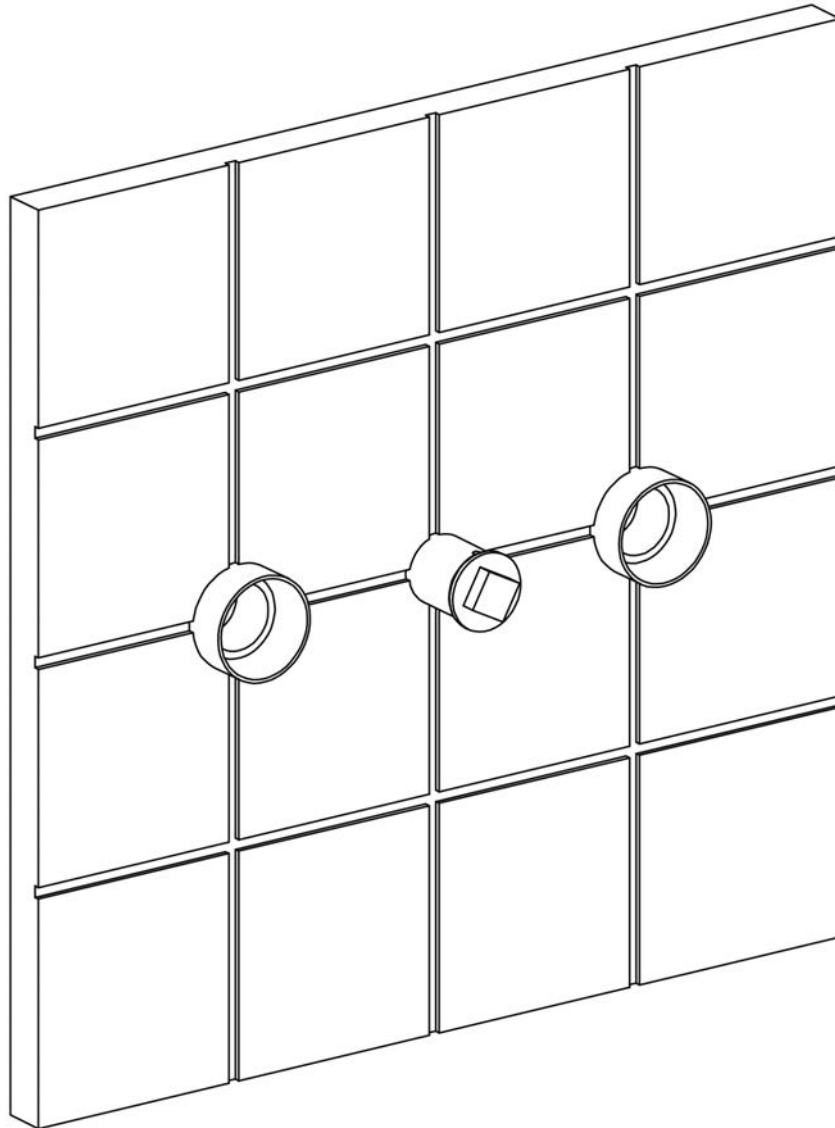
Claybrook.



Item	Part No.	Description
1	-	Installation Kit
2	-	CD Valve (Anti-Clockwise Closing)
3	-	CD Valve (Clockwise Closing)
4	-	Spout Shank
5	-	Side Valve Body
6	-	Side Valve Body
7	-	Side Body Spindle
8	-	Washer
9	-	Screw
10	-	Grub Screw
11	-	Spout
12	-	Aerator

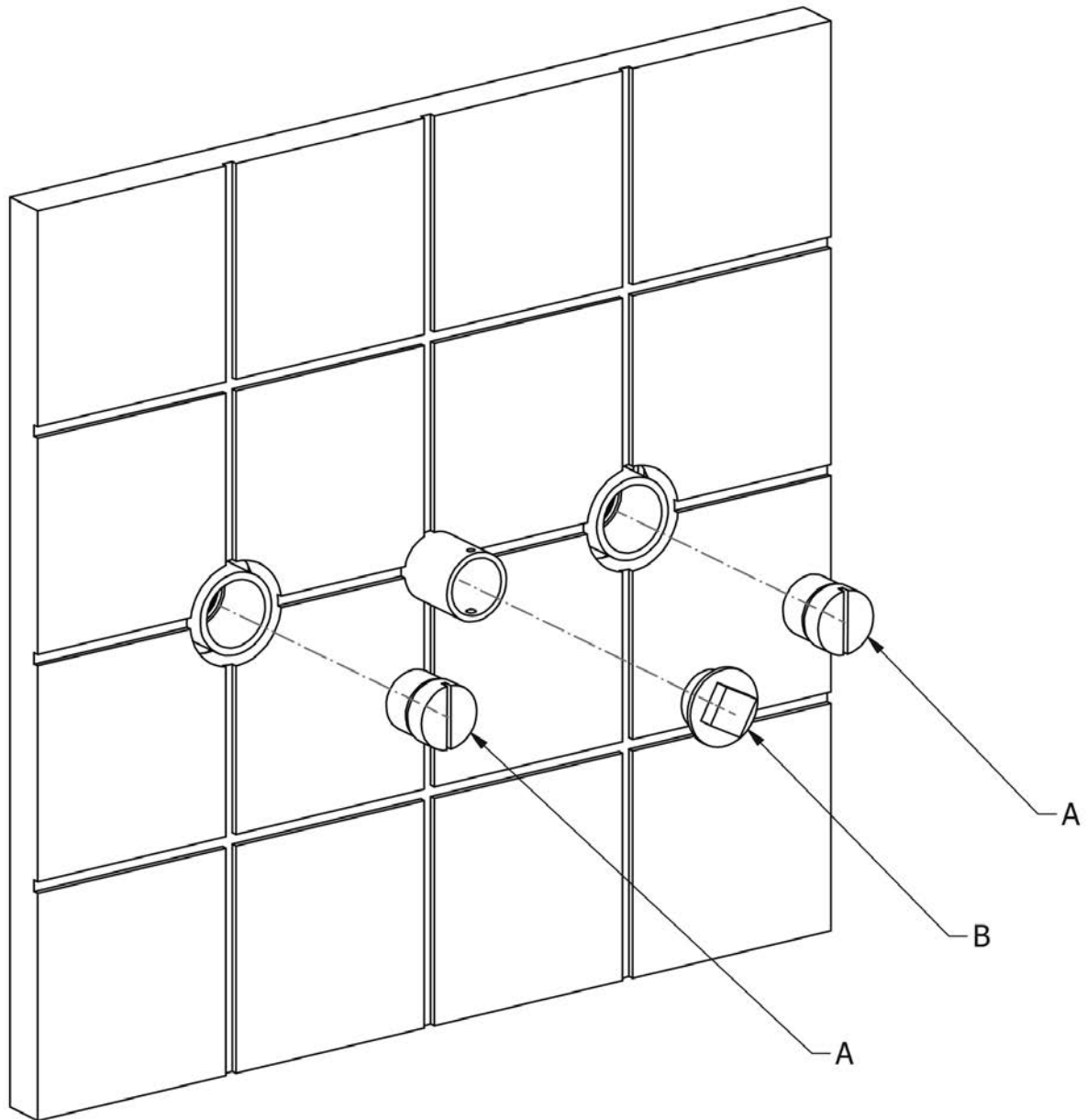


Claybrook.



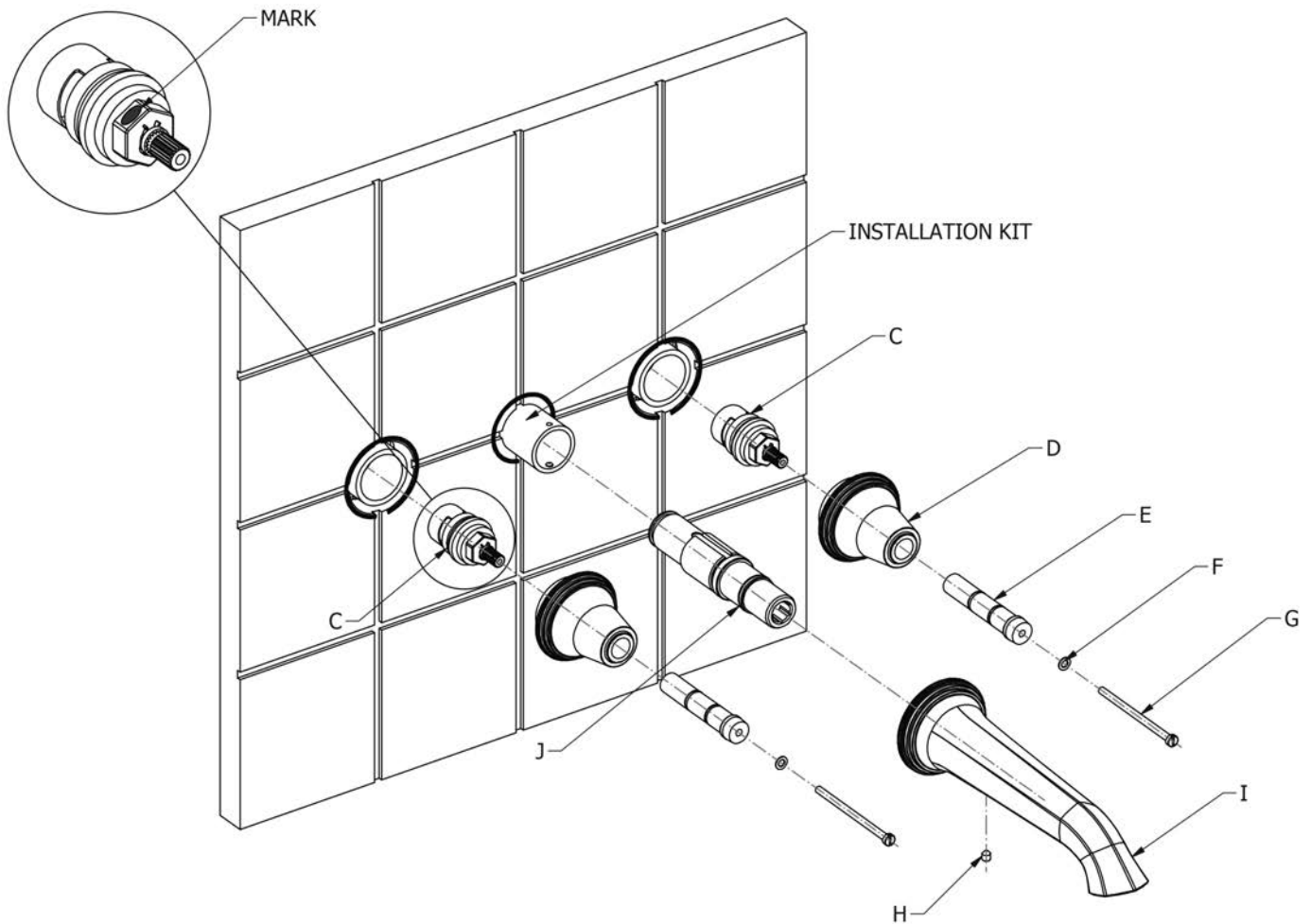
1. Install the finished surface, ensuring the finished surface is in accordance with the minimum and maximum installation depths shown on the drawings in the front of this booklet.
2. Remove the red thread covers.

Claybrook.



3. Ensure the supply to the installation system is isolated.
4. Remove side valve bungs (A) and spout outlet cap (B).

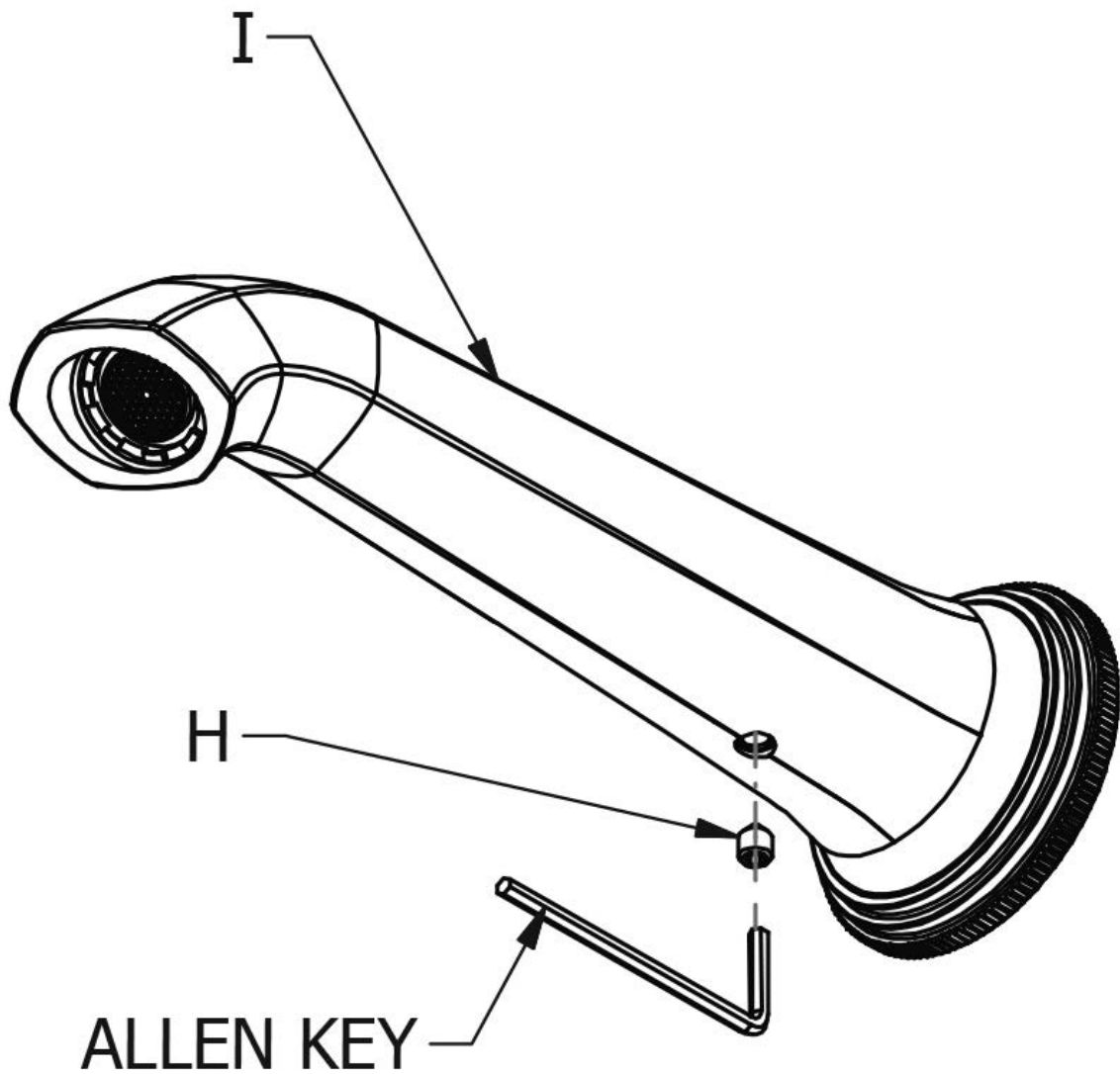
Claybrook.



4. Screw in CD valves (C) into the installation kit ensuring that the left CD valve has the mark as shown. Ensure valves are fully tightened.
5. Screw the side body (D) onto CD valves (C). Apply a suitable silicon sealant to the wall where the side body (D) will sit.
6. Screw spout tail (J) into the installation kit.
7. Slide spout assembly (I) onto spout tail (J). Apply a suitable silicon sealant to the wall where the spout assembly (I) will sit.

NOTE: Screws (G) and washers (F) are for securing desired handle option.

Claybrook.



8. Align spout assembly (I) and secure using grub screw (H) and an Allen key as shown. Ensure grub screw (H) is fully tightened.



Claybrook.

IMPORTANT NOTES

- 1. Installation should be carried out by a competent engineer, in accordance with water regulations.**
- 2. Before installation, ensure supply pipes are flushed clean. Debris or loose particles will affect the efficiency of the ceramic disc cartridge.**
- 3. For mixer taps, it is recommended that hot & cold pressures are equally balanced.**
- 4. To help maintain the high quality finish, please clean with a soft damp cloth. Do not use abrasive polish or cleaners. Stains may be removed using undiluted washing up liquid.**
- 5. Ceramic cartridges in hard water areas. To prolong the lifespan and reduce servicing periods of your tap we recommend that a suitable water softener be fitted. Consult your installer/designer for details.**
- 6. Please note that as with all tap and shower ware it will be necessary from time to time for the products to be serviced, this should be carried out by a qualified Plumbing Engineer.**

**Claybrook
123 Curtain Road
Shoreditch
London
EC2A 3BX**

Tel: 020 7052 1555

8-40307-CS