



Claybrook.

PRODUCT DATA SHEET

SHO-BEL-EXP-HDS (VCS6K6) Exposed 1/2
thermostatic shower set metal/black - 200mm
rose



Metal

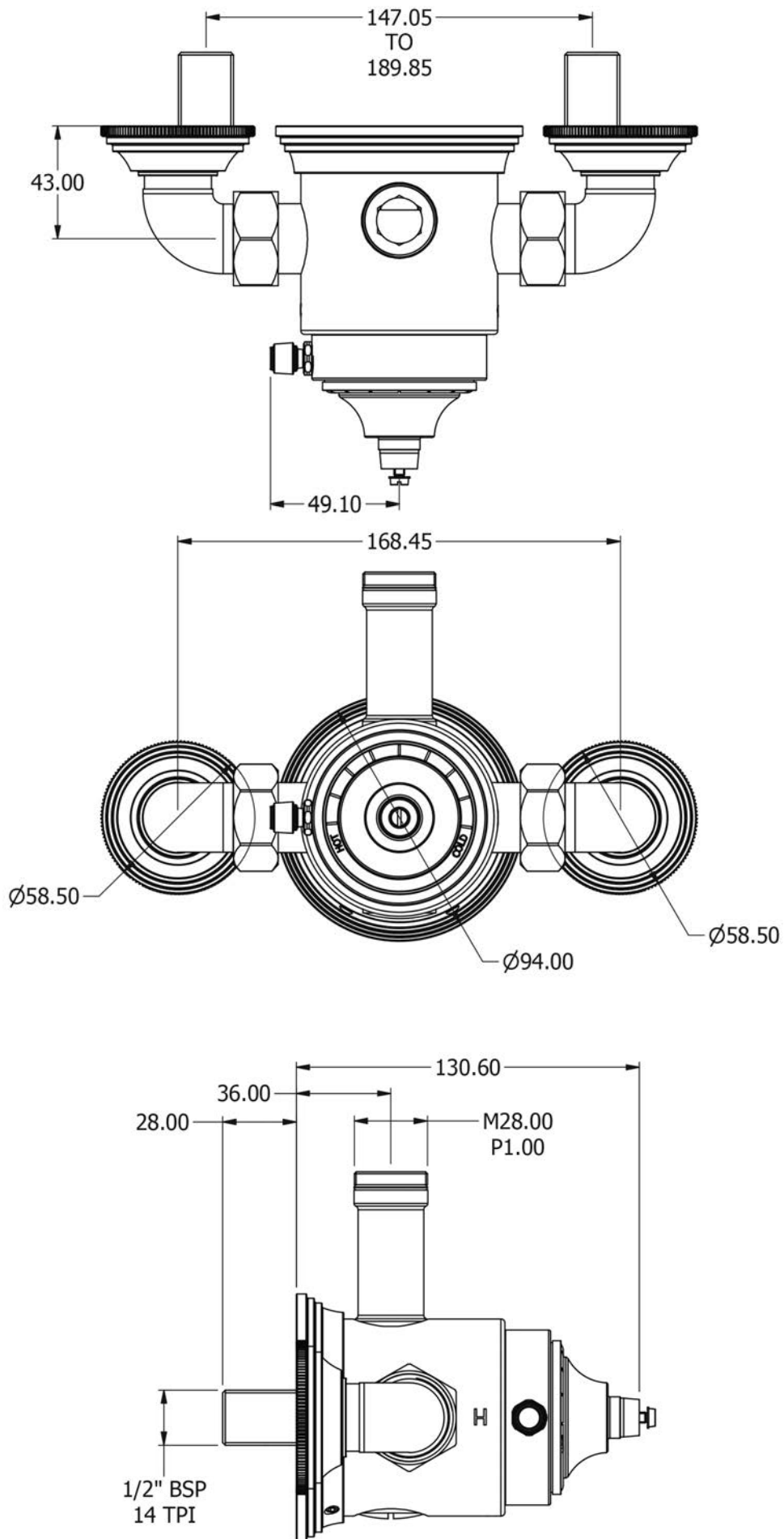


Black

Dimension Keys



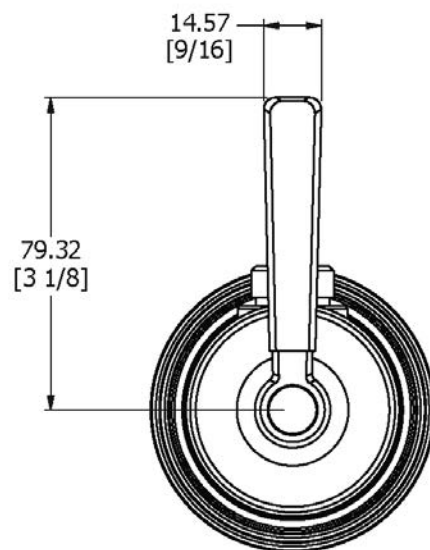
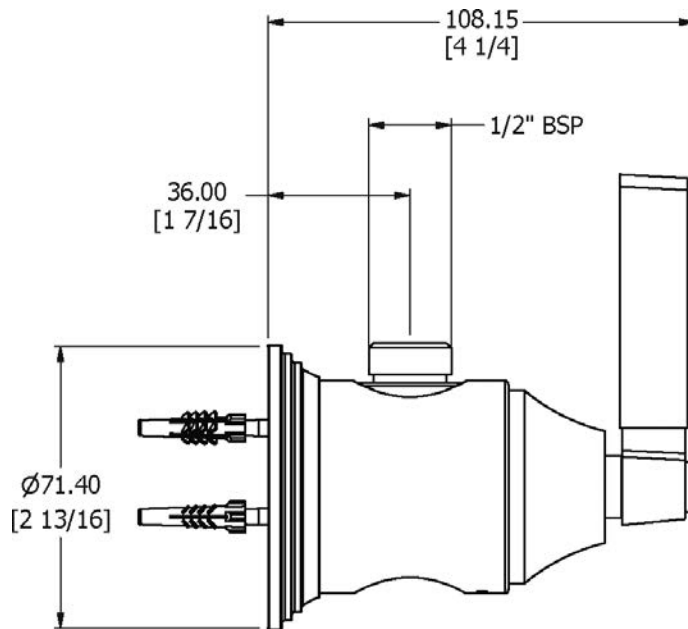
VCS640





Claybrook.

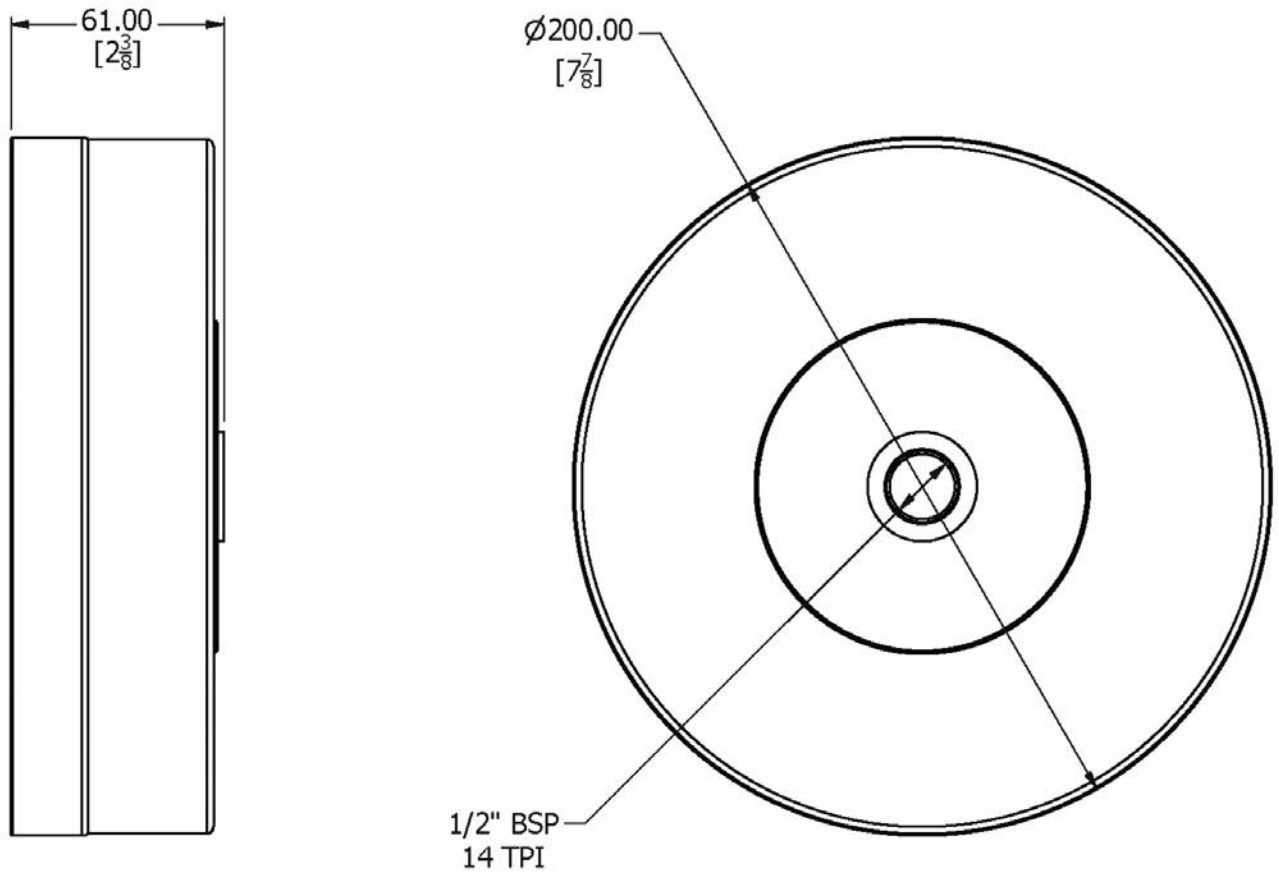
V641-TM / V641-TMB



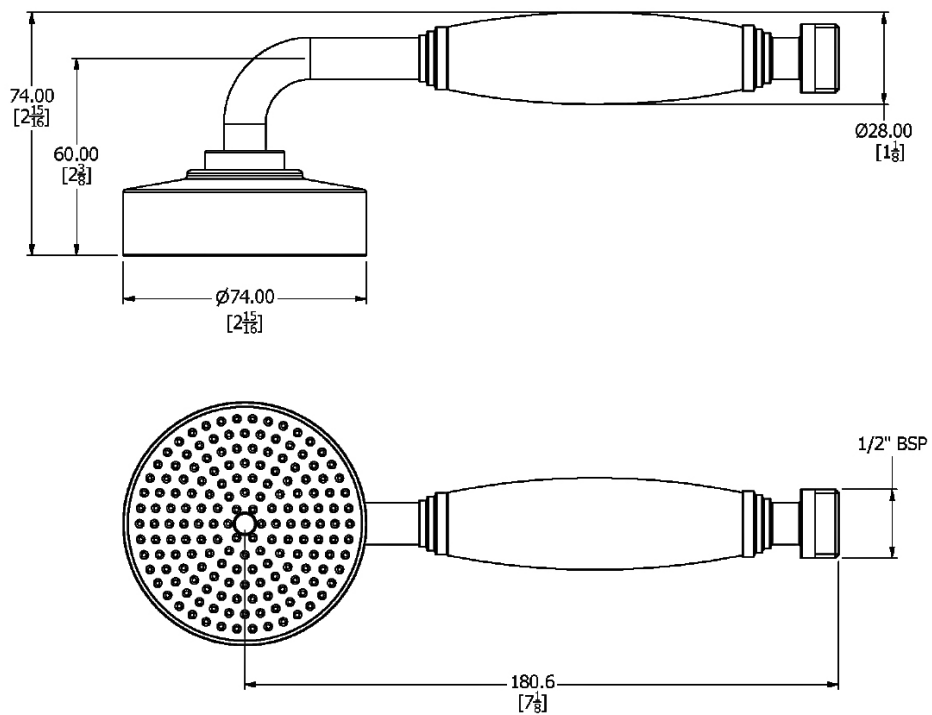


Claybrook.

VCS663



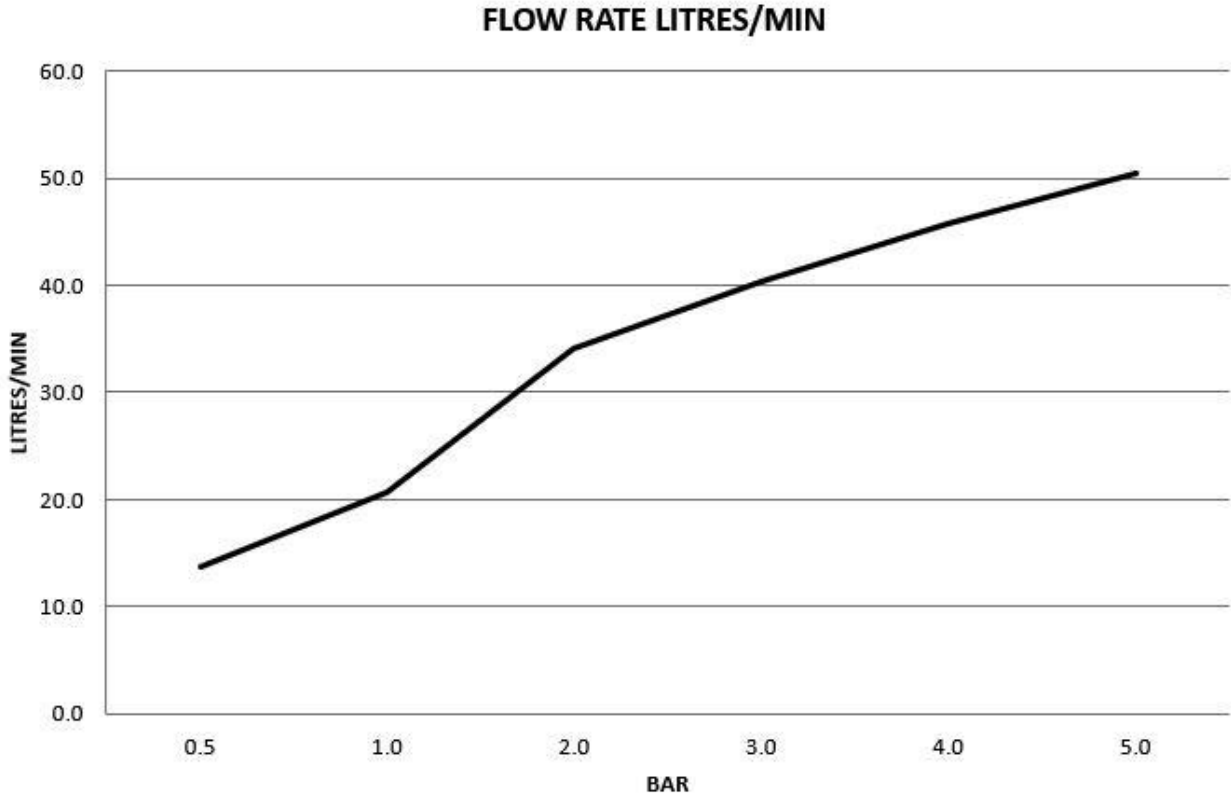
VCS654M/B



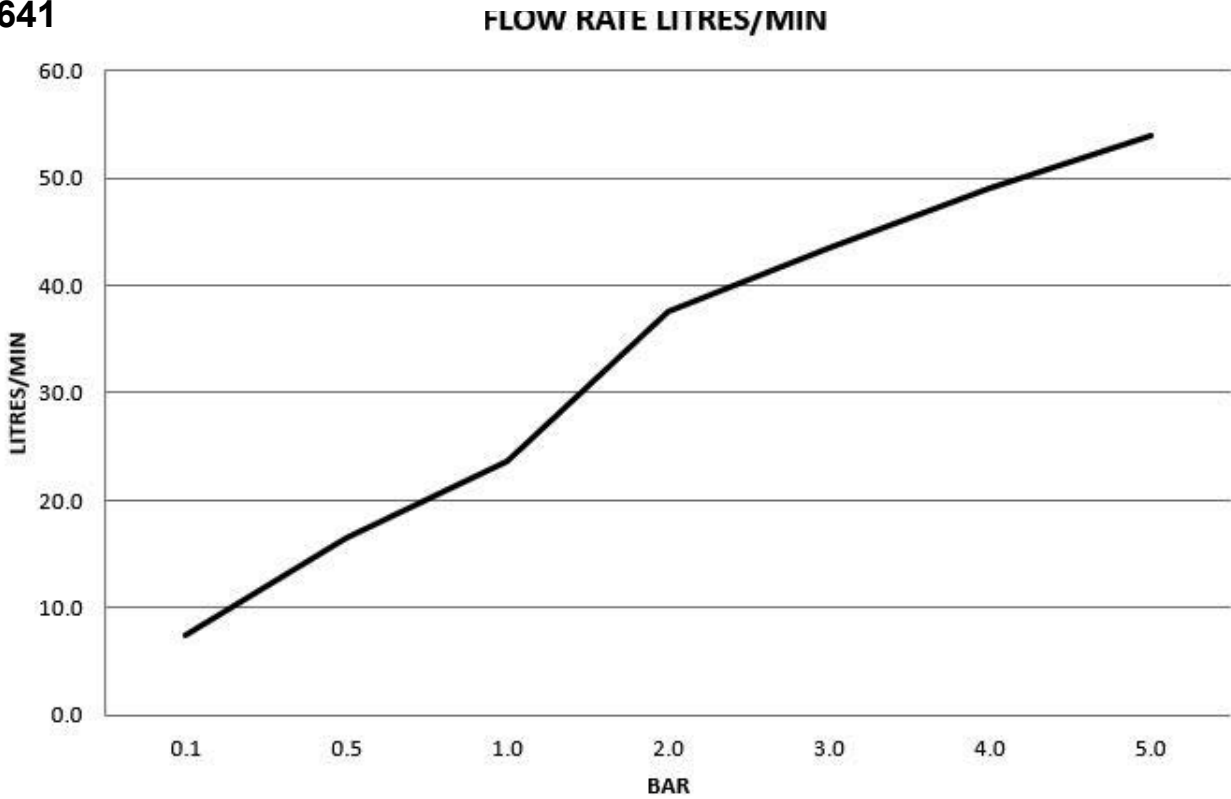


Claybrook.

VCS640



VCS641

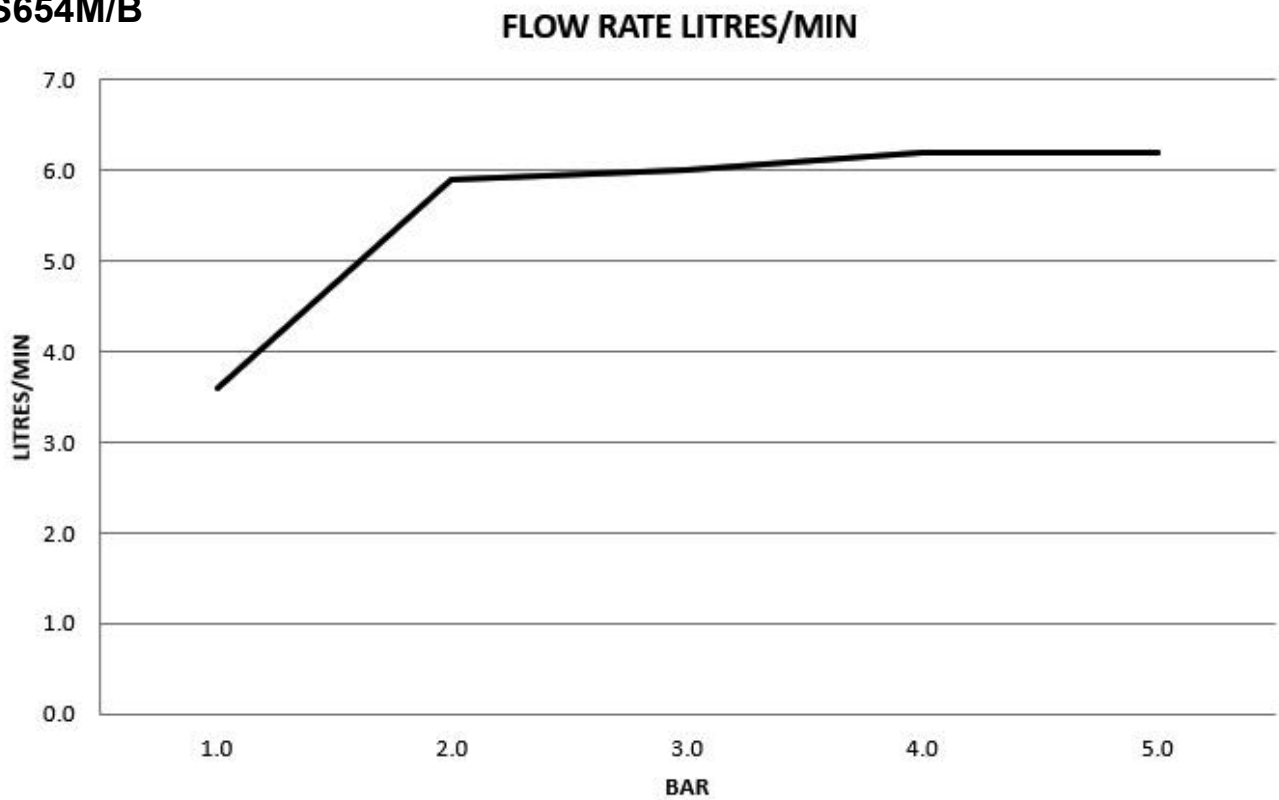


The flow rate data provided in this document is indicative of each product and is given in an open outlet condition. Installation design, external connections and fittings not supplied may affect the data provided.



Claybrook.

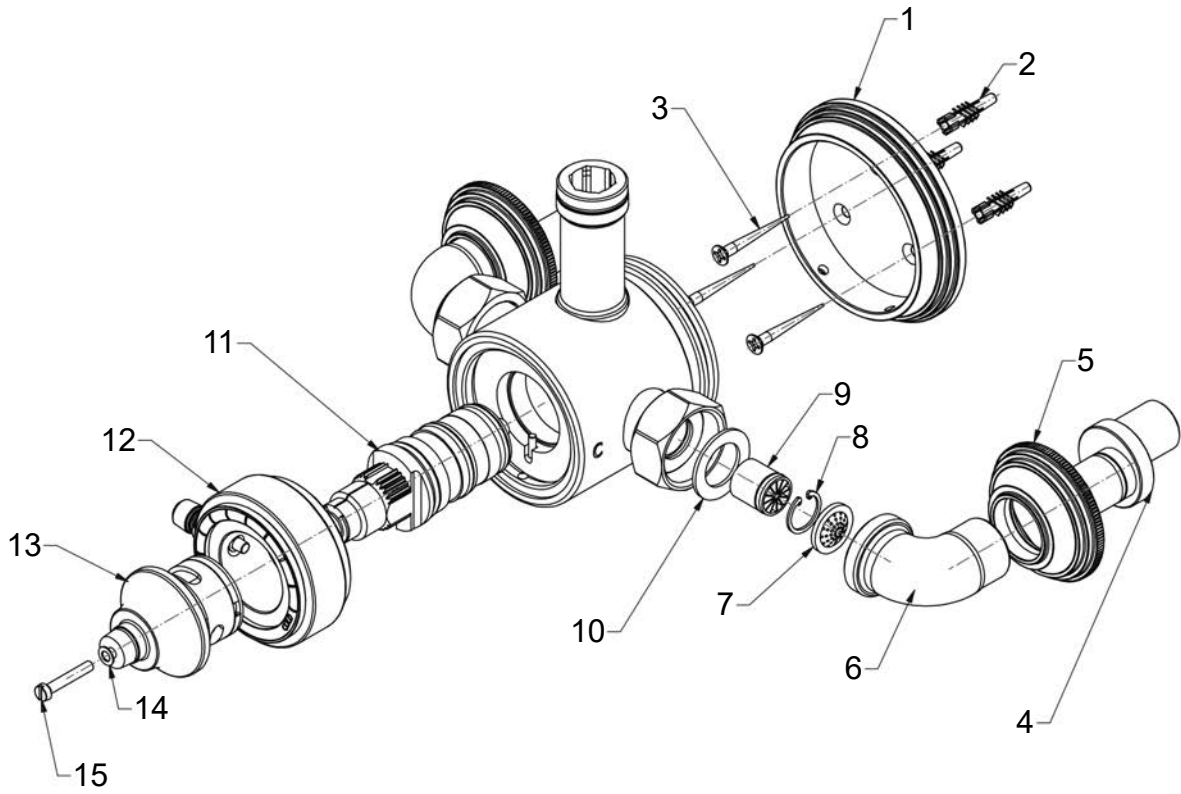
VCS654M/B



The flow rate data provided in this document is indicative of each product and is given in an open outlet condition. Installation design, external connections and fittings not supplied may affect the data provided.

Spares Information

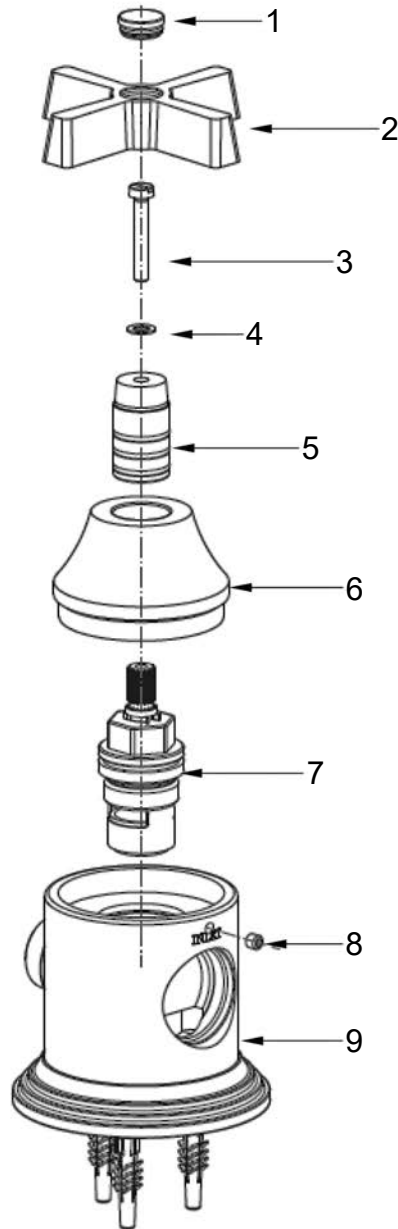
VCS640



Item	Part No.	Description
1	-	Escutcheon
2	-	Wall Plug
3	-	Cross Head Screws
4	-	Offset Connector
5	-	Elbow Escutcheon
6	-	Elbow
7	-	Filter
8	-	Circlip
9	-	Check Valve
10	-	Rubber Washer
11	-	Thermo Cartridge
12	-	Valve Cap
13	-	Valve Stem
14	-	Washer
15	-	Securing Screw

Spares Information

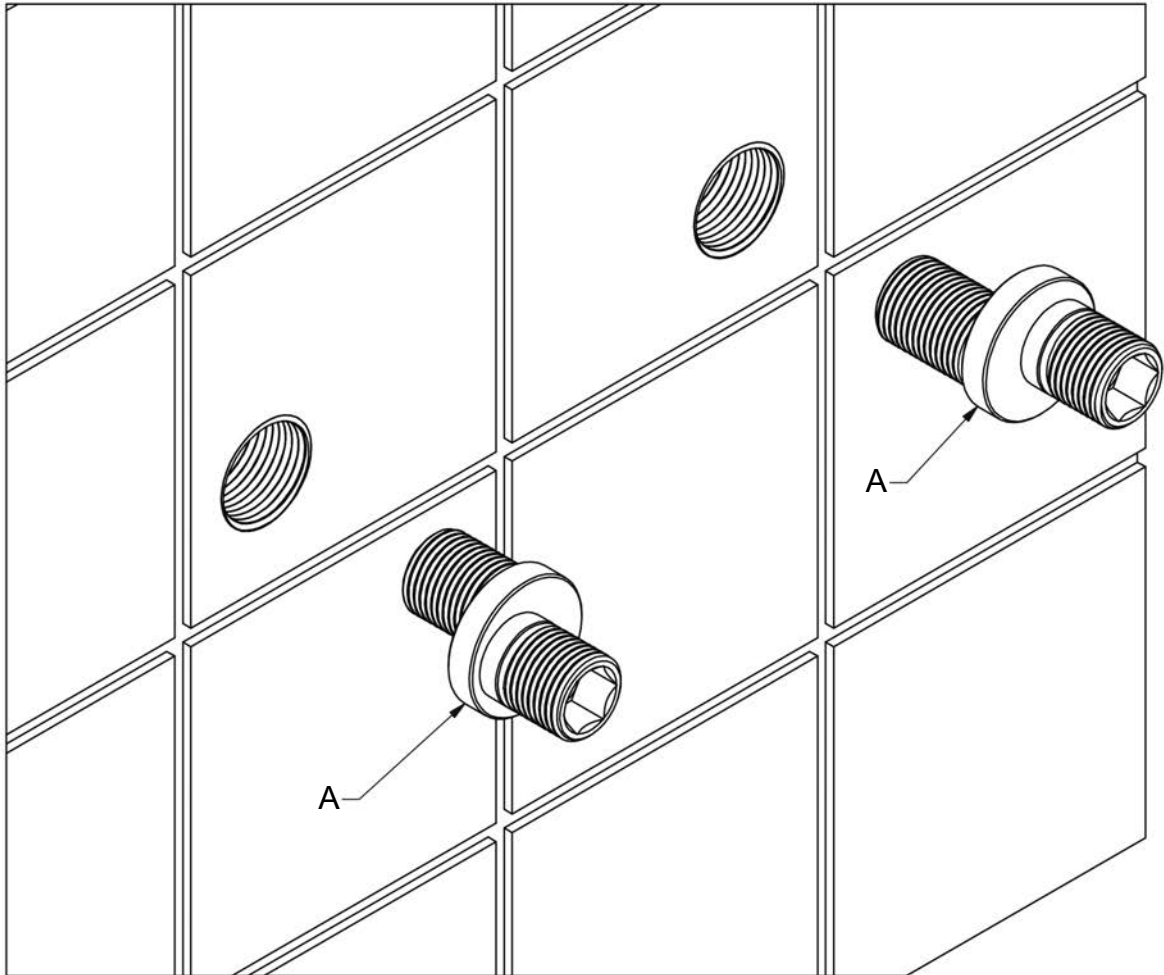
VCS641



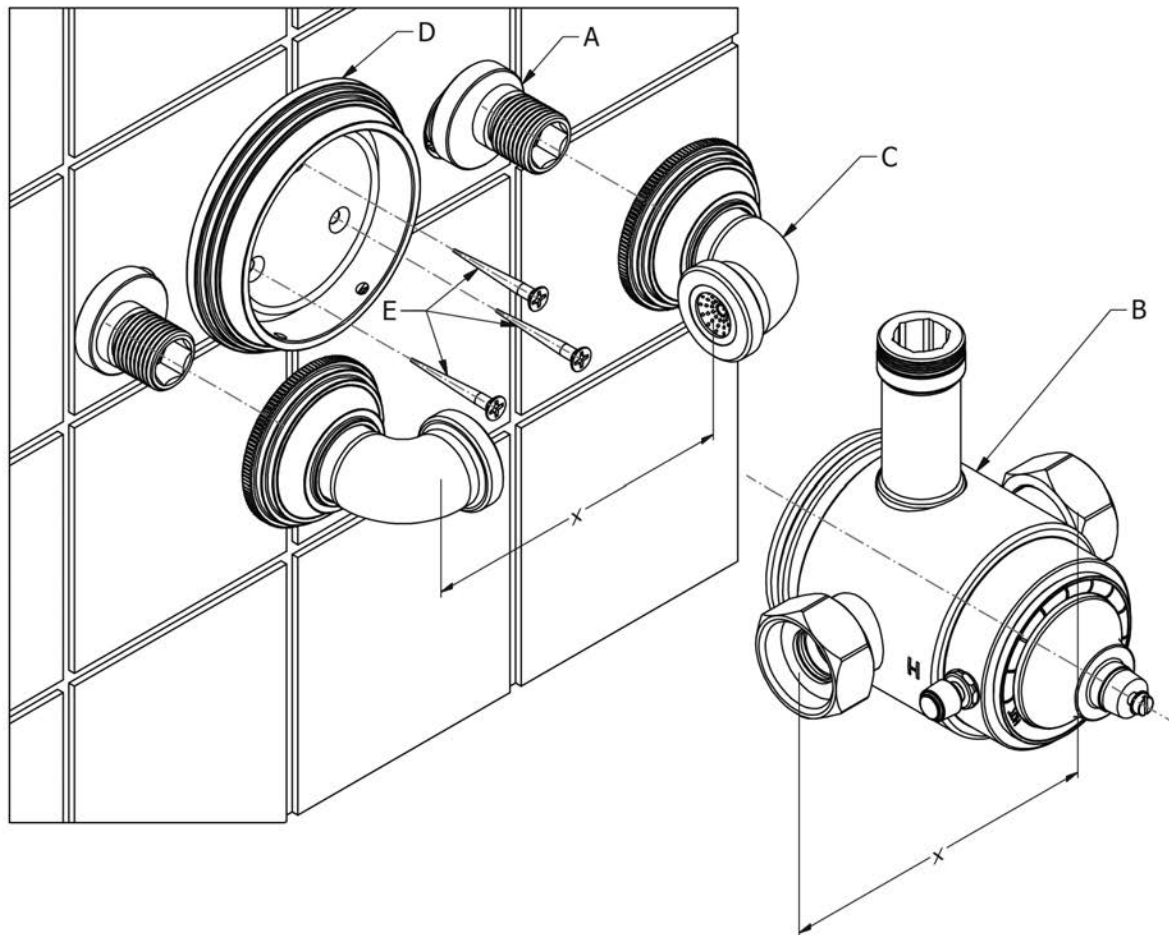
Item	Part No.	Description
1	-	Indice
2	-	Cross Top (or Lever)
3	-	Screw
4	-	Washer
5	-	Volume Stem
6	-	Body Cap
7	-	CD Valve
8	-	Grub Screw
9	-	Volume Control Body



Claybrook.



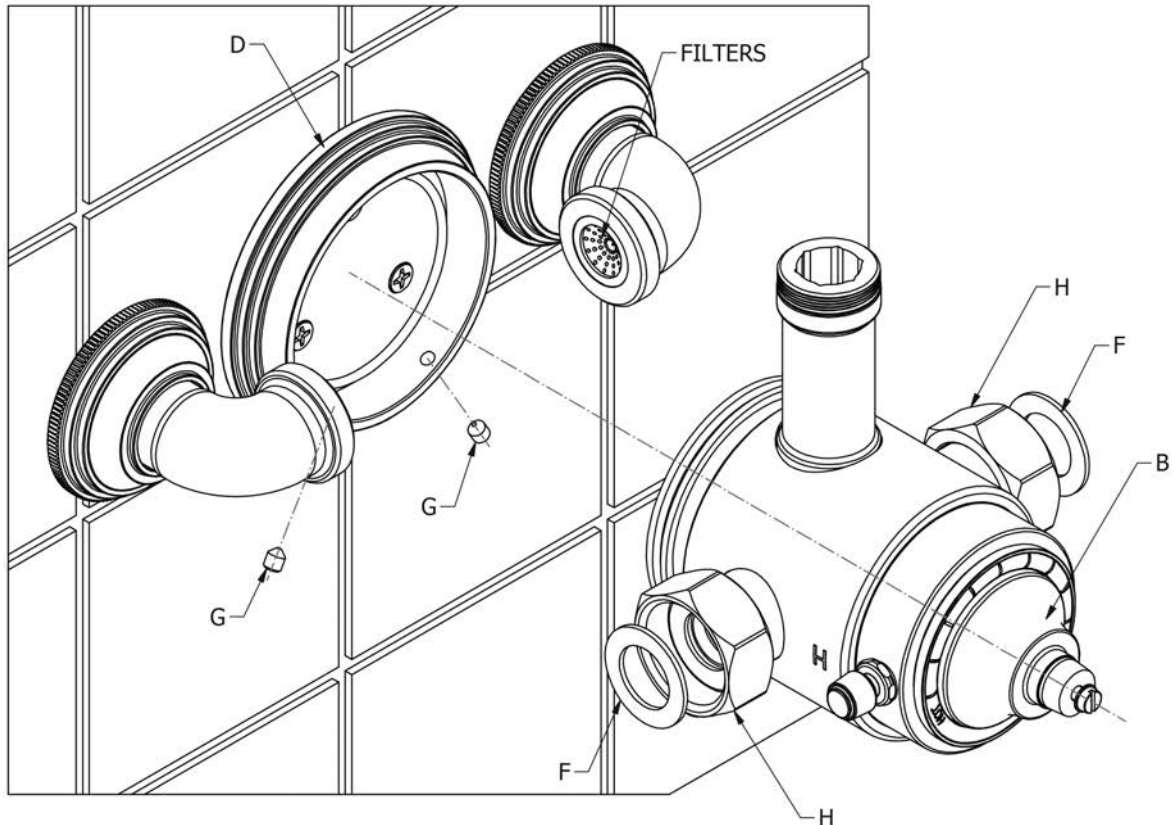
1. Apply a suitable sealant tape to the threads of the offset connectors (A) and proceed to assemble the offset connectors (A) into flush female fittings (not supplied)



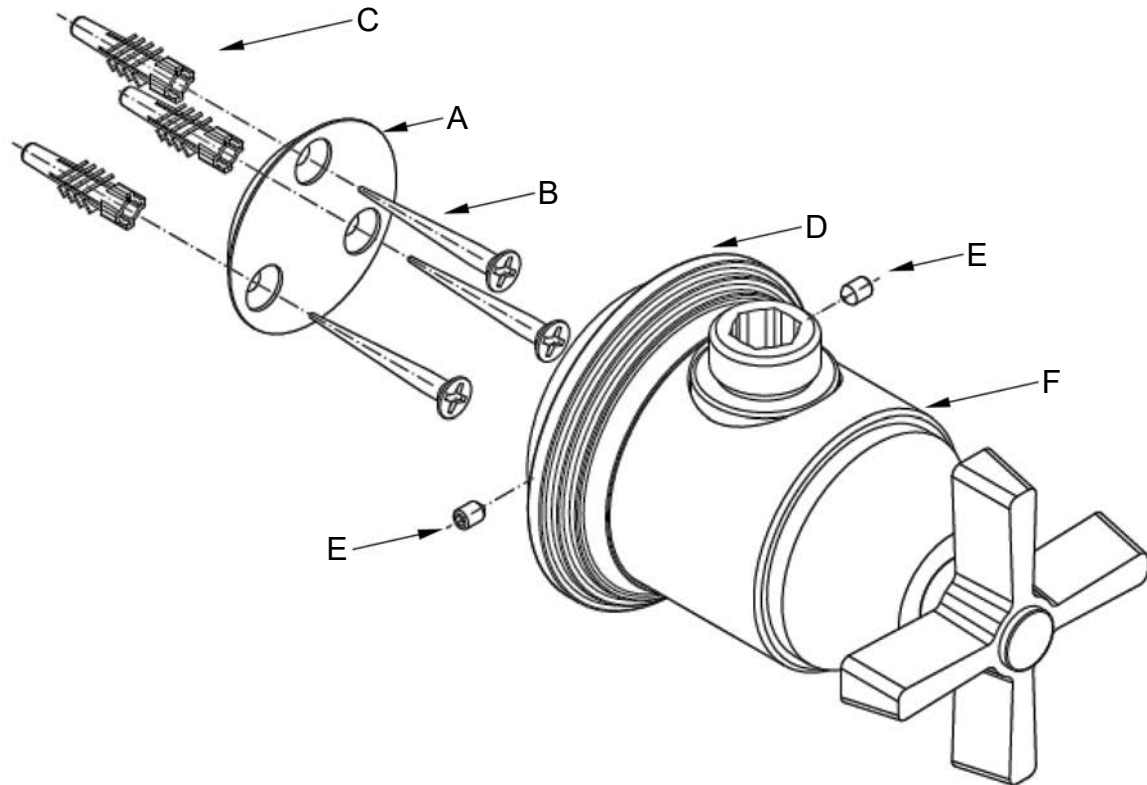
2. Adjust the position of the offset connectors (A) as required to allow fitting of thermostatic valve (B) and elbows (C) - See dimension (X)
3. Screw the elbows (C) onto the offset connectors (A)
4. Set the valve body escutcheon (D) into the required position, ensuring it is in line with the elbows (C), then mark & drill screw holes
5. Insert wall plugs to drilled holes and fix the valve body escutcheon (D) into position using screws (E) provided.
6. It is essential that the valve body is used to ensure correct positioning, taking care not to damage its surface finish in the process.



Claybrook.



7. Push the thermostatic valve (B) between the elbows (C) and into the valve body escutcheon (D), ensuring the rubber washers (F) are captivated.
8. Secure thermostatic valve (B) to escutcheon (D) with two grub screws (G) in the escutcheon using Allen key provided.
9. Using a suitable spanner tighten the captive nuts (H), use a cloth to protect the surface finish of the captive nuts (H).



Note: This unit is intended for use with VCS640 exposed ½” Thermostatic Shower Valve. Please refer to this fitting instruction in conjunction with the VCS640 fitting instructions.

1. Using the chassis plate as a template mark the screw holes in the desired location. Install the wall plugs (C) and screw chassis plate (A) to the wall with screws (B) provided.
2. Slide the escutcheon (D) up the volume control body (F) to expose grub screws (E).
3. Position the volume control body onto chassis ensuring alignment with any other products. Using the Allen key provided screw the grub screws home to secure the volume control body in position.
4. Slide the escutcheon back down into its original position to obscure grub screws.



Claybrook.

CARE & MAINTENANCE

VCS663/VCS654M/B HAND SHOWER/SHOWER ROSE

Your shower head/hand shower should be cleaned on a regular basis. Allowing lime scale/debris build up will impede the shower head/hand shower effectiveness. With the "easy clean" rose the cleaning procedure entails simply rubbing the palm of one's hand across the rubber nozzles, freeing any lime scale/debris, this can then be cleaned off by using a damp cloth.

Care should be taken when cleaning the "easy clean" rose as excessive force may damage the rubber nozzles.

With a standard shower head the water dispersal holes should be cleaned by gently clearing the holes, a suitably sized needle will be ideal for this procedure and allow the lime scale/debris to be dislodged with ease, before then cleaned off by using a damp cloth. In hard water areas it will be necessary to carry out these procedures on a regular basis but will mean that this product will operate at its optimum level for many years.



Claybrook.

IMPORTANT NOTES

1. Installation should be carried out by a competent engineer, in accordance with water regulations.
2. Before installation, ensure supply pipes are flushed clean. Debris or loose particles will affect the efficiency of the ceramic disc cartridge.
3. For mixer taps, it is recommended that hot & cold pressures are equally balanced.
4. To help maintain the high quality finish, please clean with a soft damp cloth. Do not use abrasive polish or cleaners. Stains may be removed using undiluted washing up liquid.
5. Ceramic cartridges in hard water areas. To prolong the lifespan and reduce servicing periods of your tap we recommend that a suitable water softener be fitted. Consult your installer/designer for details.
6. Please note that as with all tap and shower ware it will be necessary from time to time for the products to be serviced, this should be carried out by a qualified Plumbing Engineer.

**Claybrook
123 Curtain Road
Shoreditch
London
EC2A 3BX**

Tel: 020 7052 1555

8-40297-CS