



Claybrook.

Hand Shower Bracket & Flow Control Valve

Customer Installation and Homeowner Guide

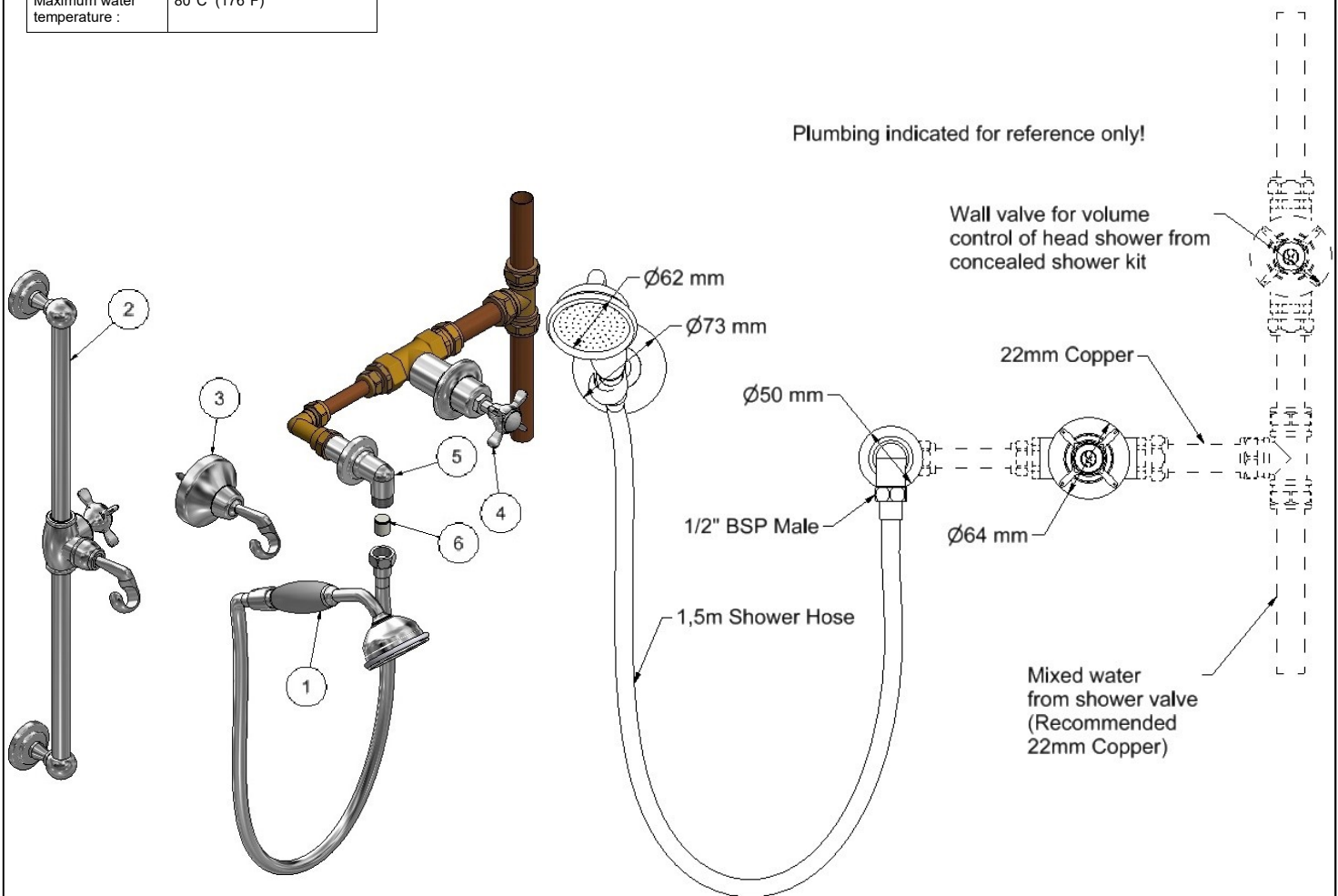
| PRODUCT CODE | BRACKET | FINISH |
|--------------------|---------|---------|
| SHO-ALB-CON-HDS-CH | Fixed | Chrome |
| SHO-ALB-CON-HDS-PN | Fixed | Nickel |
| SHO-ALB-CON-HDS-BN | Fixed | Brushed |
| SHO-ALB-CON-SLR-CH | Slider | Chrome |
| SHO-ALB-CON-SLR-PN | Slider | Nickel |
| SHO-ALB-CON-SLR-BN | Slider | Brushed |

Specification Data

| | |
|------------------------------|--|
| Minimum flow pressure : | 0.5 Bar (7.25 PSI) |
| Recommended flow pressure : | 1 - 5 bar (14.5 - 72.5 PS) For pressure greater than 5 bar fit a pressure reducing valve |
| Maximum operating pressure : | 10 bar (145 PSI) |
| Test pressure : | 10 bar (145 PSI) |
| Maximum water temperature : | 80°C (176°F) |

The Claybrook hand shower and flow control is designed to be fitted as an extension of the Claybrook Concealed Thermostatic Shower (SHO ALB CON TSR).

When installing please make reference to the installation instructions for SHO ALB CON TSR.



Packing List

| Item | Description | Qty |
|-------|---|-------|
| 1 | Hand Shower & Hose | 1 |
| 2 | Sliding Station Bracket (SHO ALB CON SLR) | 1 / 0 |
| 3 | Fixed Wall Bracket (SHO ALB CON HDS) | 1 / 0 |
| 4 | Wall Valve Trim & Rough | 1 |
| 5 & 6 | Outlet Elbow & Check Valve | 1 |

Claybrook

123 Curtain Road
Shoreditch
London
EC2A 3BX

Tel 020 7052 1555

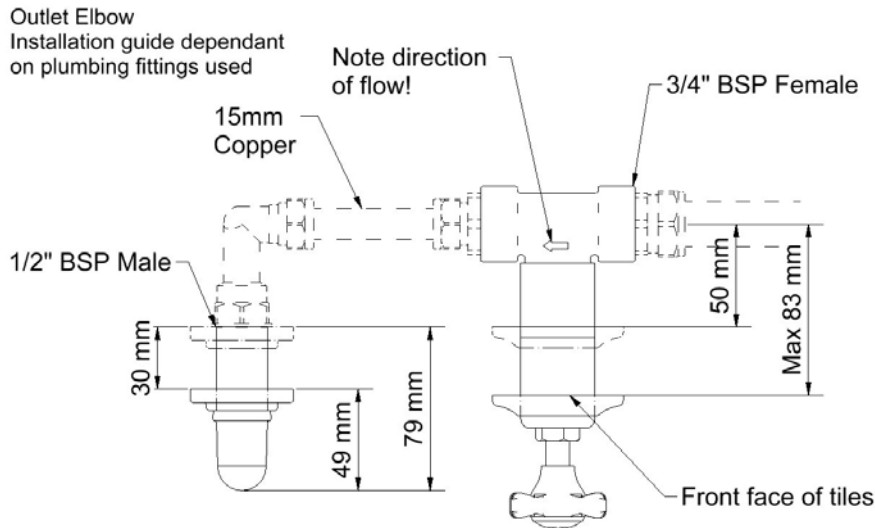


Claybrook.

Hand Shower Bracket & Flow Control Valve

| PRODUCT CODE | BRACKET | FINISH |
|--------------------|---------|---------|
| SHO-ALB-CON-HDS-CH | Fixed | Chrome |
| SHO-ALB-CON-HDS-PN | Fixed | Nickel |
| SHO-ALB-CON-HDS-BN | Fixed | Brushed |
| SHO-ALB-CON-SLR-CH | Slider | Chrome |
| SHO-ALB-CON-SLR-PN | Slider | Nickel |
| SHO-ALB-CON-SLR-BN | Slider | Brushed |

Installation Guide - Wall Valve & Elbow



Installation: Wall Valve & Rough

1. Remove the trim from the valve rough and place the card templates over the valves.
2. Install the 3/4" valve rough into the wall ensuring that the direction of flow is as indicated on the rough body, failure to adhere to this will damage the valve. The valve rough must be installed with reference to the plumbing depth dimensions shown on above.
3. Plaster (and tile) around the template provided.
4. Remove the template and with the **flange** over the **trim cover** push the whole trim assembly onto the valve rough. Ensure the female splined section of the trim assembly fully engages with the male spline of the **wall valve**.
5. Screw the **trim covers** onto the valve roughs and tighten carefully.
6. Slide the **flange** back so that it is flush with wall. Use an appropriate silicone sealant to secure as required.

Installation: Elbow Outlet

1. Arrange your in-wall plumbing so that the **elbow** is positioned at an appropriate height for your particular installation and install the **elbow** into the wall paying particular attention to dimensions in the diagram above.
2. The **escutcheon** is adjustable on the **elbow union** so that a neat installation can be achieved without the need to precisely position the internal pipework. The **elbow union** should be connected to a 1/2" BSP male connector.
3. Plaster (and tile) so that the 50mm diameter **escutcheon** will cover the rough area.
4. Screw the assembly onto the plumbing connection with the **escutcheon** positioned over the **elbow union**. Tighten the **elbow union** so that the outlet faces directly downwards. Use an appropriate plumbing sealant or tape to ensure a water tight seal.
5. Slide the **escutcheon** back so that it is hard against the wall. You may want to apply some silicone sealant to the back of the **Escutcheon**.
6. With the check valve in place inside the elbow, connect the **shower hose** to the **elbow** using the sealing washer supplied with the hose.

Installation Guide - Wall Bracket (SHO ALB CON HDS only)



Installation: Wall Bracket

1. Positioned at an appropriate height for your particular installation.
2. Disassemble the Wall Station Kit by unscrewing the arm and swivel joint from the covering shroud and remove the brass washer, spring and cone.
3. Using the raw plug and screw provided, drill hole and secure the shroud to the wall.
4. Replace the brass washer, spring and cone (in the same order as removed) and screw the arm and swivel joint back on to the shroud.
5. Position the arm in you favoured orientation and locate the hand shower.



Claybrook.

Hand Shower Bracket & Flow Control Valve

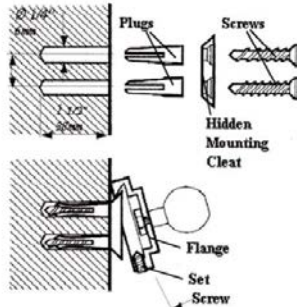
| PRODUCT CODE | BRACKET | FINISH |
|--------------------|---------|---------|
| SHO-ALB-CON-HDS-CH | Fixed | Chrome |
| SHO-ALB-CON-HDS-PN | Fixed | Nickel |
| SHO-ALB-CON-HDS-BN | Fixed | Brushed |
| SHO-ALB-CON-SLR-CH | Slider | Chrome |
| SHO-ALB-CON-SLR-PN | Slider | Nickel |
| SHO-ALB-CON-SLR-BN | Slider | Brushed |

Installation Guide - Sliding Rail (SHO ALB CON SLR only)

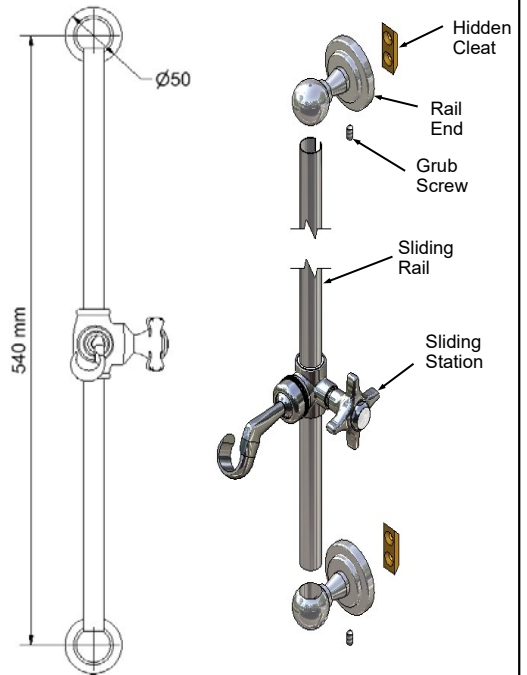
- Begin by affixing a piece of paper against the wall in the desired location for the bottom **rail end**. Assemble the **rail ends** onto the **sliding rail** and hold the complete assembly vertically against the wall on top of the piece of paper. Then mark the top vertical centreline of the **bottom rail end**.
- Remove the assembly and measure 16mm (5/8") directly down from the mark you have made on the paper, which is attached to the wall. This will become the position for the top hole for the **hidden cleat**.
- Drill the hole which has been marked, and then after removing the piece of paper from the wall, fix the **hidden cleat** in place with one screw in the top hole. Then mark the bottom hole of the **hidden cleat**, drill, and then fully fix the **hidden cleat** in place on the wall. (Screws and plugs are provided for mounting the **hidden cleat** onto a solid brick or stone wall, however a more appropriate method of fixing may be necessary depending on the structure of the wall. If you are using the screws and plugs provided then the holes should be drilled $\varnothing 6\text{mm}$ (1/4").
- Present the bottom **rail end** to the **hidden cleat** at a slight angle, so that the top of the **hidden cleat** engages the internal undercut in the back of the **rail end**.
- Push the **rail end** firmly against the wall, and tighten in place using the **grub screw**.
- Reassemble the **sliding rail** and top **rail end**, and carry out the same procedure for securing the top **hidden cleat** to the wall.
- Make sure the **sliding station** is in place on the **sliding rail**, then insert the rail into both **rail ends**, and attach the top **rail end** to the top **hidden cleat**, and tighten in place with the grub screw.



19 mm



16 mm



Homeowner Guide for Claybrook Showers

Please take a few minutes to study this Homeowners Guide.

All information on this sheet is based upon the latest product information at the time of publication. We reserve the right to make changes in product characteristics, packaging or availability at any time without notice.

CARE AND CLEANING

Brassware (General)

To maintain the pleasing appearance of your Claybrook Bathroom product you must perform periodic and frequent cleaning. For best results clean using a mild soap, rinse thoroughly with warm water and blot dry with a clean, soft cloth. Allowing water to evaporate on metal will form water deposits, which may eventually cause corrosion.

Under no circumstances should an abrasive cleaner or combination cleaner/polish be used on these products. The abrasive nature of such products will eventually destroy the finish and void the warranty.

In the event of stubborn blemishes shown on the finish, we recommend using a window cleaner with a soft cloth, but we do not recommend it be used on an everyday basis.

EXPLANATION OF FINISHES

Chromium Plate (Chrome)

This is the hardest wearing finish, perfect for use in all situations, including high traffic public areas in commercial buildings.

Polished Nickel

This is a hard wearing finish, but will require use of a metal polish if its original appearance is required. Alternatively, a wipe clean with a soft cloth will allow the nickel to oxidise, eventually resulting in a dull pewter-like effect.

Brushed Satin Nickel

This finish is subtle and will resemble old pewter. For best results clean using a mild soap, rinse thoroughly with warm water and blot dry with a clean, soft cloth.

Failure to comply with these cleaning instructions may void the Claybrook warranty obligations